



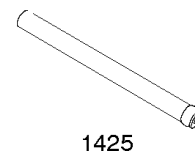
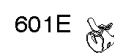
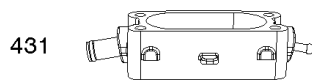
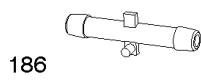
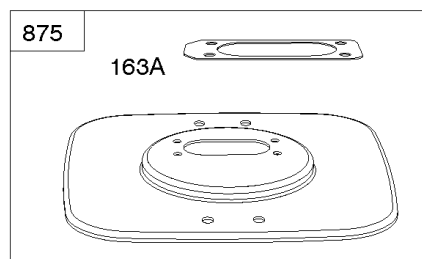
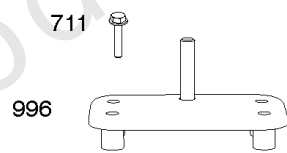
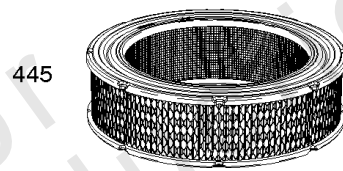
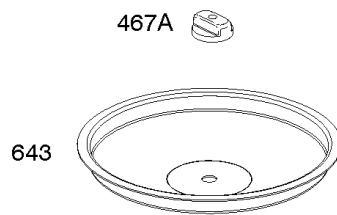
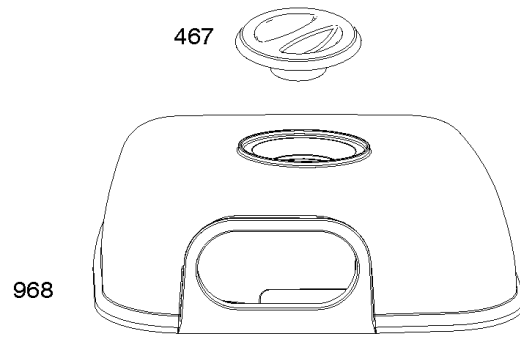
# Parts Manual

Mfg. No: 61E477-0002-J1



<b>Model Components</b>	<b>Page</b>
Air Cleaner.....	4
Blower Housing, Carburetor Covers, Oil Cooler.....	6
Crankcase Covers, Camshaft.....	8
Cylinder Heads, Rocker Arm Covers.....	10
Cylinder, Crankshaft, Piston/Rings/Rod.....	12
Engine Gasket Set, Valve Gasket Set.....	14
Exhaust System.....	16
Flywheel, Flywheel Fan, Air Guides.....	18
Intake Manifold, Throttle Body, Fuel System.....	20
Regulator, Alternator, Wires, ECU.....	22
Replacement Engine - US & Canada.....	24
Wire Harness, Fuel Module, Brackets.....	25
Model 54-61 Engine Accessories Catalog.....	27
Maintenance Kits.....	28
Lubrication.....	30
Oil Filter Side Outlet Mufflers.....	32
Center Outlet Mufflers.....	34
Starter Side Outlet Mufflers.....	36
Muffler Bracket Kits.....	38
Speed Control.....	40
Electrical.....	42
Stub Shafts.....	44
Spark Arrester/Deflector.....	46
Air Intake.....	48
Guarding.....	50
Electronic Throttle Kit.....	52

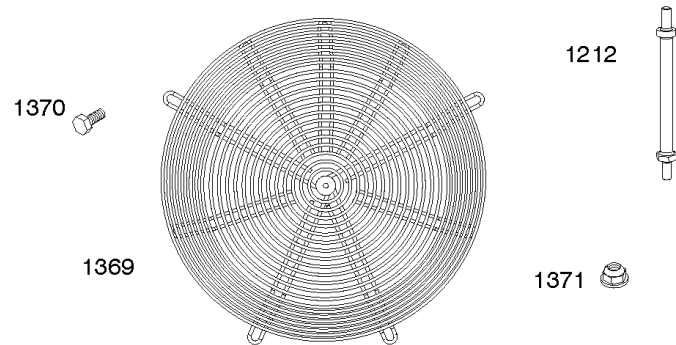
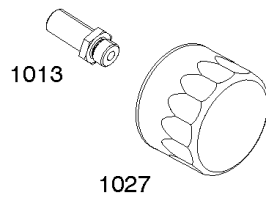
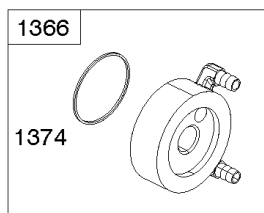
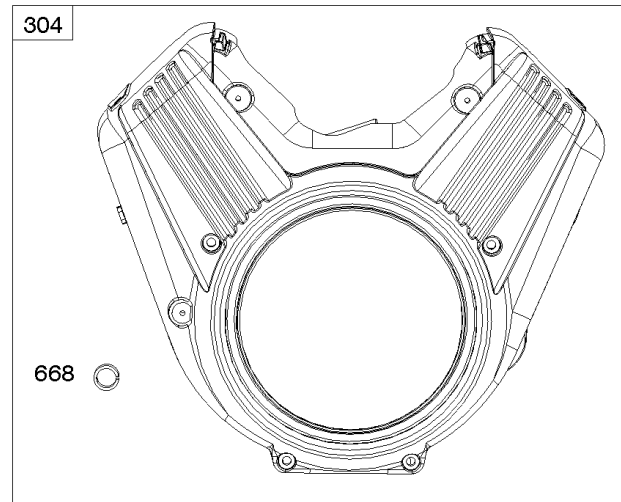
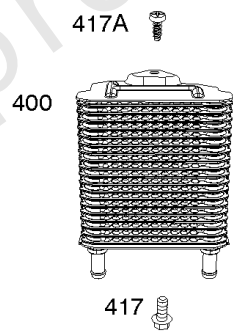
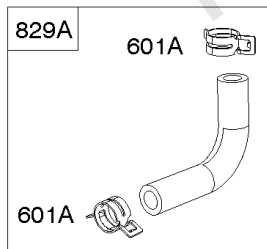
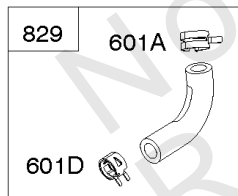
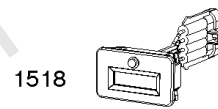
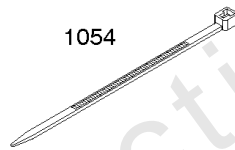
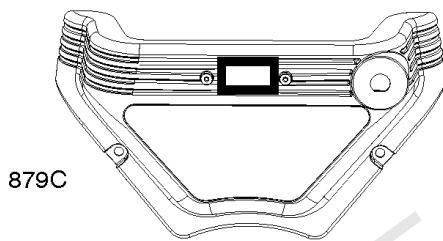
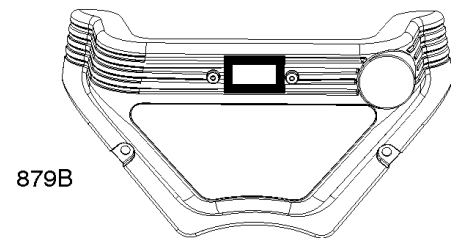
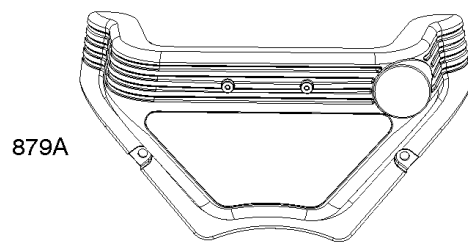
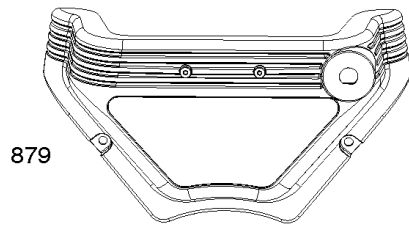
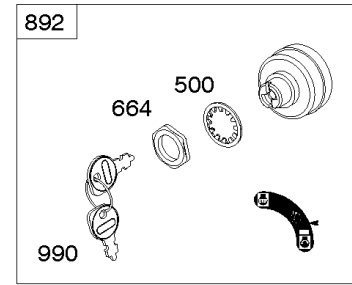
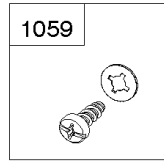
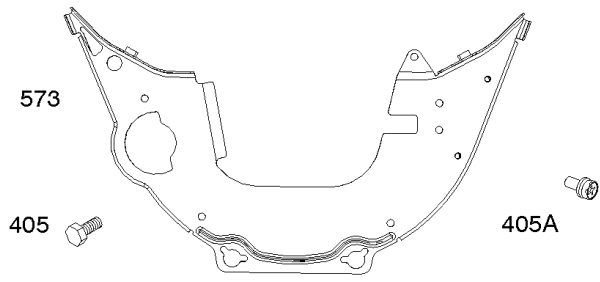
Not For  
Reproduction



## Air Cleaner

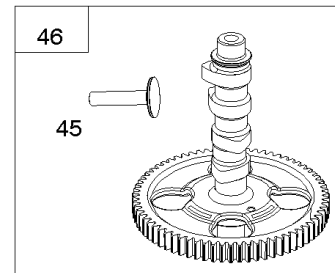
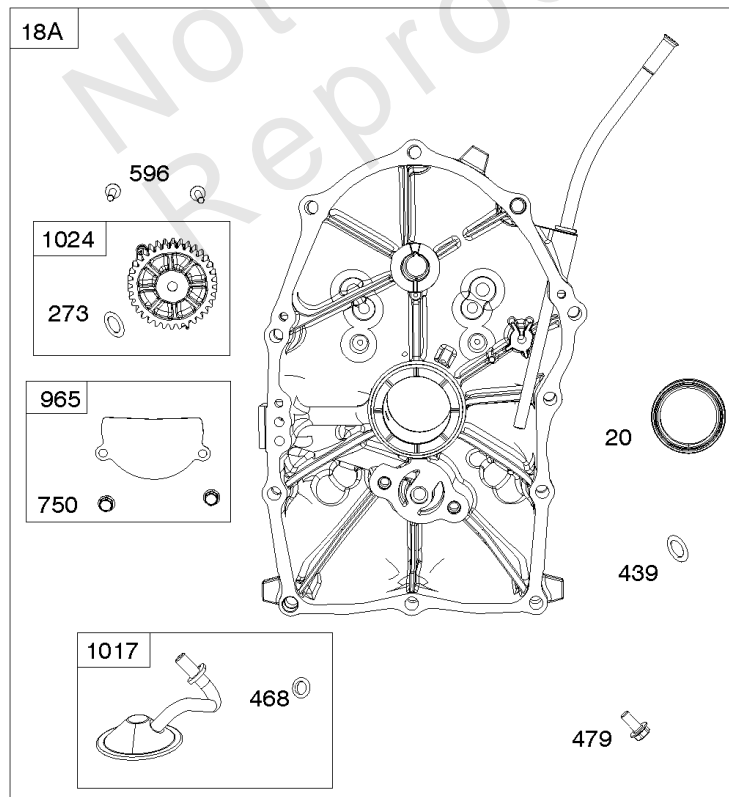
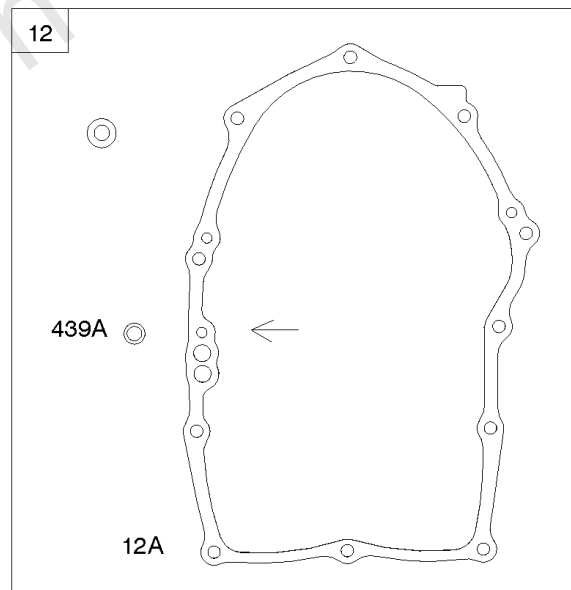
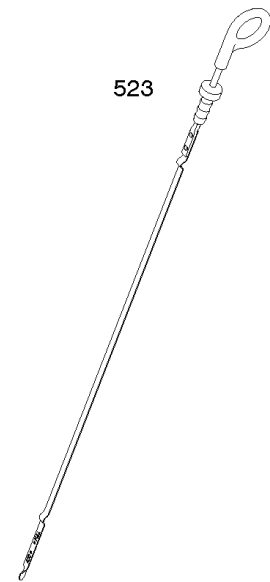
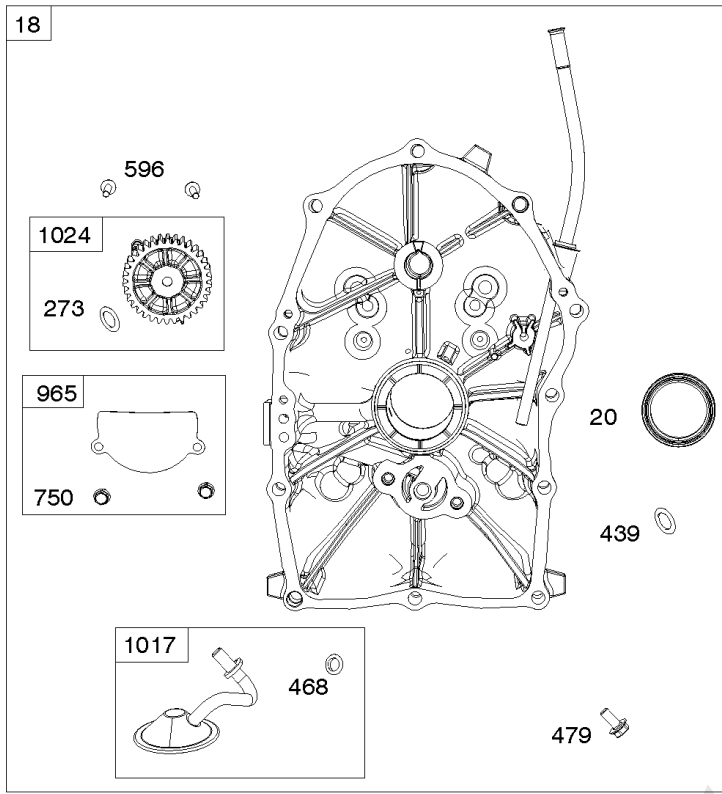
REF NO	PART NO	QTY	DESCRIPTION
163A	843117		GASKET, Air Cleaner
186	845121		CONNECTOR, Hose
431	846507		ELBOW, Intake
445	692519		FILTER, A/C Cartridge
467	846008		KNOB, Air Cleaner Cover
467A	846432		KNOB, Air Cleaner Cover
601E	846483		CLAMP, Hose -(Purge Line Hose)
643	844932		RETAINER, Air Cleaner
711	806444		SCREW -(Carburetor Shield) (M6x68mm)
875	843118		BASE, Air Cleaner
968	846323		COVER, Air Cleaner
971	692062		SCREW -(Air Cleaner Base to Carburetor/Throttle Body)
996	846006		SHIELD, Carburetor
1425	846514		HOSE, Purge Line

Not For Reproduction



## Blower Housing, Carburetor Covers, Oil Cooler

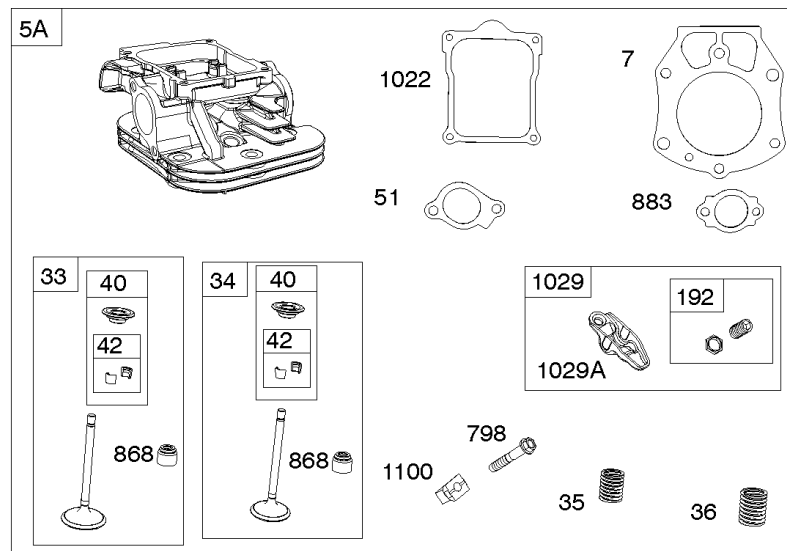
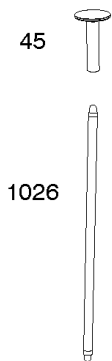
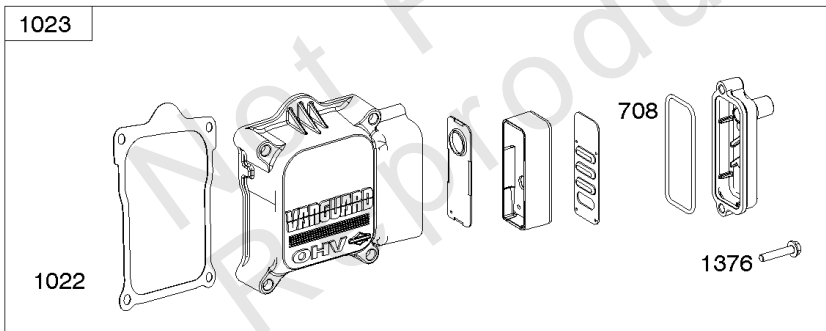
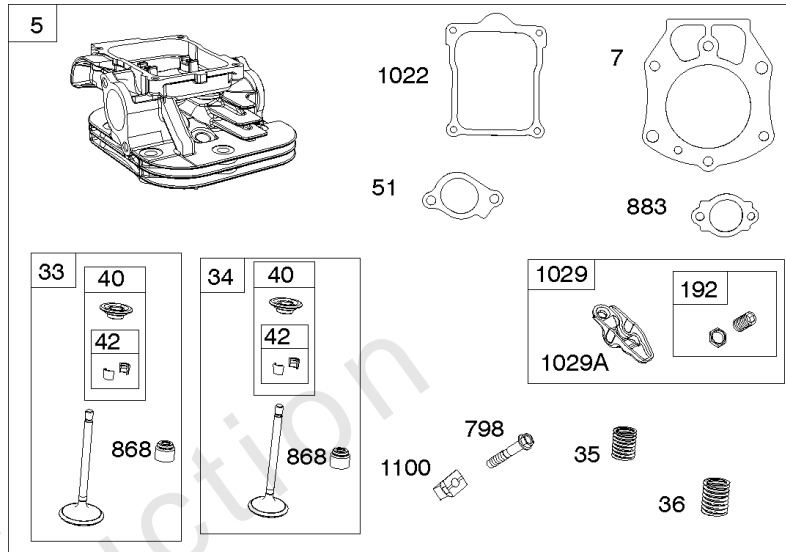
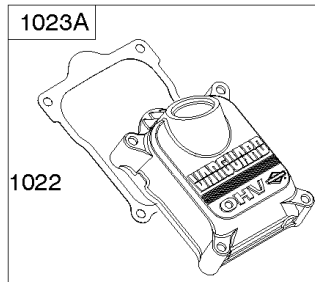
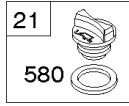
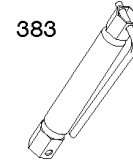
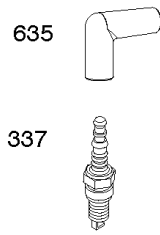
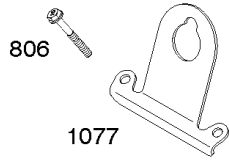
REF NO	PART NO	QTY	DESCRIPTION
304	846481		HOUSING, Blower -(Oil Cooler)
305	807435		SCREW -(Blower Housing) (M6x20mm)
400	846249		COOLER, Oil
405	841233		SCREW -(Back Plate) (M6x10mm)
405A	841735		SCREW -(Back Plate) (M6x14mm)
417	841233		SCREW -(Oil Cooler) (M6x10mm)
417A	846250		SCREW -(Oil Cooler) (M6x16mm)
500	691086		WASHER -(Key Switch)
573	846840		PLATE, Back
601A	841597		CLAMP, Hose -(Oil Cooler Hose)
601D	845209		CLAMP, Hose -(Oil Cooler Hose)
664	691087		NUT -(Key Switch)
668	841974		SPACER -(Blower Housing)
829	846247		HOSE, Oil Cooler
829A	846248		HOSE, Oil Cooler
879A	846480		COVER, Carburetor/EFI -(Without Key Switch)
892	692318		SWITCH, Key -(Includes Key Switch Label)
990	691959		SET, Key
1013	841602		NIPPLE, Oil Filter
1027	842921		FILTER, Oil
1054	280275		TIE, Cable -(Clear, Nylon)
1059	845300		KIT, Screw/Washer -(Carburetor/EFI Cover)
1212	809958		STUD -(Blower Housing)
1366	841510		DIVERTER, Oil Cooler
1369	842858		GUARD, Flywheel Fan
1370	841233		SCREW -(Flywheel Fan Guard)
1371	841537		NUT -(Flywheel Fan Guard)
1374	841506		SEAL, O-Ring -(Oil Cooler Diverter)





## ***Crankcase Covers, Camshaft***

<b>REF NO</b>	<b>PART NO</b>	<b>QTY</b>	<b>DESCRIPTION</b>
12	846037		GASKET, Crankcase -(Metal Core Gasket)
12A	843969		GASKET, Crankcase -(Metal Core Gasket)
18	846942		COVER, Crankcase
20	841596		SEAL, Oil -(PTO Side)
22	807362		SCREW -(Crankcase Cover/Sump) (M8x50mm)
45	809785		TAPPET, Valve
46	809879		CAMSHAFT
273	690681		SEAL, O-Ring -(Oil Pump)
439	692154		O-RING, Oil Gallery -(Crankcase Cover/Sump or Cylinder Assembly) (Cylinder)
439A	846027		O-RING, Oil Gallery -(Crankcase Cover/Sump or Cylinder Assembly)
468	690690		SEAL, O-Ring -(Oil Pump Screen)
479	807084		SCREW -(Oil Pump Screen)
523	841007		DIPSTICK
596	691492		SCREW -(Oil Pump)
750	841233		SCREW -(Oil Pump Cover)
965	809422		COVER, Oil Pump
1017	809421		SCREEN, Oil Pump
1024	845983		PUMP, Oil

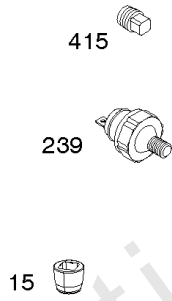
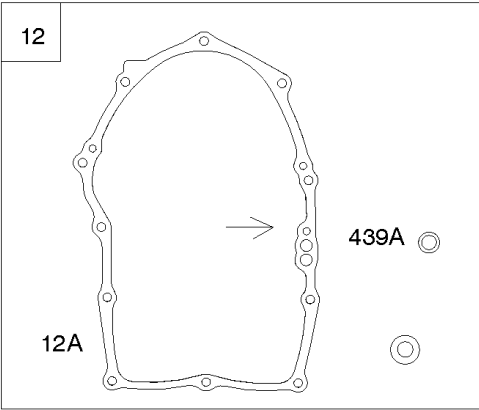
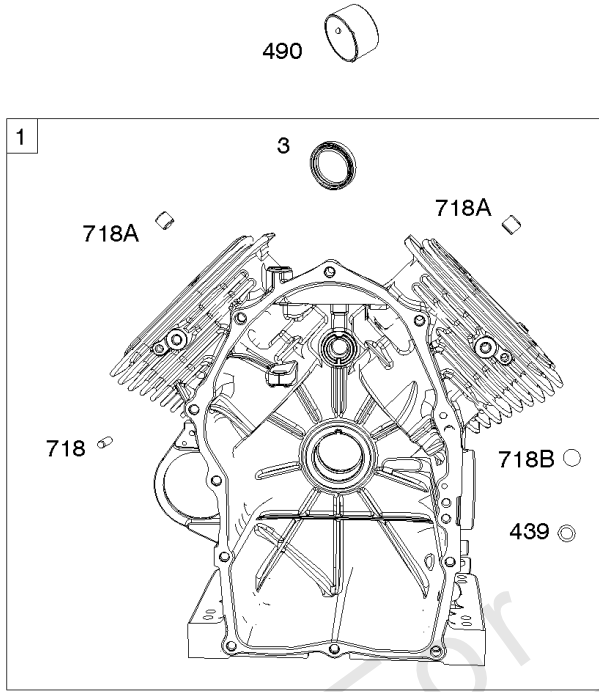


## Cylinder Heads, Rocker Arm Covers

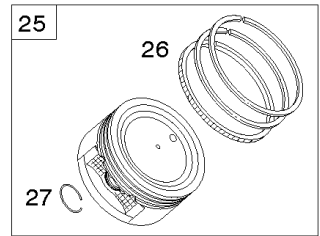
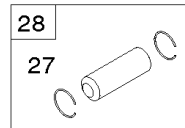
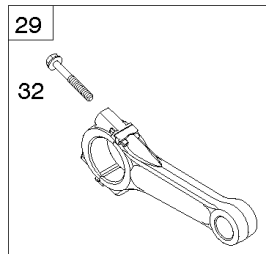
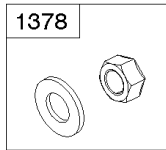
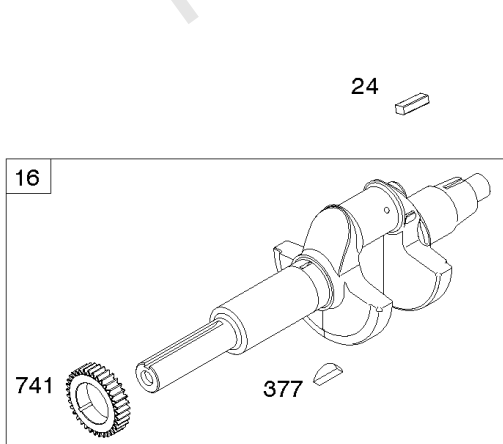
REF NO	PART NO	QTY	DESCRIPTION
5	846463		HEAD, Cylinder -(Cylinder 1)
5A	846464		HEAD, Cylinder -(Cylinder 2)
7	809730		GASKET, Cylinder Head
11	846502		TUBE, Breather -(Formed Hose)
13	809784		SCREW -(Cylinder Head) (M9x70mm)
21	843464		CAP, Oil Fill
33	844787		VALVE, Exhaust
34	846469		VALVE, Intake
35	845589		SPRING, Valve -(Intake) (Intake) (Pink)
36	845589		SPRING, Valve -(Exhaust) (Exhaust) (Pink)
40	844788		RETAINER, Valve
42	807683		KEEPER, Valve
45	809785		TAPPET, Valve
51	841592		GASKET, Intake -(Intake Manifold)
192	690083		ADJUSTER, Rocker Arm
337	491055S		PLUG, Spark
337	84007216		PLUG, SPARK -(China Only)
383	19576S		WRENCH, Spark Plug
580	809894		SEAL, O-Ring -(Oil Fill Cap)
601	844405		CLAMP, Hose -(Breather Tube)
635	692076		BOOT, Spark Plug
708	841301		SEAL, O-Ring -(Breather Reed)
798	691492		SCREW -(Rocker Arm)
806	807357		SCREW -(Lifting Bracket)
868	691963		SEAL, Valve
883	809872		GASKET, Exhaust
914	807357		SCREW -(Rocker Cover)
1022	809732		GASKET, Rocker Cover
1023	809789		COVER, Rocker -(Cylinder #2)
1023A	809731		COVER, Rocker -(Cylinder #1)
1026	809783		ROD, Push -(Intake and Exhaust)
1029	690972		ARM, Rocker
1029A	807323		ARM, Rocker
1077	809729		BRACKET, Lifting
1100	791959		PIVOT, Rocker Arm
1376	806421		SCREW -(Breather Reed Cover)

1036

1330

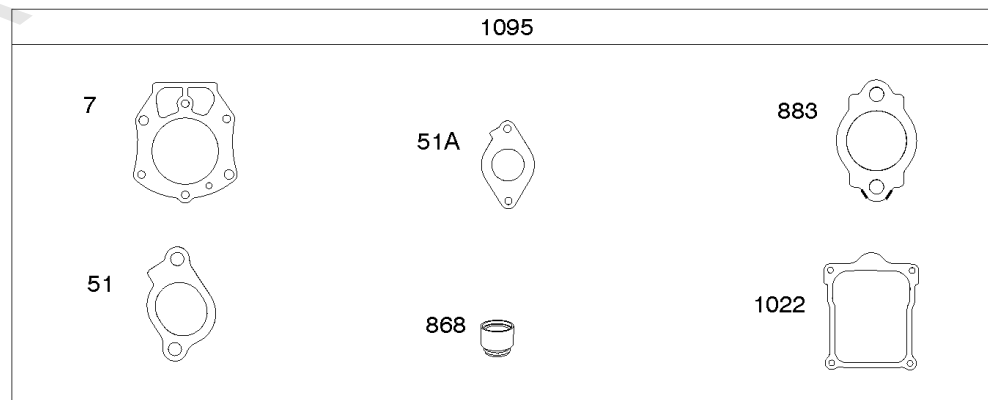
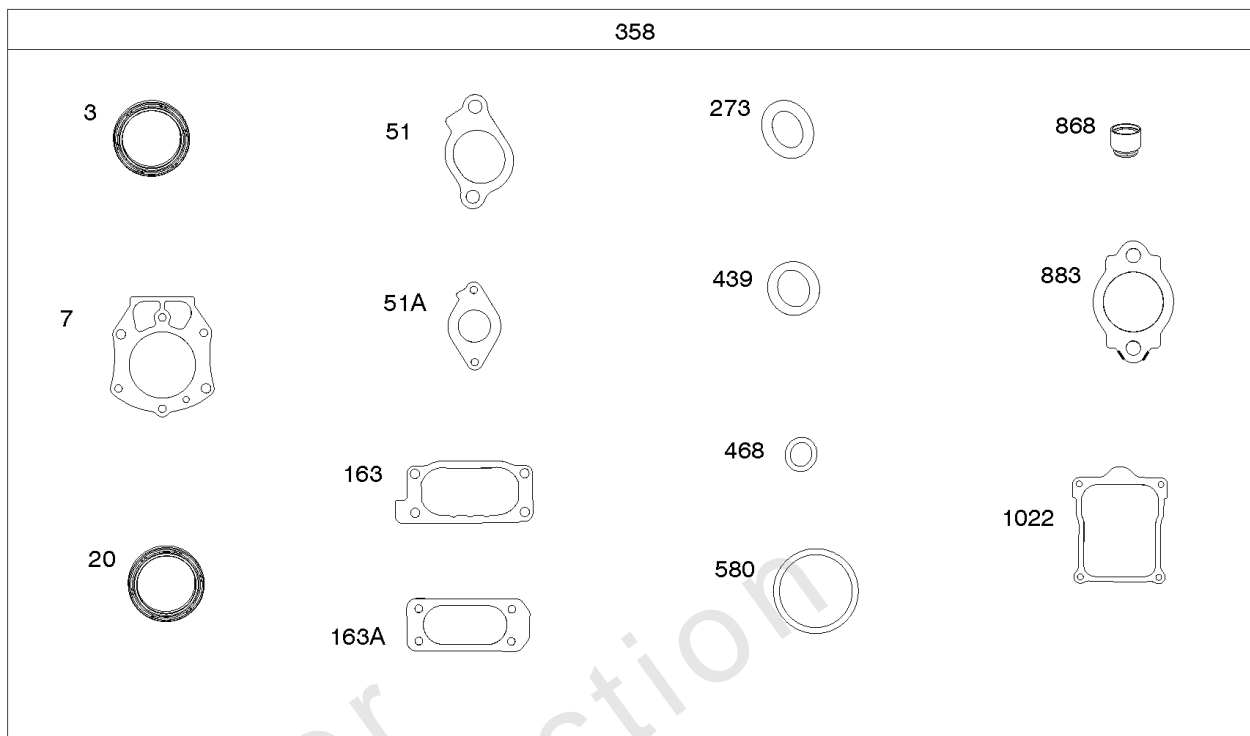


Not For  
Reproduction



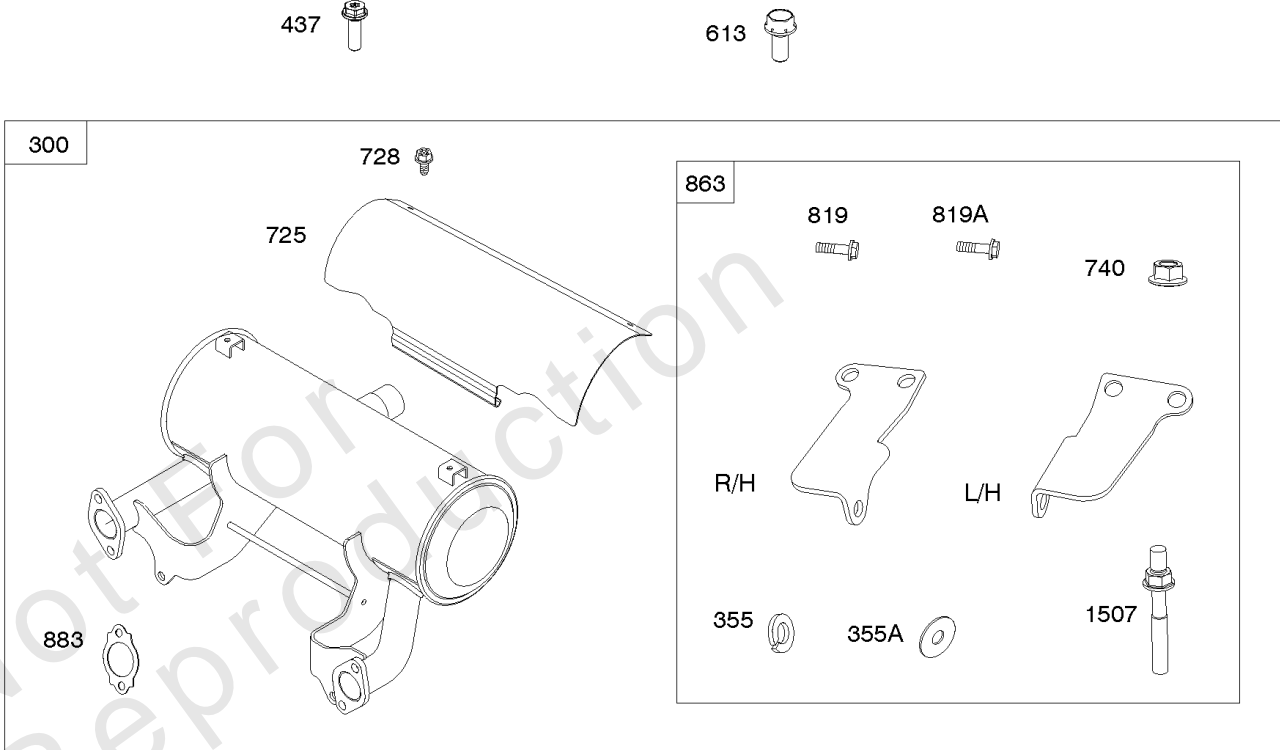
## Cylinder, Crankshaft, Piston/Rings/Rod

REF NO	PART NO	QTY	DESCRIPTION
1	846429		CYLINDER ASSEMBLY
3	841596		SEAL, Oil -(Magneto Side)
12	846037		GASKET, Crankcase -(Metal Core Gasket)
12A	843969		GASKET, Crankcase -(Metal Core Gasket)
15	691680		PLUG, Oil Drain
16	841839		CRANKSHAFT
24	796335		KEY, Flywheel -(Steel)
25	842939		PISTON ASSEMBLY -(.020 Oversize)
25	841837		PISTON ASSEMBLY -(Standard)
26	841932		SET, Ring -(.020 Oversize)
26	809972		SET, Ring -(Standard)
27	807351		LOCK, Piston Pin
28	807361		PIN, Piston
29	841838		ROD, Connecting
32	807363		SCREW -(Connecting Rod)
239	841281		SWITCH, Oil Pressure
377	691639		KEY, Woodruff
415	794903		PLUG -(Oil Pressure Switch)
439	692154		O-RING, Oil Gallery -(Crankcase Cover/Sump or Cylinder Assembly) (Cylinder)
439A	846027		O-RING, Oil Gallery -(Crankcase Cover/Sump or Cylinder Assembly)
490	843433		BEARING, Magneto Side
718	690959		PIN, Locating -(Cylinder)
718A	809508		PIN, Locating -(Cylinder Head)
718B	845925		PIN, Locating -(Cylinder)
741	809432		GEAR, Timing
1036	-----		Label-Emissions -(Available From A Briggs & Stratton Authorized Dealer)
1330	-----		Repair Manual -(Not Available At This Printing)
1378	844795		SET, Washer/Nut -(Flywheel)



## Engine Gasket Set, Valve Gasket Set

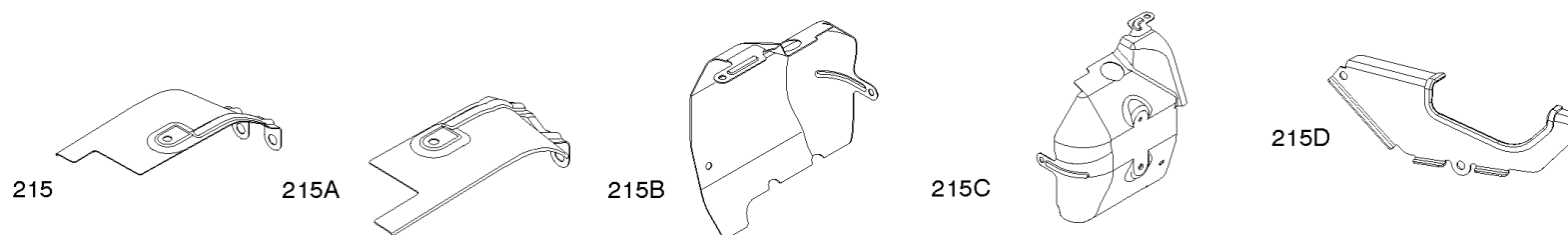
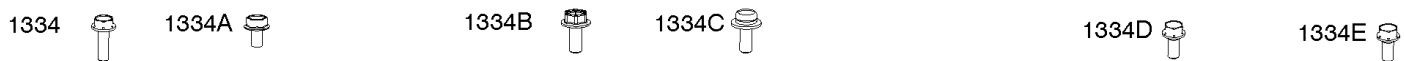
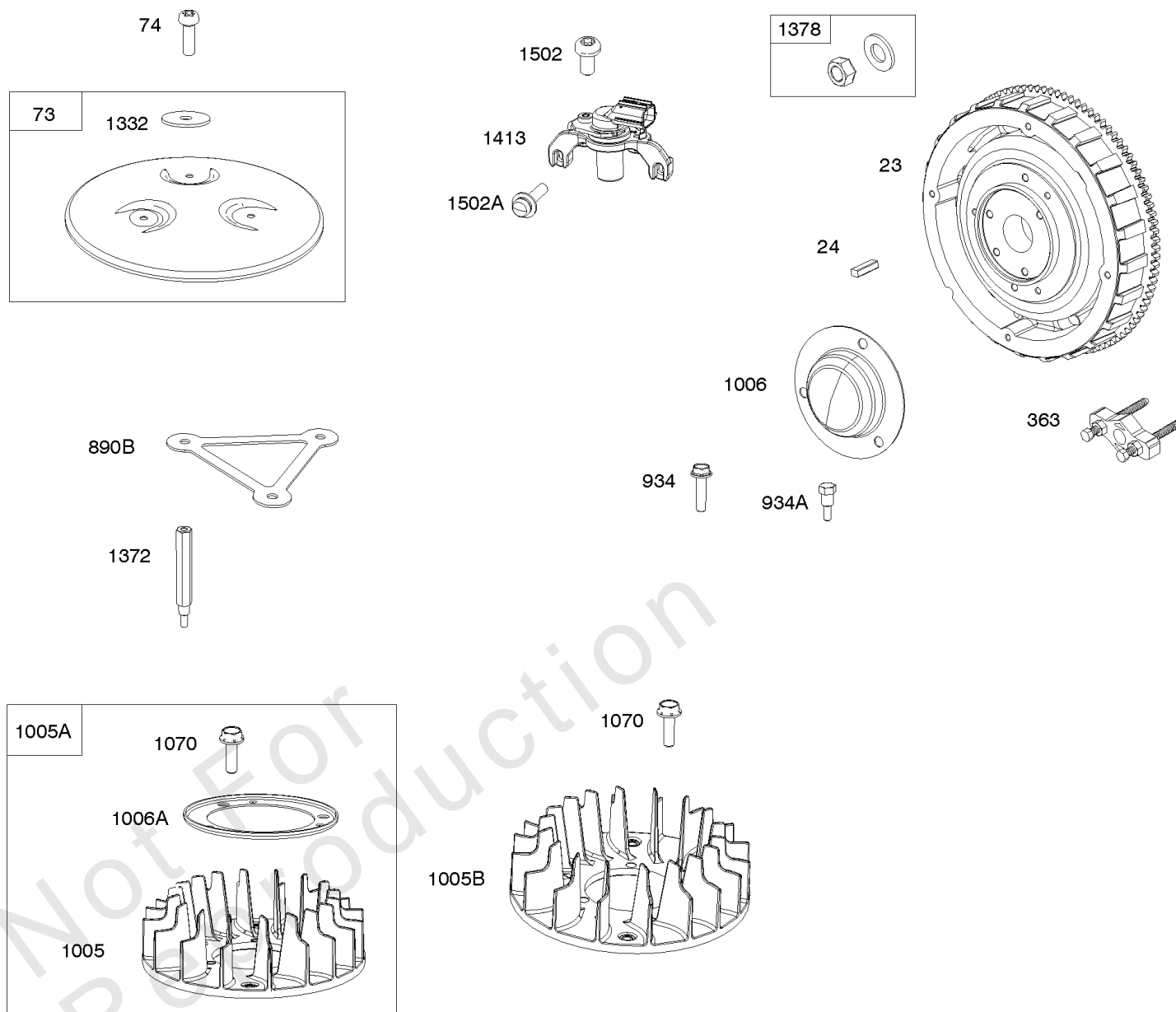
REF NO	PART NO	QTY	DESCRIPTION
3	841596		SEAL, Oil -(Magneto Side)
7	809730		GASKET, Cylinder Head
20	841596		SEAL, Oil -(PTO Side)
51	841592		GASKET, Intake -(Intake Manifold)
51A	846473		GASKET, Intake -(Intake Manifold/Throttle Body)
163	807375		GASKET, Air Cleaner
163A	843117		GASKET, Air Cleaner
273	690681		SEAL, O-Ring -(Oil Pump)
358	846671		GASKET SET, Engine
439	692154		O-RING, Oil Gallery -(Crankcase Cover/Sump or Cylinder Assembly) (Cylinder)
468	690690		SEAL, O-Ring -(Oil Pump Screen)
580	809894		SEAL, O-Ring -(Oil Fill Cap)
868	691963		SEAL, Valve
883	809872		GASKET, Exhaust
1022	809732		GASKET, Rocker Cover
1095	846672		GASKET SET, Valve





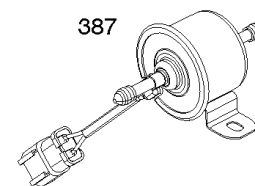
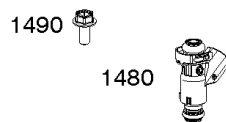
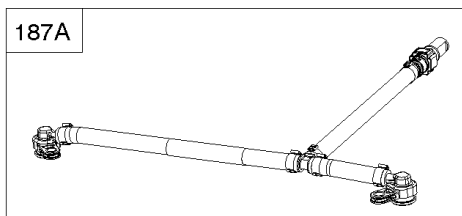
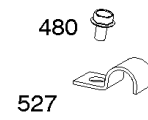
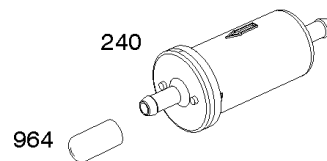
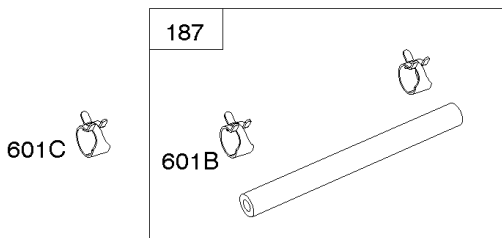
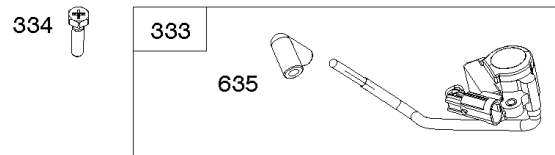
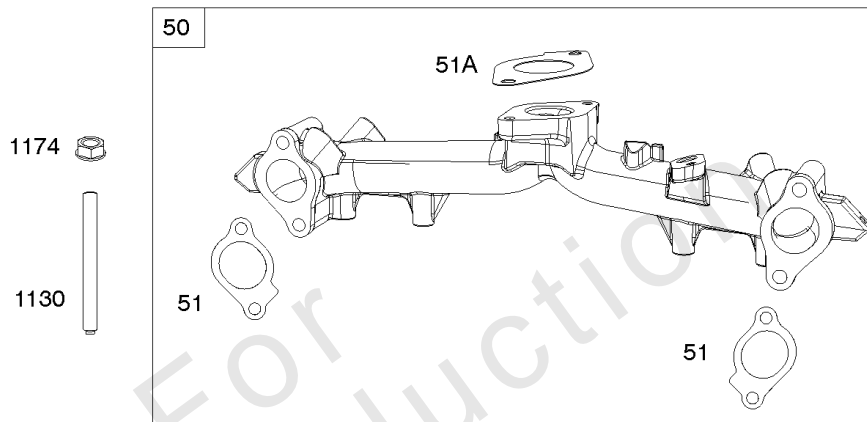
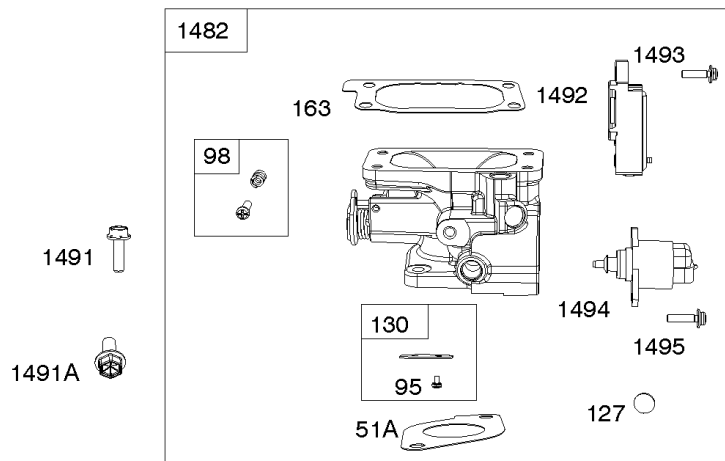
## Exhaust System

REF NO	PART NO	QTY	DESCRIPTION
300	846444		MUFFLER
355	844035		WASHER -(Muffler Bracket) (Flat Washer)
355A	691075		WASHER -(Muffler Bracket) (Lockwasher)
437	846149		SCREW -(Exhaust Manifold) (M8x25mm)
613	692062		SCREW -(Muffler) (M8x18mm)
725	841132		SHIELD, Heat
728	692067		SCREW -(Heat Shield) (M6x12mm)
740	690941		NUT -(Muffler Bracket)
819	692062		SCREW -(Muffler Bracket) (M8x18mm)
819A	807362		SCREW -(Muffler Bracket) (M8x50mm)
863	843487		BRACKET, Muffler
883	809872		GASKET, Exhaust
1507	846324		STUD -(Muffler Bracket)



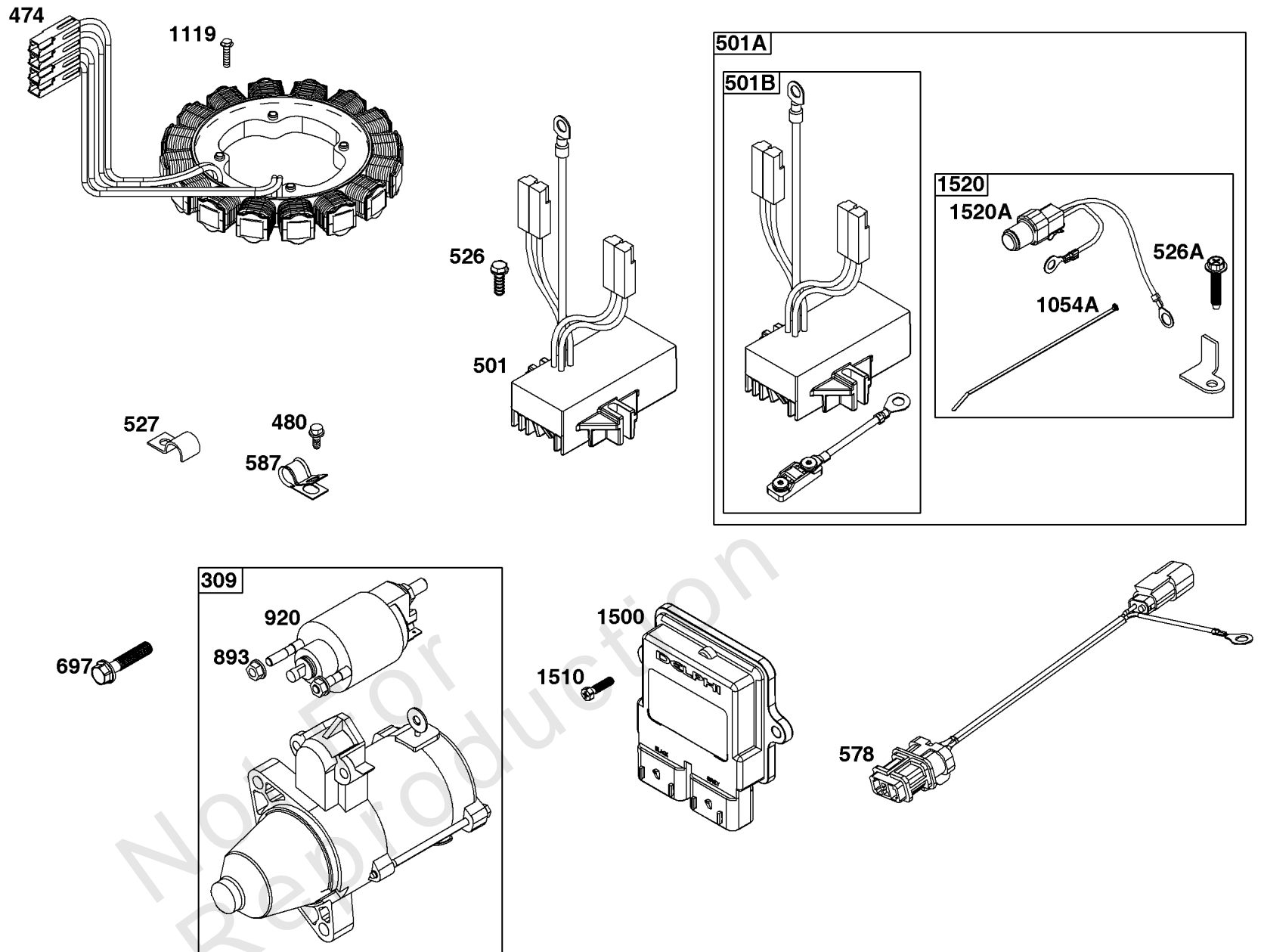
## Flywheel, Flywheel Fan, Air Guides

REF NO	PART NO	QTY	DESCRIPTION
23	846461		FLYWHEEL
24	796335		KEY, Flywheel -(Steel)
215	846455		GUIDE, Air -(Cylinder #1)
215A	846456		GUIDE, Air -(Cylinder #2)
215B	809897		GUIDE, Air -(Cylinder #2)
215D	846458		GUIDE, Air -(Valley)
215C	809738		GUIDE, Air -(Cylinder #1)
363	19203		PULLER, Flywheel
934	807421		SCREW -(Fan Retainer) (M6x25mm) -Used After Code Date 15080600
934A	841205		SCREW -(Fan Retainer) (M6x24mm) -Used Before Code Date 15080700
1005	846995		FAN, Flywheel -Used After Code Date 15080600
1005A	847199		FAN, Flywheel -Used Before Code Date 15080700
1006	846495		RETAINER, Fan -Used After Code Date 14093000
1006A	847198		RETAINER, Fan -Used Before Code Date 14100100
1070	807435		SCREW -(Flywheel Fan) (M6x20mm)
1332	809948		WASHER -(Rotating Screen)
1334	807435		SCREW -(Air Guide) (M6x20mm)
1334A	841233		SCREW -(Air Guide) (M6x10mm)
1334C	690677		SCREW -(Air Guide) (M4x12mm)
1334E	692056		SCREW -(Air Guide) (M8x14mm)
1334D	692062		SCREW -(Air Guide) (M8x18mm)
1334B	807084		SCREW -(Air Guide) (M6x14mm)
1372	809946		STUD -(Rotating Screen)
1378	844795		SET, Washer/Nut -(Flywheel)
1413	846457		SENSOR, Speed
1502	846459		SCREW -(Speed Sensor) (M5x10mm)
1502A	846868		SCREW -(Speed Sensor) (M4x18mm)



## Intake Manifold, Throttle Body, Fuel System

REF NO	PART NO	QTY	DESCRIPTION
50	846503		MANIFOLD, Intake
51	841592		GASKET, Intake -(Intake Manifold)
51A	846473		GASKET, Intake -(Intake Manifold/Throttle Body)
95	593897		SCREW -(Throttle Valve)
98	846477		KIT, Idle Speed
127	691742		PLUG, Welch
130	846476		VALVE, Throttle
163	807375		GASKET, Air Cleaner
187	791766		LINE, Fuel -(15 Inches Long)(Cut to Required Length)
187	791745		LINE, Fuel -(23 Inches )(Cut To Required Length)
187A	846475		LINE, Fuel
240	845125		FILTER, Fuel
333	84005190		ARMATURE, Magneto
334	841552		SCREW -(Magneto Armature) (M5x20mm)
387	846470		PUMP, Fuel
480	841233		SCREW -(Tube Clamp) (M6x10mm)
527	690423		CLAMP, Tube
601B	791850		CLAMP, Hose -(Green)
601C	691038		CLAMP, Hose -(Black)
635	692076		BOOT, Spark Plug
964	590799		CAP, Connector
1130	841590		STUD -(Intake Manifold)
1174	842067		NUT -(Intake Manifold)
1480	593852		INJECTOR, Fuel
1482	846474		BODY, Throttle
1486	593905		SENSOR, Temperature/Manifold Absolute Pressure (MAP)
1489	807435		SCREW -(TEMP/MAP Sensor) (Intake Manifold)
1490	807084		SCREW -(Fuel Injector)
1491	807435		SCREW -(Throttle Body) (M6x20mm)
1491A	807084		SCREW -(Throttle Body) (M6x14mm)
1492	846478		SENSOR, Throttle
1493	847169		SCREW -(Throttle Sensor)
1494	846479		VALVE, Idle Air
1495	847169		SCREW -(Idle Air Valve)



## Regulator, Alternator, Wires, ECU

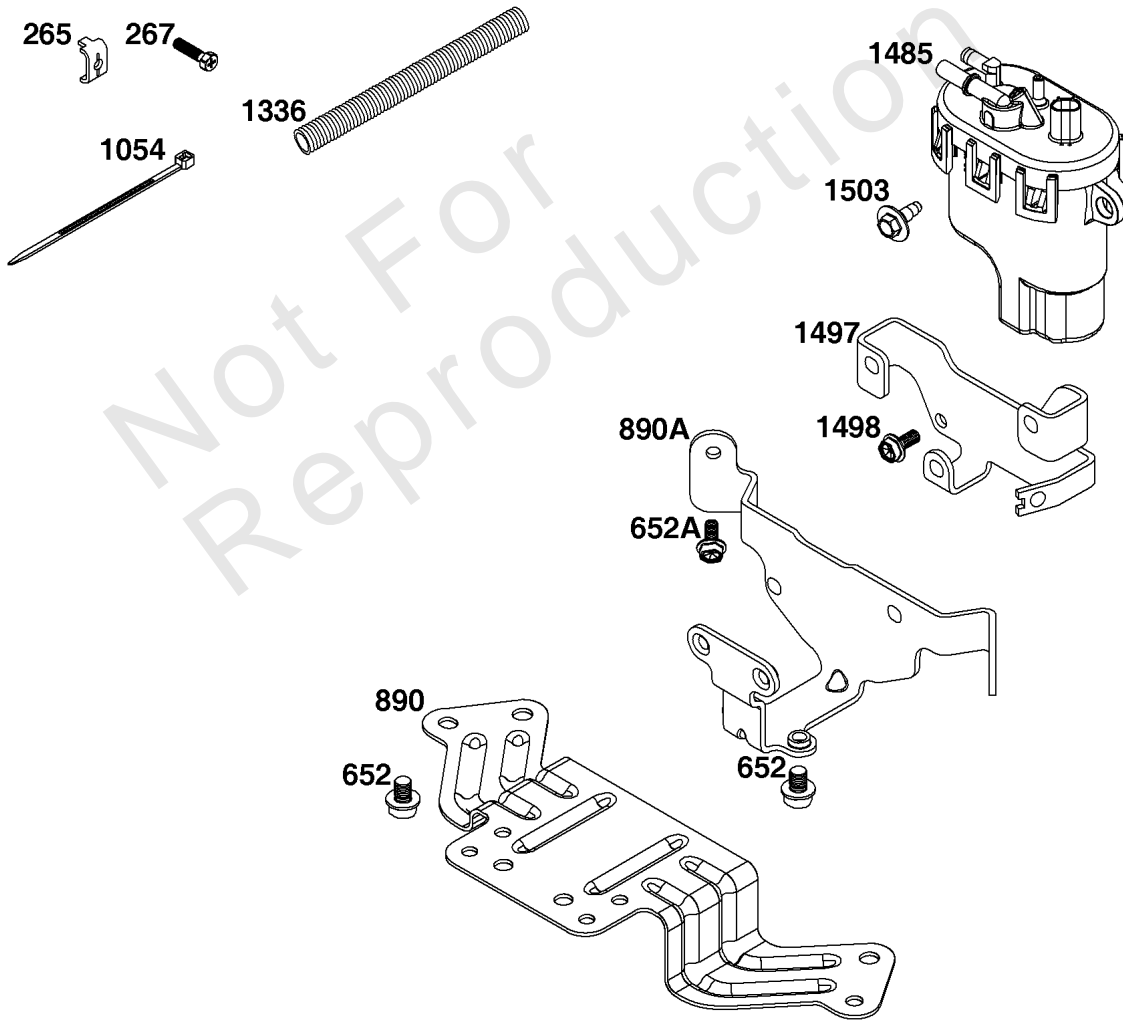
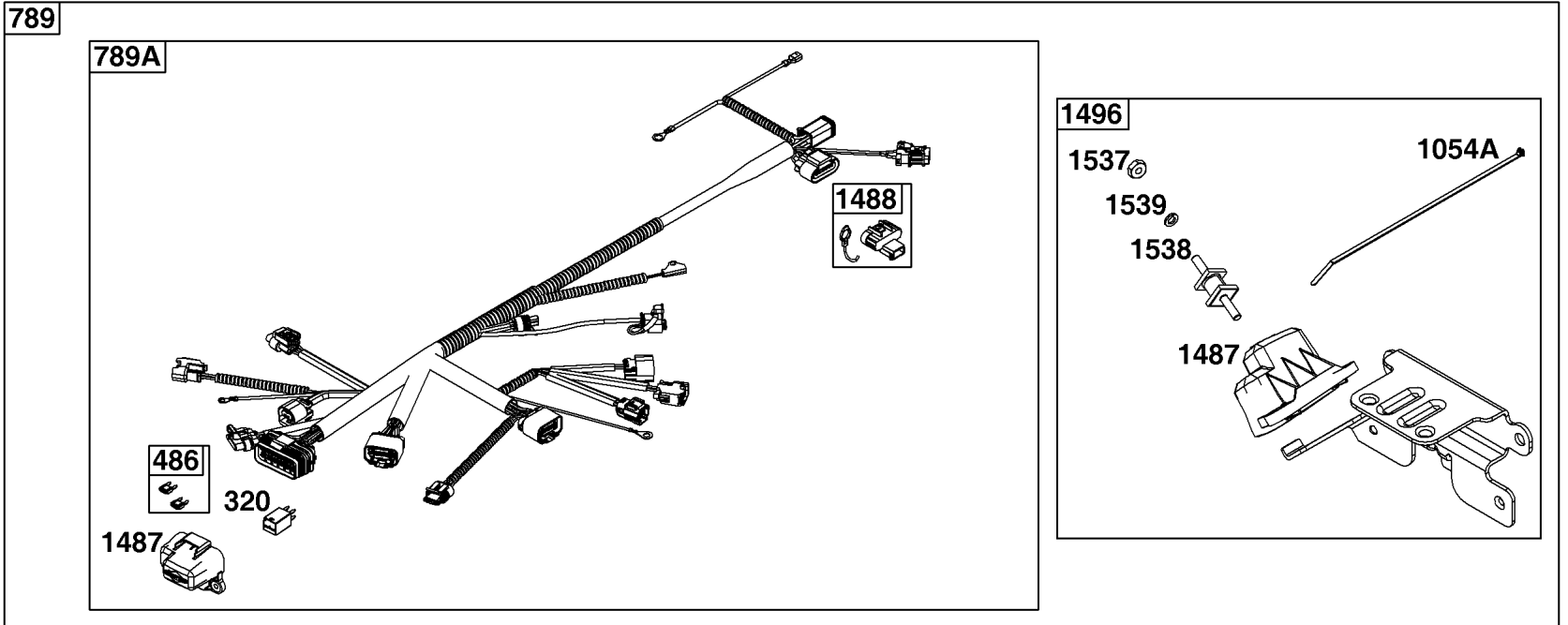
REF NO	PART NO	QTY	DESCRIPTION
309	845760		MOTOR, Starter
474	841178		ALTERNATOR
480	841233		SCREW -(Tube Clamp) (M6x10mm)
501	848220		REGULATOR -Used Before Code Date 17060100
501A	848221		REGULATOR -Used After Code Date 17053100 -Used Before Code Date 18021200
501B	848187		REGULATOR -Used After Code Date 18021100
526	847149		SCREW -(Regulator) (M6x32mm) -Used After Code Date 16022900
526A	690717		SCREW -(Regulator) (M6x30mm) -Used Before Code Date 16030100
527	690423		CLAMP, Tube
578	846423		WIRE ASSEMBLY
587	807116		CLAMP, Tube
697	690711		SCREW -(Starter Motor) (Drive Cap) (M8x38mm)
893	845758		NUT -(Starter Solenoid)
920	846737		SOLENOID, Starter
1054A	861206		TIE, Cable -(Black, Nylon)
1119	691552		SCREW -(Alternator)
1500	846484		MODULE, Electronic Control -(Not Programmed) (Not Programmed)
1510	841552		SCREW -(Electronic Control Module) (M5x20mm)
1520	847148		CAPACITOR
1520A	847147		CAPACITOR

## Replacement Engine - US & Canada

REF NO	PART NO	QTY	DESCRIPTION
	61E4770007	1	Replacement Engine
	791244	1	Replacement Short Block
	-----		Top No-Load Speed: 4750 -Trim: ALL
	-----		Service Note: P/N 848080 Governor Stop required when using Short Block.

Not For Reproduction





## Wire Harness, Fuel Module, Brackets

REF NO	PART NO	QTY	DESCRIPTION
265	691024		CLAMP, Casing -(Control Bracket)
267	841552		SCREW -(Casing Clamp) (M5x20mm)
320	593902		RELAY(S) -(Wire Harness)
486	593901		FUSE
652	845964		SCREW -(Support Bracket) (M6x10mm)
652A	807084		SCREW -(Support Bracket) (M6x14mm)
789	847336		HARNESS, Wiring -Before Code Date 16080100
789A	846867		HARNESS, Wiring -After Code Date 16073100
890	846493		BRACKET, Support -(Fuel Module Heat Shield)
890A	846506		BRACKET, Support -(Fuel Module)
1054	280275		TIE, Cable -(Clear, Nylon)
1054A	861206		TIE, Cable -(Black, Nylon)
1336	841015		SHIELD, Wire Protective -(Cut To Required Length)
1485	593890		MODULE, Fuel
1487	847334		COVER, Fuse
1488	593899		COVER, Diagnostic
1496	847337		COVER, Fuse Kit
1497	846505		BRACKET, Fuel Module
1498	807084		SCREW -(Fuel Module Bracket)
1503	594618		SCREW -(Fuel Module) (1/4-20x.5)
1537	703460		NUT, Hex #8-32 -(Fuse Cover)
1538	847332		STUD -(Fuse Cover)
1539	847333		WASHER -(Fuse Cover)



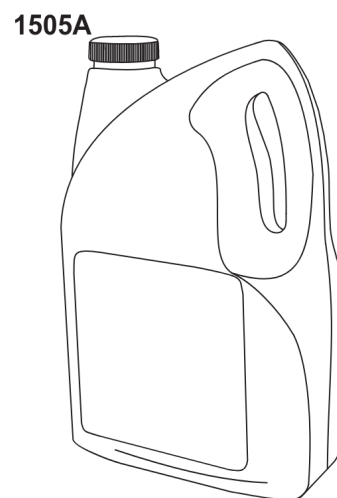
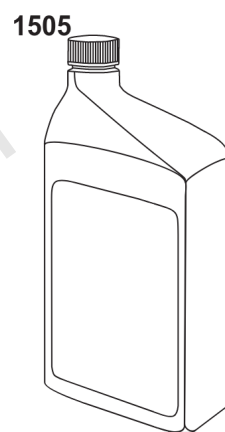
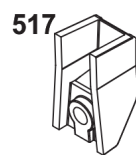
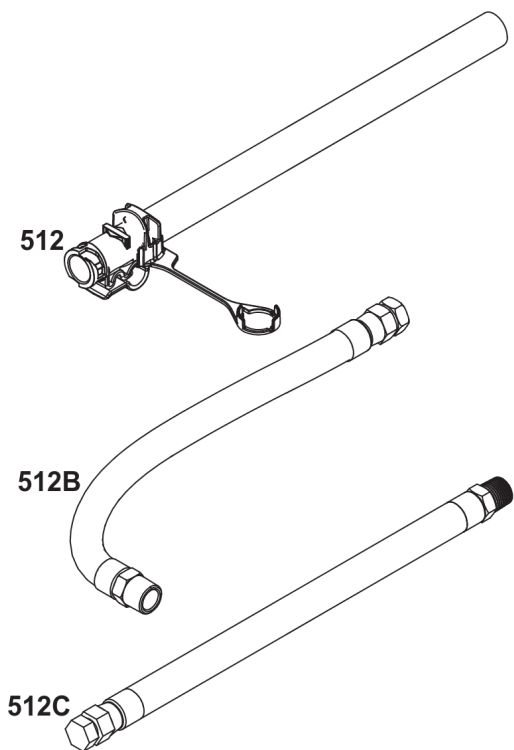
# Model 54-61 Engine Accessories Catalog

Not For  
Reproduction



## Maintenance Kits

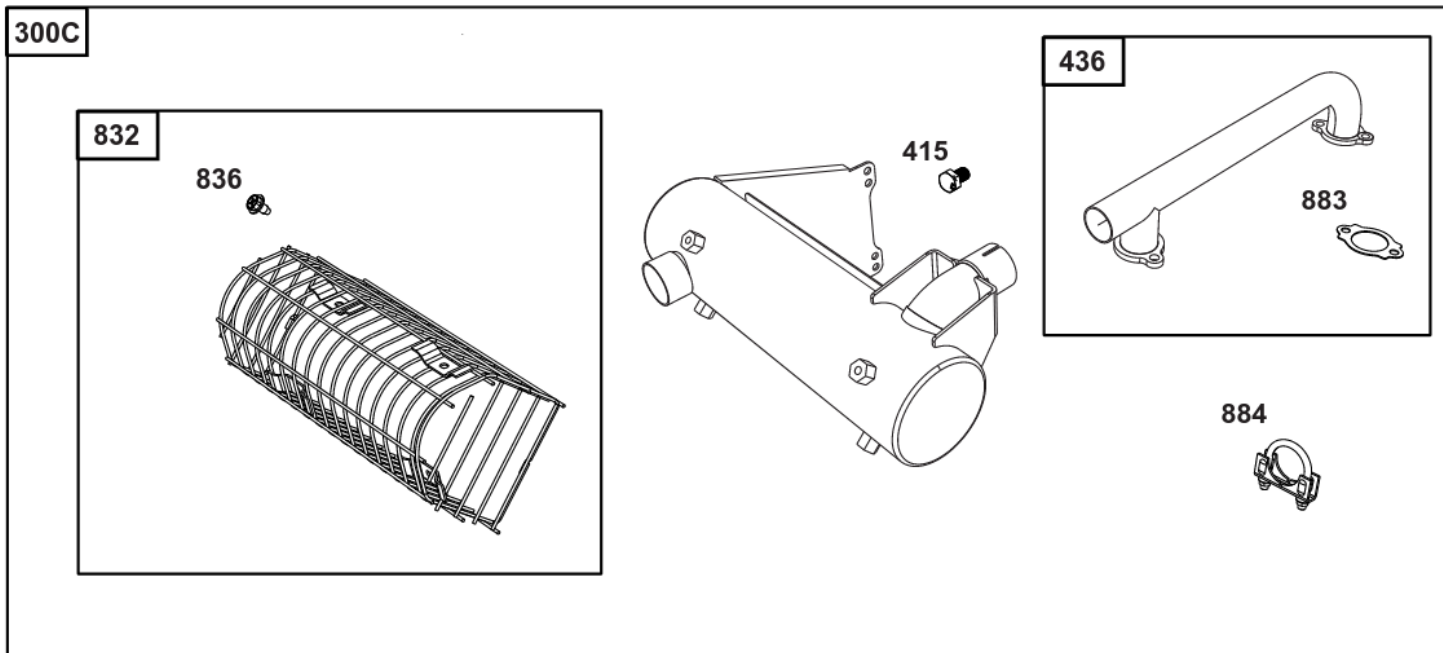
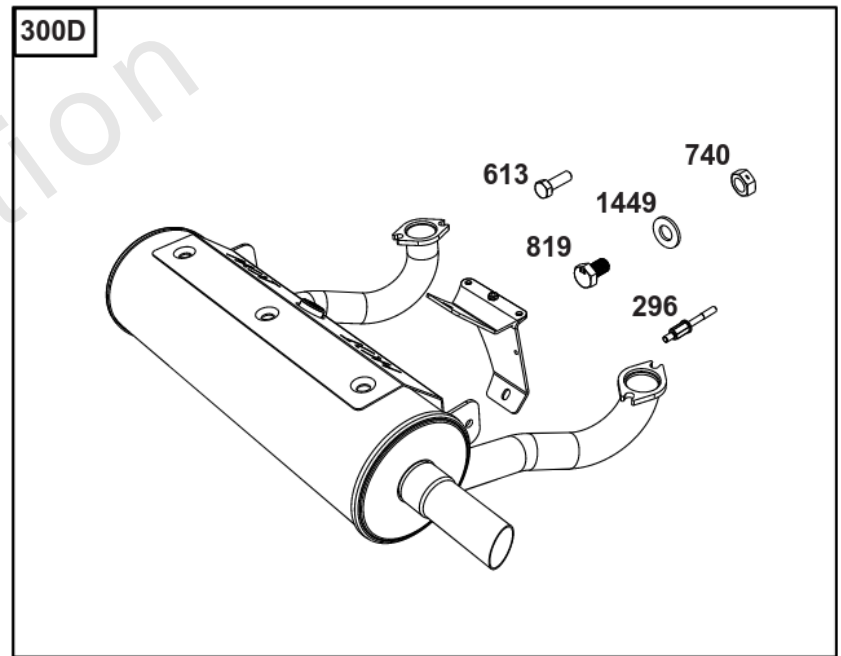
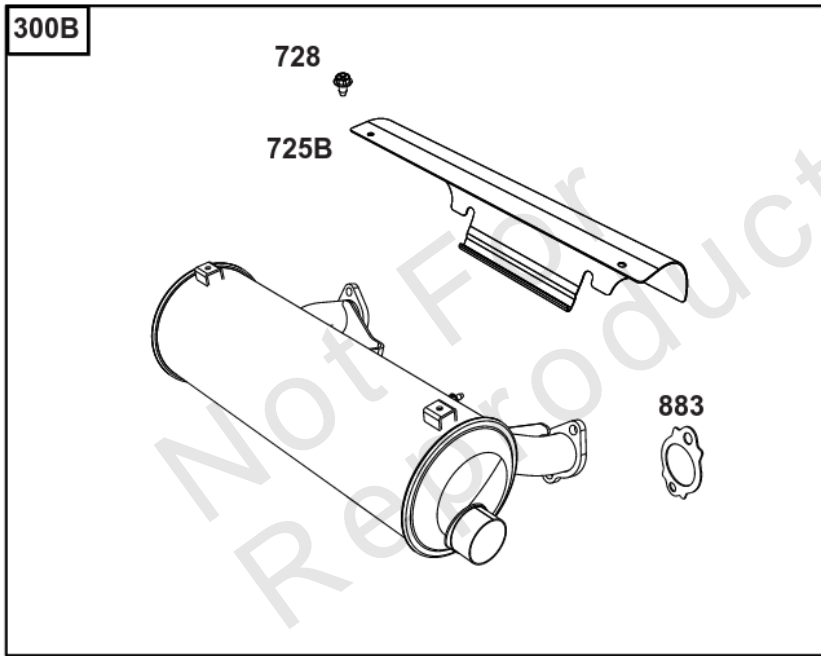
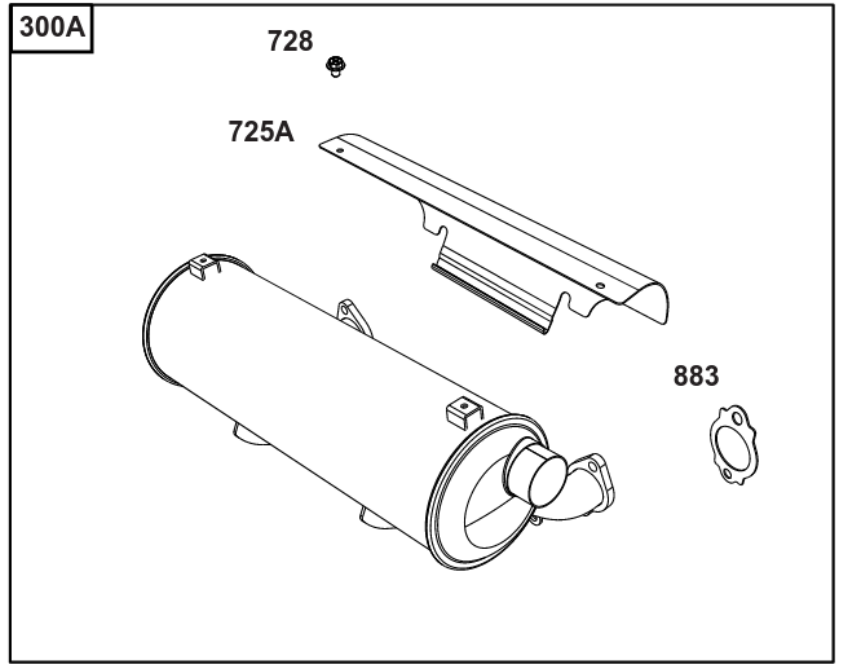
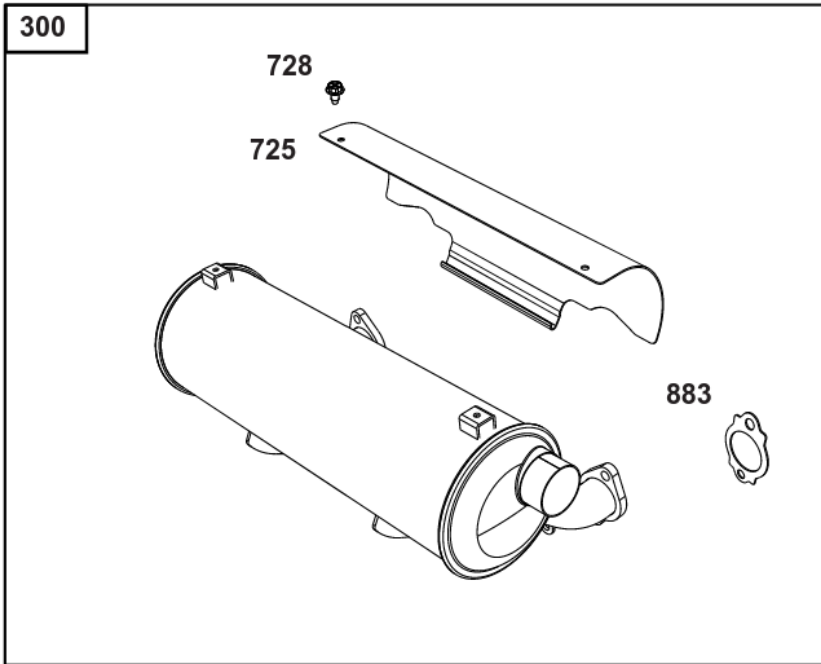
REF NO	PART NO	QTY	DESCRIPTION
9000	84002318		KIT, Maintenance -(Oil Guard™ Engines)
9000A	84002315		KIT, Maintenance -(Non-Oil Guard™ Engines)
9000B	84004936		KIT, Maintenance -(Non-Oil Guard™ Engines) (20 - 40 HP)
240	845125	1	FILTER, Fuel
337	491055S	2	PLUG, Spark
445	841497	1	FILTER, A/C Cartridge -"Professional / PXi" & "Commercial / CXi".
445A	692519	1	FILTER, A/C Cartridge -"Professional / PXi" & "Commercial / CXi".
967	692520	1	FILTER, Pre Cleaner
1027	595930	1	FILTER, Oil -(Oil Guard™)
1027A	842921	1	FILTER, Oil -(Vanguard®)
1505	100170		OIL-5QT VANGUARD (CASE) -(5 qt Bottle)
1505A	100169		OIL-1QT VANGUARD (CASE) -(1 qt Bottle)



Not For  
Reproduction

## Lubrication

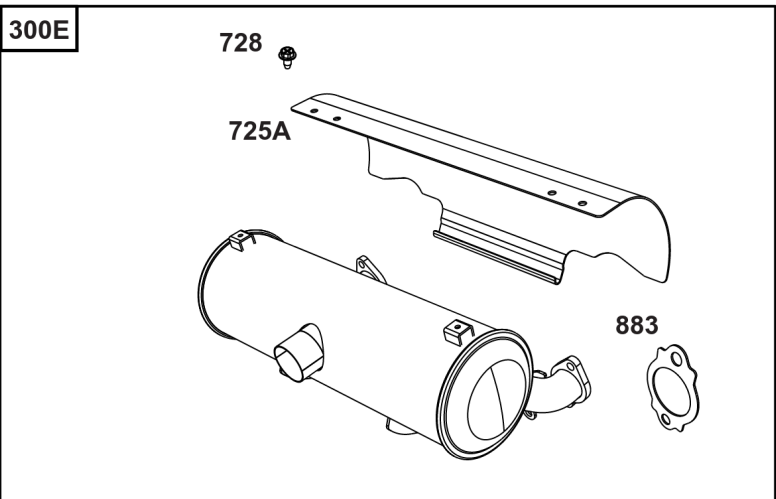
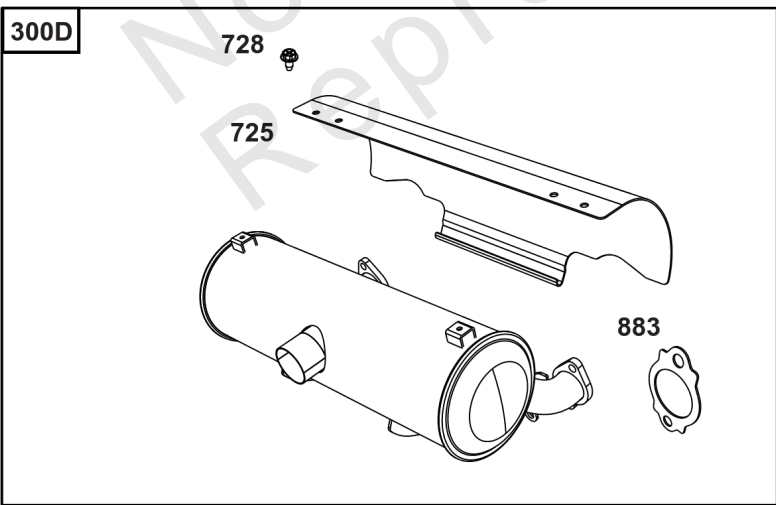
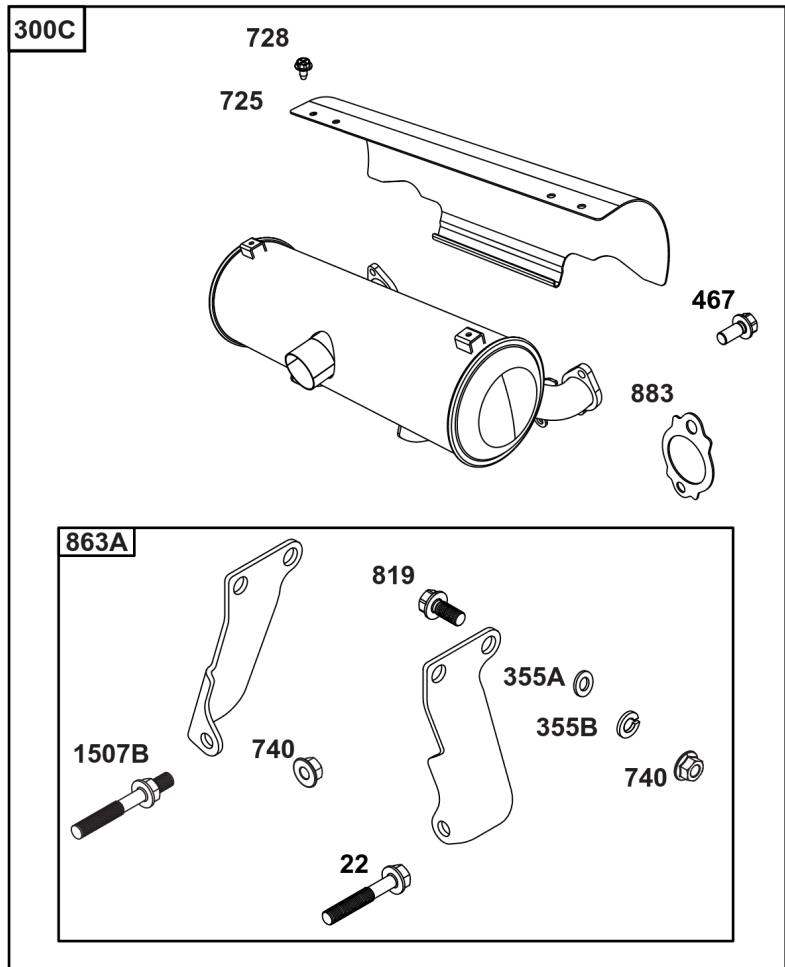
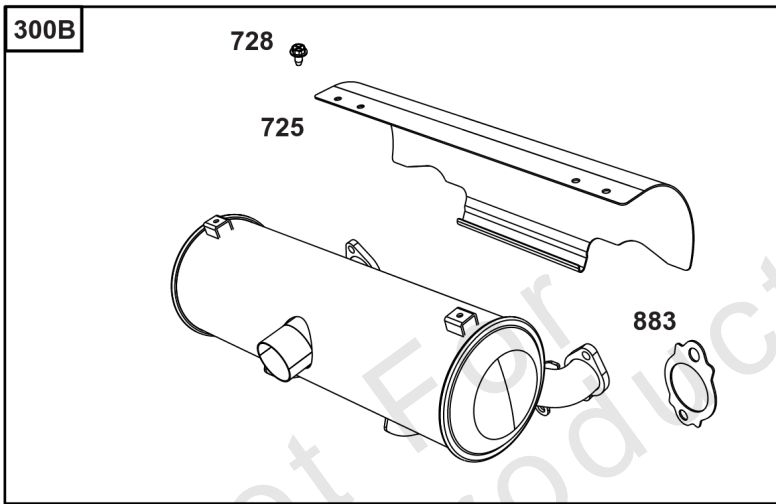
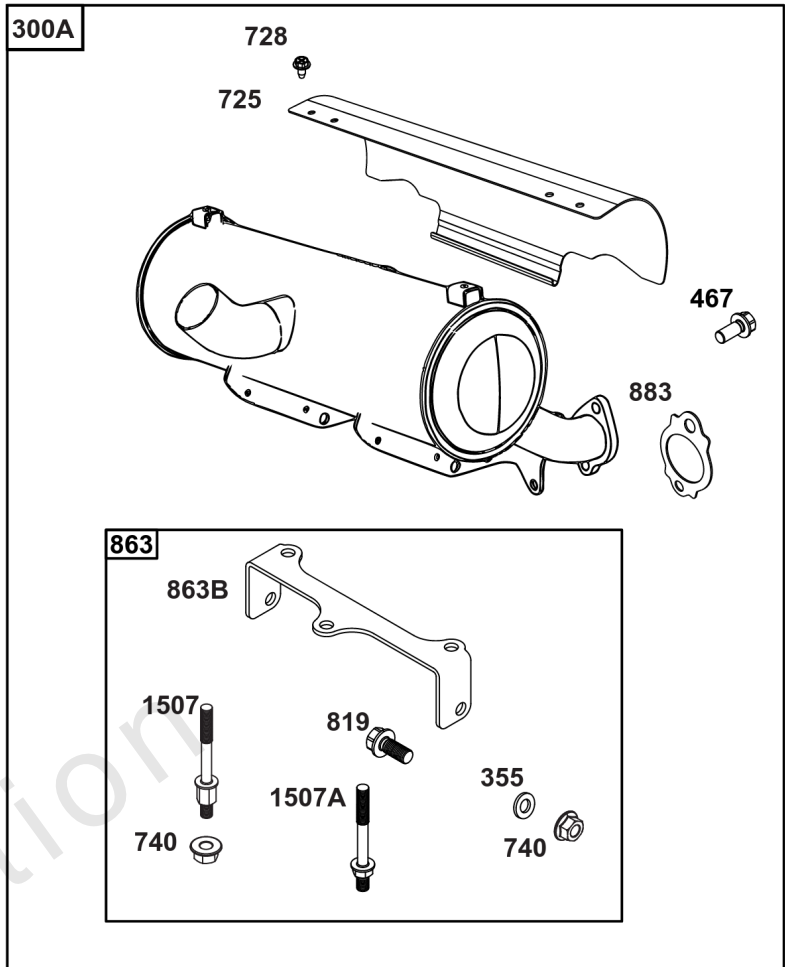
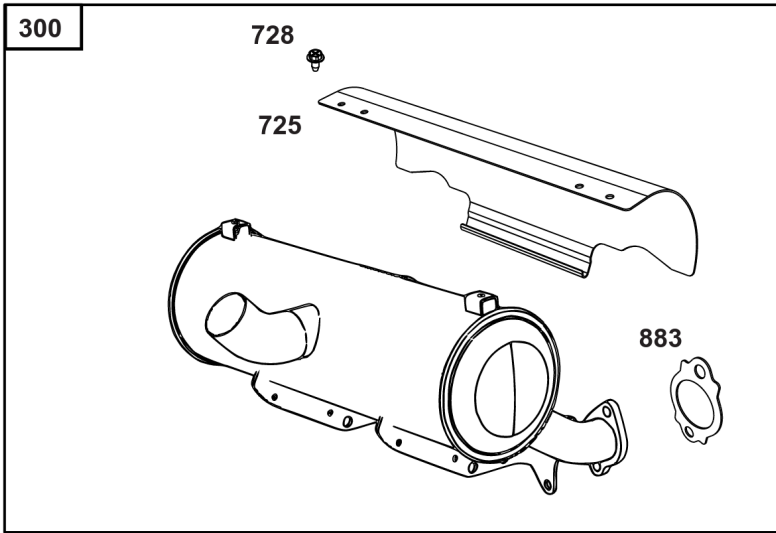
REF NO	PART NO	QTY	DESCRIPTION
186	796532	1	CONNECTOR, Hose -(Threaded Engine Block Connector for EZ-Oil Drain Hose)(Order hose separate)
239	690233	1	SWITCH, Oil Pressure -(2-4 PSI Normally-Closed Switch)
239A	491657S	1	SWITCH, Oil Pressure -(3-5 PSI Normally-Closed Switch)
239B	841281	1	SWITCH, Oil Pressure -(7-10 PSI Normally-Closed Switch)
239C	694115	1	SWITCH, Oil Pressure -(9-13 PSI Normally-Closed Switch)
239D	697049	1	SWITCH, Oil Pressure -(3-6 PSI Normally-Open Switch)
460	1761386YP	1	CONNECTOR, Filter Adapter -(Oil Drain Valve) (Fitting M14, 90 Degree 9/16 JIC)
460A	5100366SM	1	METRIC ADAPTER, M14-1 -(Threaded engine block adapter M14 to 3/8 for EZ-Oil Drain connector) (order 796532 separate)
512	594200	1	HOSE, Oil Drain -(EZ-Oil Drain Hose, 10.5") (Order threaded engine block connector separate)
512	593635	1	HOSE, Oil Drain -(EZ-Oil Drain Hose, 13.75") (Order threaded engine block connector separate)
512B	1723165SM	1	HOSE, Oil Drain, 10-1/2" Long, 3/8-18 Fittings -(10.5")
512C	5048681SM	1	HOSE, OIL DRAIN -(12.5")
517	593633	1	RETAINER, Oil Drain
1346	844802	1	VALVE, Oil Drain Shut Off
1346A	492031	1	VALVE, Oil Drain Shut Off
1505	100169		OIL-1QT VANGUARD (CASE) -(1 qt. Bottle)
1505A	100170		OIL-5QT VANGUARD (CASE) -(5 qt. Bottle)





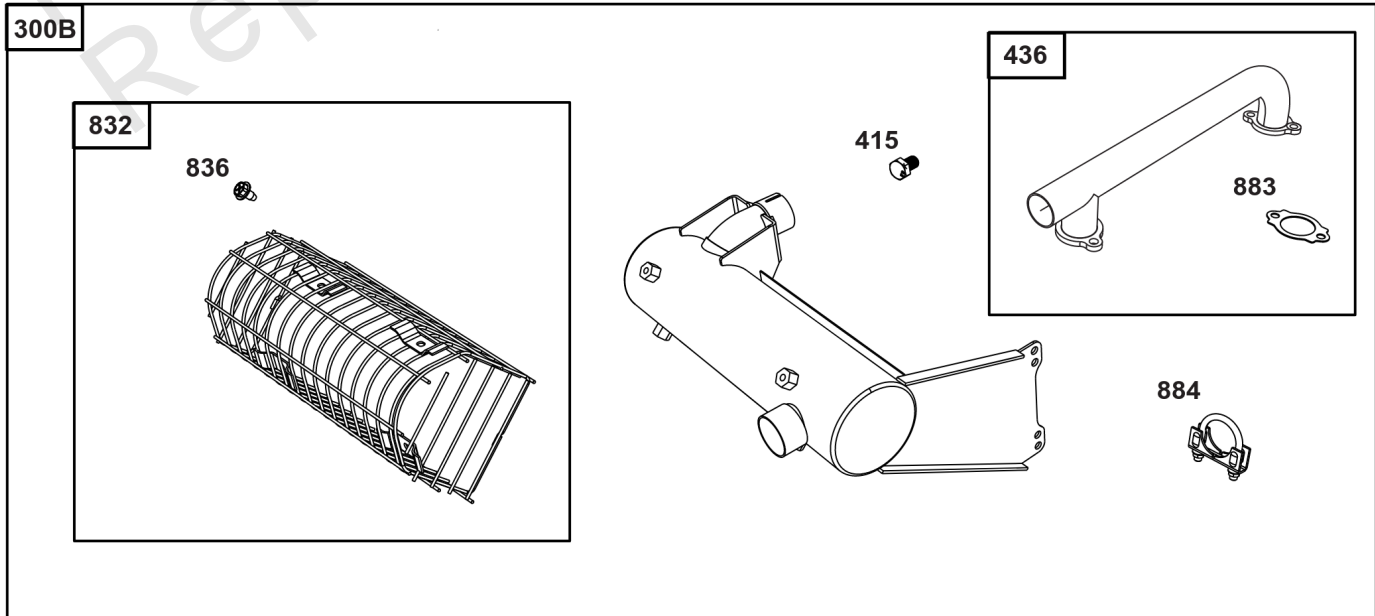
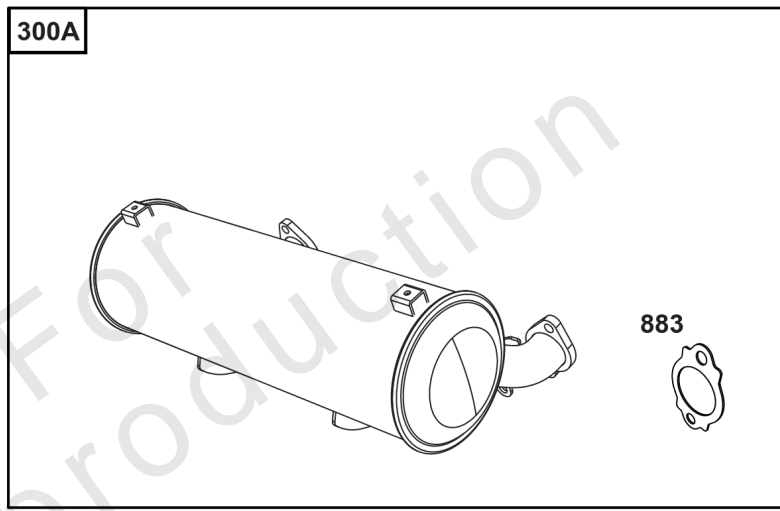
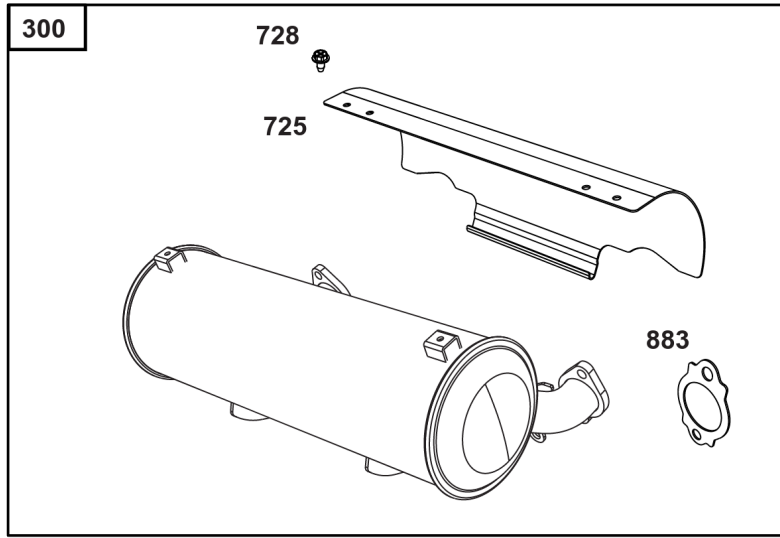
## Oil Filter Side Outlet Mufflers

REF NO	PART NO	QTY	DESCRIPTION
296	844813	4	STUD -(Muffler)
300	846819	1	MUFFLER -(High Mount) (Oil Filter Side Outlet) (EFI)
300A	846246	1	MUFFLER -(Mid Mount) (Oil Filter Side Outlet)
300B	847486	1	MUFFLER -(Mid Mount) (Oil Filter Side Outlet) (EFI)
300C	847278	1	MUFFLER -(Side Mount) (Oil Filter Side Outlet) (EFI)
300D	84007299	1	MUFFLER -(Vertical Shaft)(Oil Filter Side Outlet)
415	596859	1	PLUG
436	841681	1	MANIFOLD, Exhaust
613	596859		PLUG -(Muffler)
725	847229	1	SHIELD, Heat
725A	844338	1	SHIELD, Heat
725B	847487	1	SHIELD, Heat
728	692067	2	SCREW -(Heat Shield)
740	703164	2	NUT -Muffler Bracket
819	5025011X8SM	2	CAPSCREW, Hex Head, 5/16-18 X 1 -(Muffler Bracket)
832	841682	1	GUARD, Muffler
836	841233	4	SCREW -(Muffler Guard)
883	809872	2	GASKET, Exhaust
884	841968	1	CLAMP, Muffler
1449	703350	4	WASHER -(Muffler)



## Center Outlet Mufflers

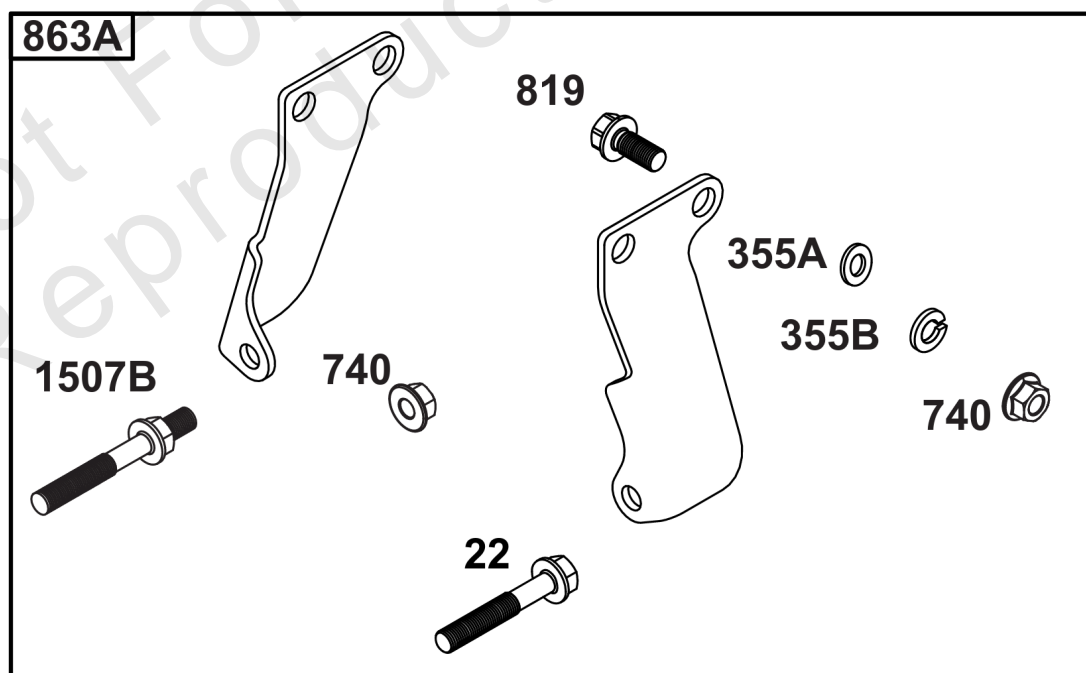
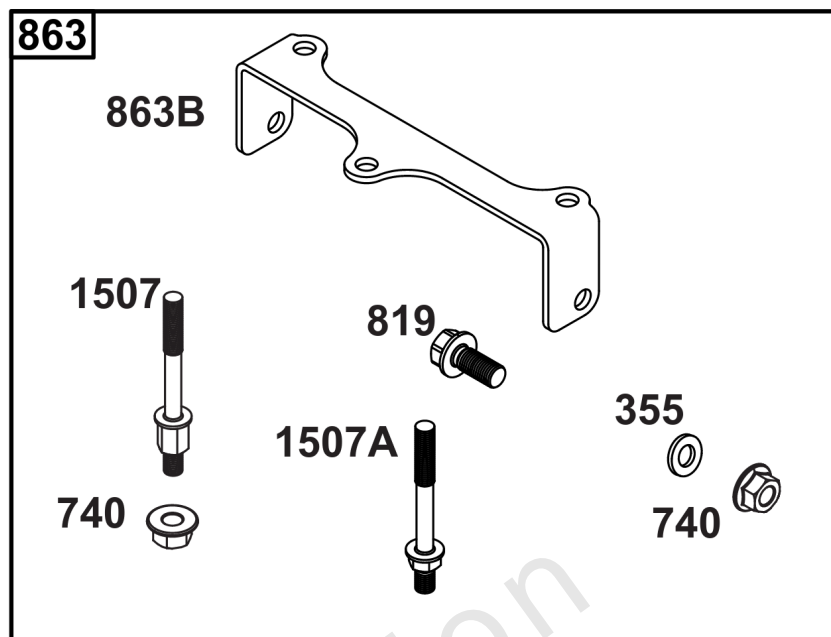
REF NO	PART NO	QTY	DESCRIPTION
22	807362	2	SCREW -(Muffler Bracket)
300	846443	1	MUFFLER -(Vertical Shaft) (Center Outlet) (304 Stainless Steel)
300A	847940	1	MUFFLER -(Vertical Shaft) (Center Outlet) (304 Stainless Steel) (Performance Muffler for 40 HP)
300B	846154	1	MUFFLER -(Horizontal Shaft) (High Mount) (Center Outlet)
300C	847922	1	MUFFLER -(Horizontal Shaft) (High Mount) (Center Outlet) (304 Stainless Steel) (Performance Muffler for 40 HP)
300D	846444	1	MUFFLER -(Horizontal Shaft) (High Mount) (Center Outlet) (304 Stainless Steel)
300E	847478	1	MUFFLER -(Horizontal Shaft) (High Mount) (Center Outlet) (O2 Sensor Port) (EFI)
355	844035	2	WASHER -(Muffler Bracket)
355A	691261	2	WASHER -(Muffler Bracket)
355B	691075	8	WASHER -(Muffler Bracket)
467	846149	4	SCREW -(Exhaust Manifold)
725	841132	1	SHIELD, Heat
725A	847229	1	SHIELD, Heat
728	692067	2	SCREW -(Heat Shield)
740	690941	5	NUT
819	692062	2	SCREW -(Muffler Bracket)
863	848296	1	BRACKET, Muffler
863A	843487	1	BRACKET, Muffler
863B	848296	1	BRACKET, Muffler
883	809872	2	GASKET, Exhaust
1507	848297	1	STUD -(Muffler Bracket)
1507A	848298	2	STUD -(Muffler Bracket)
1507B	846324	2	STUD -(Muffler Bracket)



## Starter Side Outlet Mufflers

REF NO	PART NO	QTY	DESCRIPTION
300	845741	1	MUFFLER -(High Mount) (Starter Side Outlet)
300A	847083	1	MUFFLER -(Starter Side Outlet) (EFI)
300B	847279		MUFFLER -(Side Mount) (Starter Side Outlet) (EFI)
415	596859	1	PLUG
436	842263	1	MANIFOLD, Exhaust
725	841132	1	SHIELD, Heat
728	692067	2	SCREW -(Heat Shield)
832	841682	1	GUARD, Muffler
836	841233	4	SCREW -(Muffler Guard)
883	809872	2	GASKET, Exhaust
884	841968	1	CLAMP, Muffler

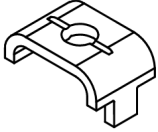
Not For Reproduction



## Muffler Bracket Kits

REF NO	PART NO	QTY	DESCRIPTION
22	807362	2	SCREW -(Muffler Bracket)
355	844035	2	WASHER -(Muffler Bracket)
355A	691261	2	WASHER -(Muffler Bracket)
355B	691075	8	WASHER -(Muffler Bracket)
740	690941	6	NUT -(Muffler Bracket)
819	692062	2	SCREW -(Muffler Bracket)
863	848316	1	BRACKET, Muffler -(Vertical)
863A	843487	1	BRACKET, Muffler -(Horizontal)
863B	848296	1	BRACKET, Muffler -(Vertical)
1507	848297	1	STUD -(Muffler Bracket)
1507A	848298	2	STUD -(Muffler Bracket)
1507B	846324	2	STUD -(Muffler Bracket)

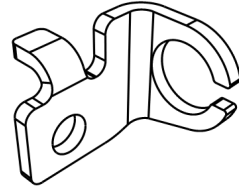
265



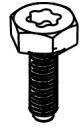
265A



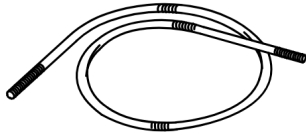
416



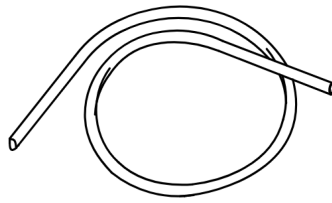
267



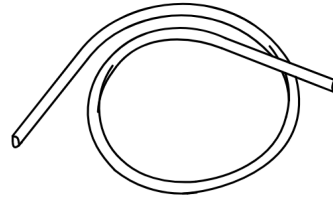
268



269



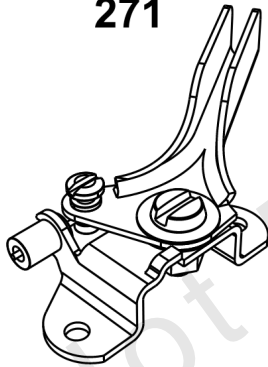
269A



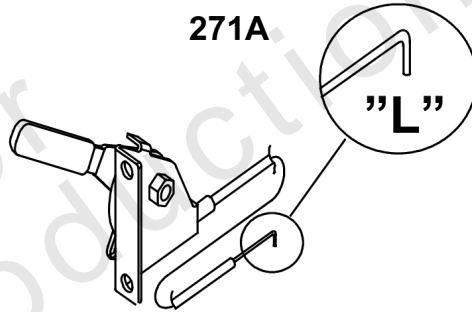
270



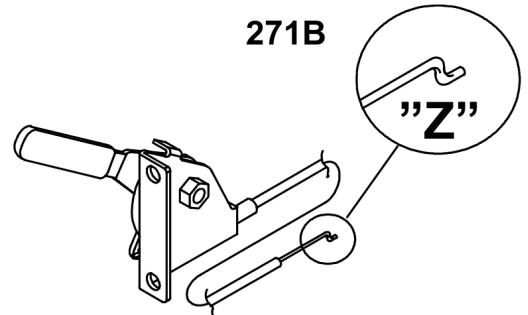
271



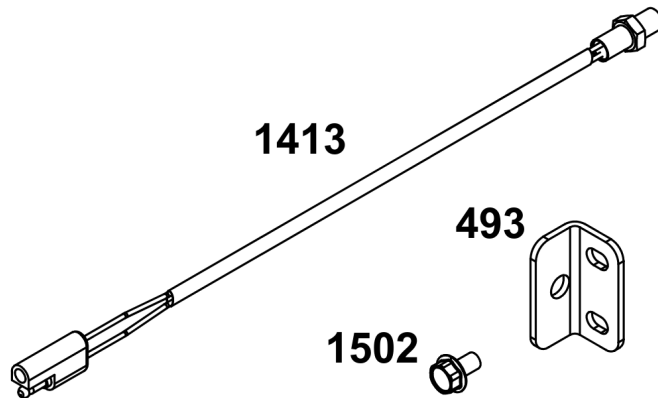
271A



271B



1413



493



1502





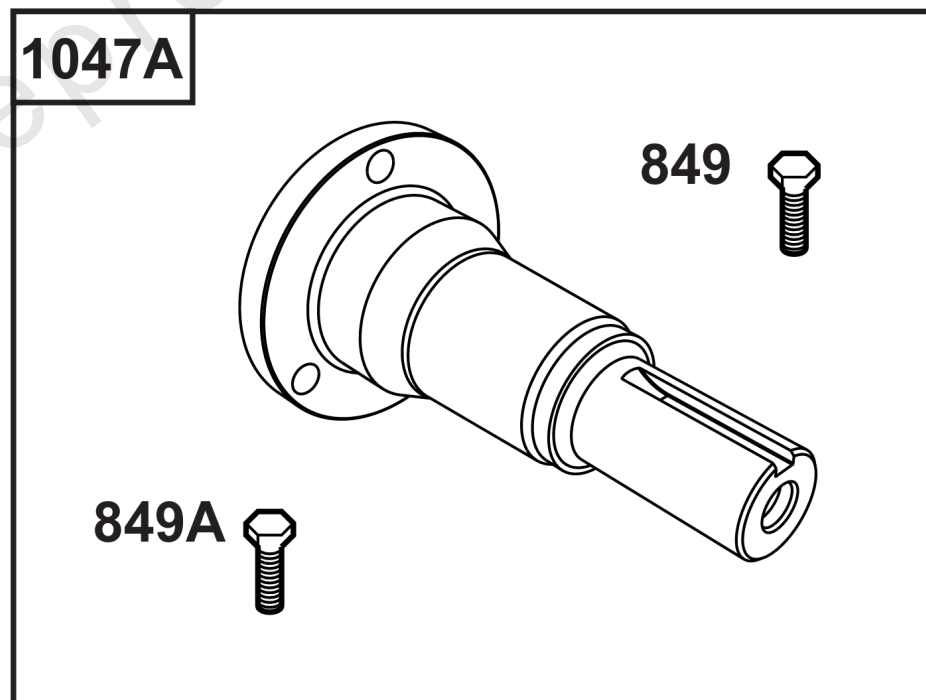
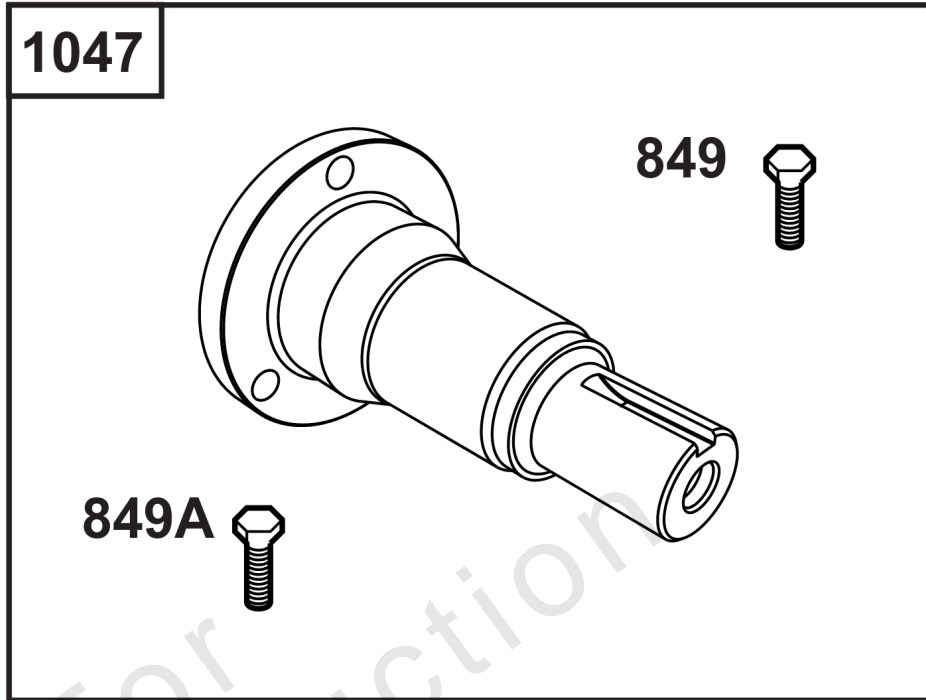
## Speed Control

REF NO	PART NO	QTY	DESCRIPTION
265	691024	1	CLAMP, Casing -(Casing Clamp for Hard Casing)
265A	690798	1	CLAMP, Casing -(Casing Clamp for Soft Casing)
267	792629	1	SCREW -(Screw for Casing Clamp)
268	691025	1	CASING, Control Wire -(Wire Casing 72")
269	691026	1	WIRE, Control -(Control Wire 78")
269A	93907	1	WIRE, Control -(Control Wire 100")
270	691027	1	NUT -(Nut for Wire Casing)
271	691028	1	LEVER, Control
271A	692105	1	LEVER, Control -(Wire with "L" formed end)
271B	692541	1	LEVER, Control -(Wire with "Z" formed end)
416	595196	1	BRACKET, Throttle Cable -(Casing Clamp for Snap-In Casing)
493	842713	1	BRACKET, Mounting -(Speed Sensor)
1413	844449	1	SENSOR, Speed -(Requires 842713 Bracket and two 841233 screws)
1502	841233	2	SCREW -(Speed Sensor)



## Electrical

REF NO	PART NO	QTY	DESCRIPTION
330	847476	1	SENSOR, Oxygen -(Extended Length O2 Sensor 23.5")
415	1714480SM	1	PLUG -(Plug for Ignition Switch Removal)
789	809967	1	HARNESS, Wiring -(Wire Harness Extension 8 Pin – 22") (Use with standard key switch 692318 or water/dust resistant key switch 847448)
789A	846776	1	HARNESS, Wiring -(Wire Harness Extension 6 Pin – 22") (Use with standard key switch 692318 or water/dust resistant key switch 847448)
789B	847017	1	WIRE ASSEMBLY -(Wire Harness Extension for 847016 Tach 32")
853	80028618	1	ADAPTER, Wire -(Wire Harness Adapter 6 Pin to 8 Pin)
983	5103809YP	1	LIGHT, Indicator -(MIL Light Indicator, LED Red)
1518	847016	1	TACHOMETER -(Tach, Hour Meter with MIL Light for EFI Engines)
1616	19626	1	CODE READER -(Tiny Scan)

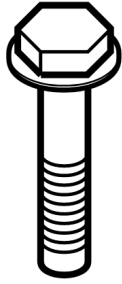


## Stub Shafts

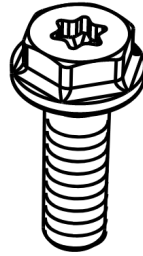
REF NO	PART NO	QTY	DESCRIPTION
849	596370	3	SCREW -(Stub Shaft)
849A	846235	3	SCREW -(Stub Shaft)
1047	841304	1	SHAFT, Stub -(Flywheel Mounted) (1-1/8" diameter, 148 mm length)
1047A	843342	1	SHAFT, Stub -(Flywheel Mounted) (1-1/8" diameter, 176 mm length)

Not For Reproduction

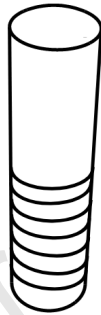
613



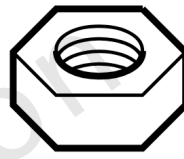
437



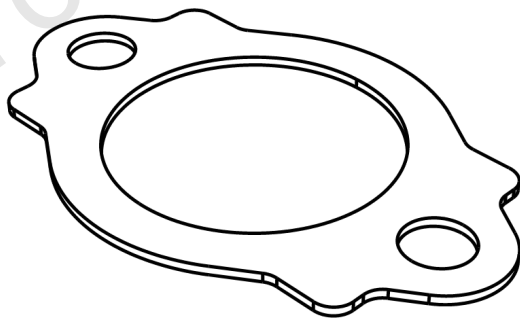
151



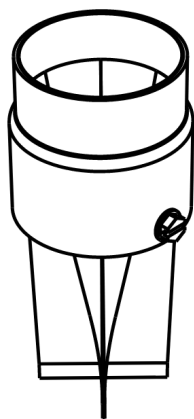
1177



883



994



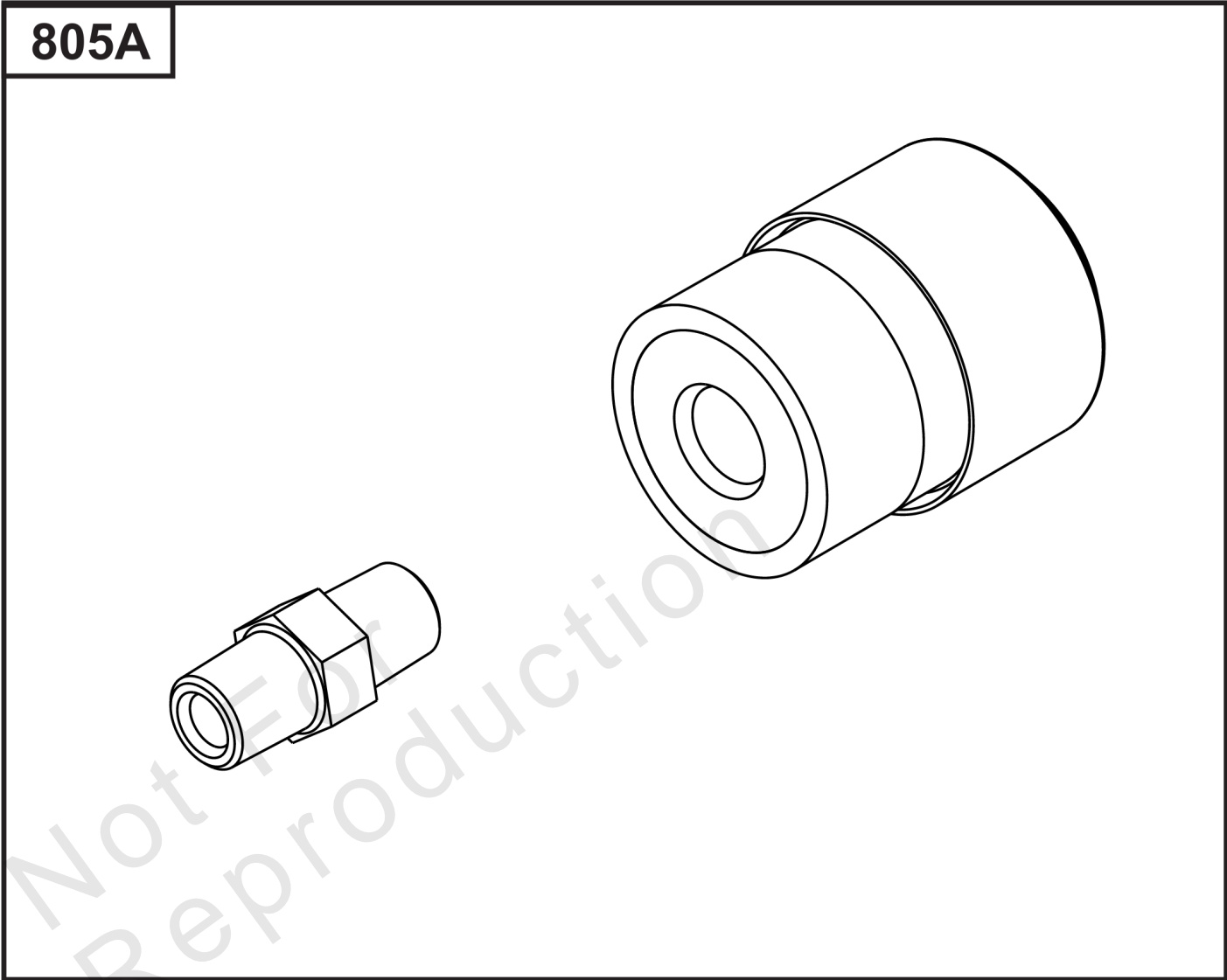
301



## Spark Arrester/Deflector

REF NO	PART NO	QTY	DESCRIPTION
151	841185	4	STUD -(4 per engine)
301	841518	1	PIPE, Exhaust -(For 44.7 O.D. muffler outlet pipe) (Requires clamp 843624)
437	809743	4	SCREW -(M8 x 25 for Mounting Mufflers) (4 per engine)
613	692062	4	SCREW -(M8 x 18 for Mounting Mufflers) (4 per engine)
883	809872	2	GASKET, Exhaust -(2 per engine)
994	843204	1	ARRESTOR, Spark -(1.75") (44.7 mm) (O.D. Outlet Tube)
1177	842067	4	NUT -(Required if using 841185 stud)

Not For Reproduction





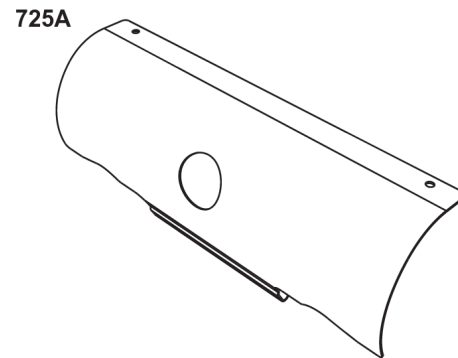
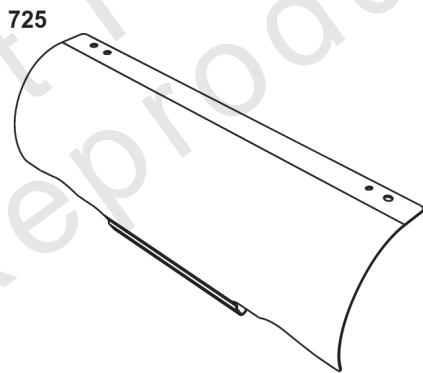
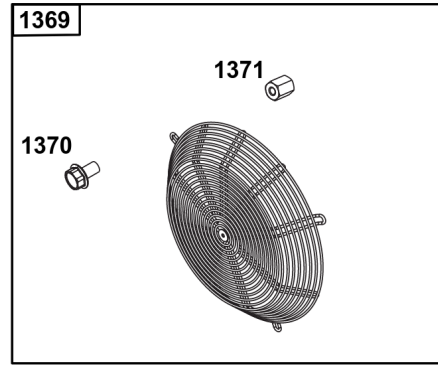
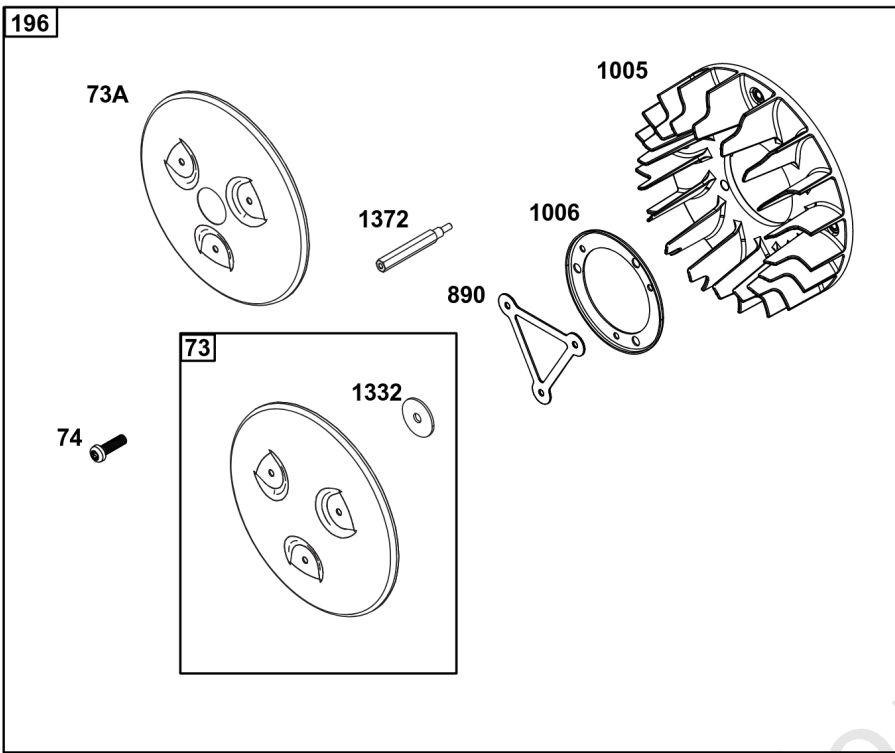
## *Air Intake*

---

REF NO	PART NO	QTY	DESCRIPTION
805A	843024	1	MINDER, Filter

---

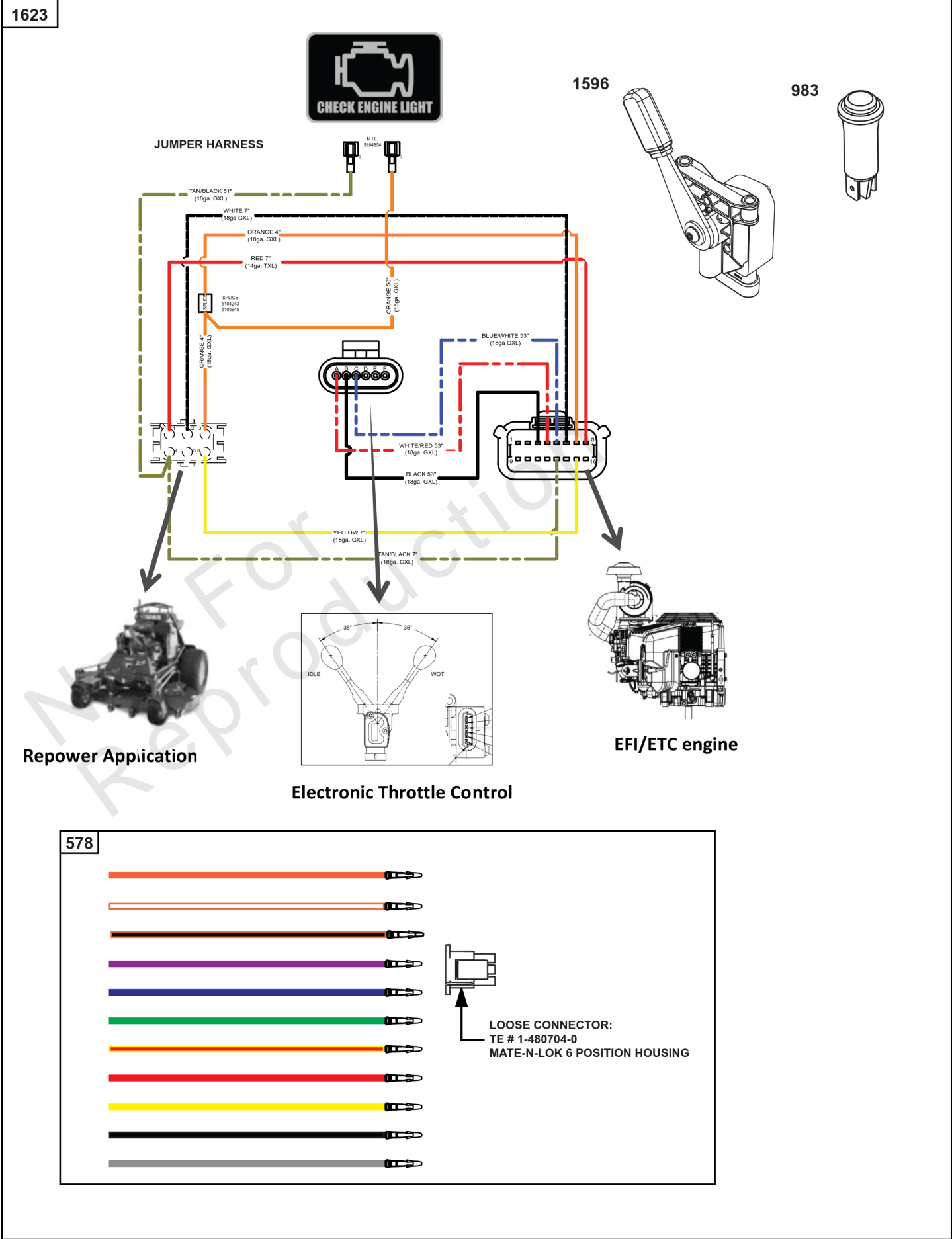
Not For Reproduction



## Guarding

REF NO	PART NO	QTY	DESCRIPTION
73	841840	1	SCREEN, Rotating
73A	842248	1	SCREEN, Rotating
74	809947	3	SCREW -(Rotating Screen) (M6x20mm)
196	847200	1	GUARD, Flywheel Fan
725	841132	1	SHIELD, Heat -(Requires 2 x 692067 Screw)
725A	847229	1	SHIELD, Heat -(With 02 Sensor Hole) (EFI)
890	809987	1	BRACKET, Support
1005	846996	1	FAN, Flywheel
1006	847198	1	RETAINER, Fan
1332	809948	3	WASHER
1369	995019	1	FAN/SCREEN ASSEMBLY
1370	841233	4	SCREW -(Flywheel Fan Guard)
1371	841537	4	NUT -(Flywheel Fan Guard)
1372	809946	3	STUD

Not For Reproduction



## ***Electronic Throttle Kit***

<b>REF NO</b>	<b>PART NO</b>	<b>QTY</b>	<b>DESCRIPTION</b>
578	84007350	1	WIRE ASSEMBLY
983	5103809YP	1	LIGHT, Indicator
1596	84007271	1	LEVER, Electronic Throttle
1623	84008670	1	KIT, Throttle Assembly -(Analog Electronic Throttle Control)

Not For Reproduction

