

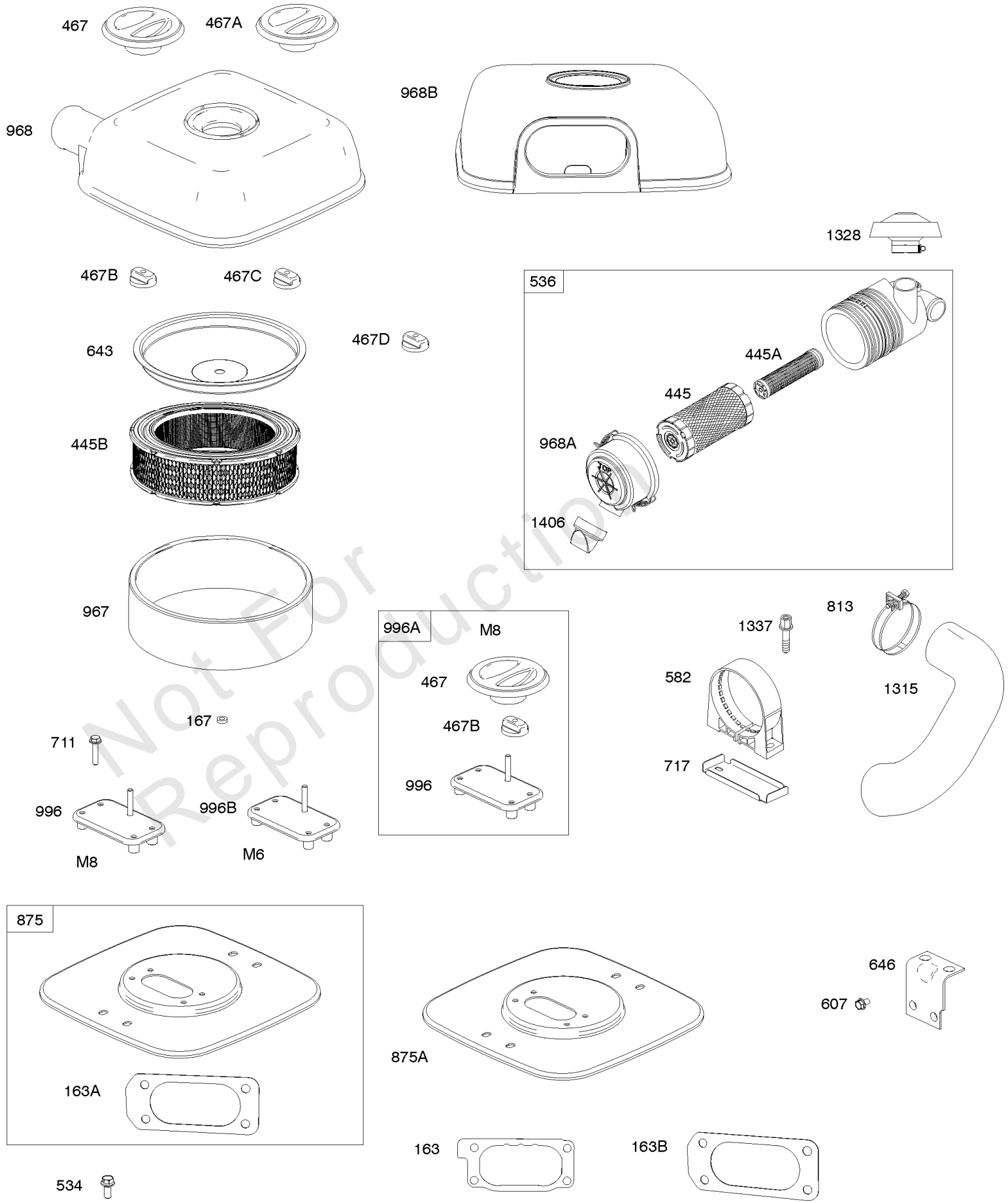


# Parts Manual

Mfg. No: 613477-2192-J1

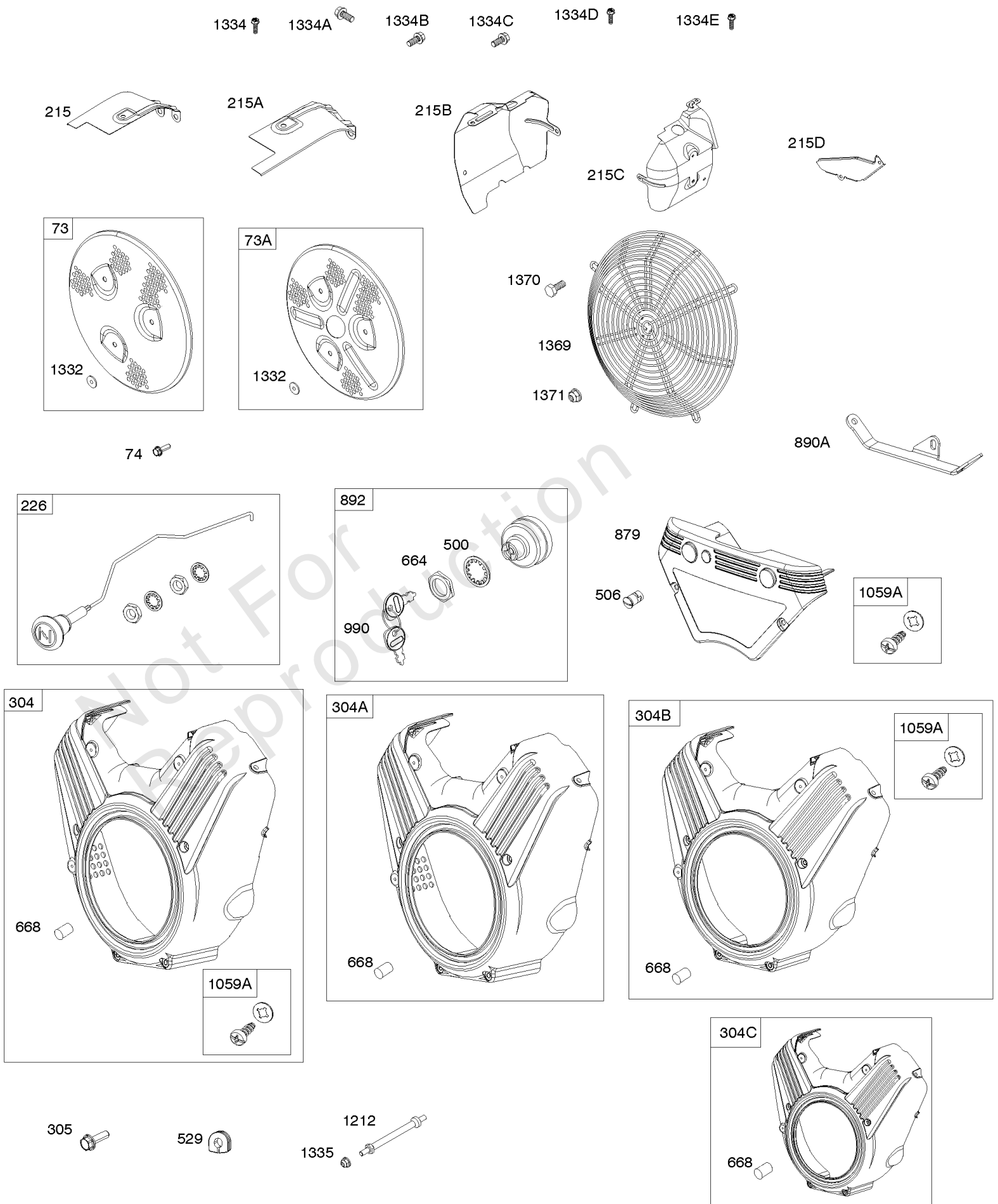


<b>Model Components</b>	<b>Page</b>
Air Cleaners. ....	4
Air Guides, Rotating Screens, Blower Housings. ....	6
Alternators, Regulators, Electric Starter, Armatures. ....	10
Carburetor (Non Solenoid), Fuel Supply. ....	12
Carburetor Overhaul Kit, Engine/Valve Gasket Sets. ....	16
Carburetors (Solenoid). ....	18
Control Brackets, Springs, Links. ....	22
Crankcase Covers, Camshaft. ....	24
Crankshaft, Piston/Rings/Connecting Rods, Oil Coolers. ....	26
Cylinder Heads, Rocker Covers. ....	30
Cylinders. ....	34
Flywheels, Stub Shafts. ....	36
Intake Elbows, Intake Manifold, Purge Lines. ....	38
Mufflers. ....	40
Replacement Engine - US & Canada. ....	42
Wiring Harness', Wire Clamps. ....	43
Model 54-61 Engine Accessories Catalog. ....	45
Maintenance Kits. ....	46
Lubrication. ....	48
Oil Filter Side Outlet Mufflers. ....	50
Center Outlet Mufflers. ....	52
Starter Side Outlet Mufflers. ....	54
Muffler Bracket Kits. ....	56
Speed Control. ....	58
Electrical. ....	60
Stub Shafts. ....	62
Spark Arrester/Deflector. ....	64
Air Intake. ....	66
Guarding. ....	68
Electronic Throttle Kit. ....	70



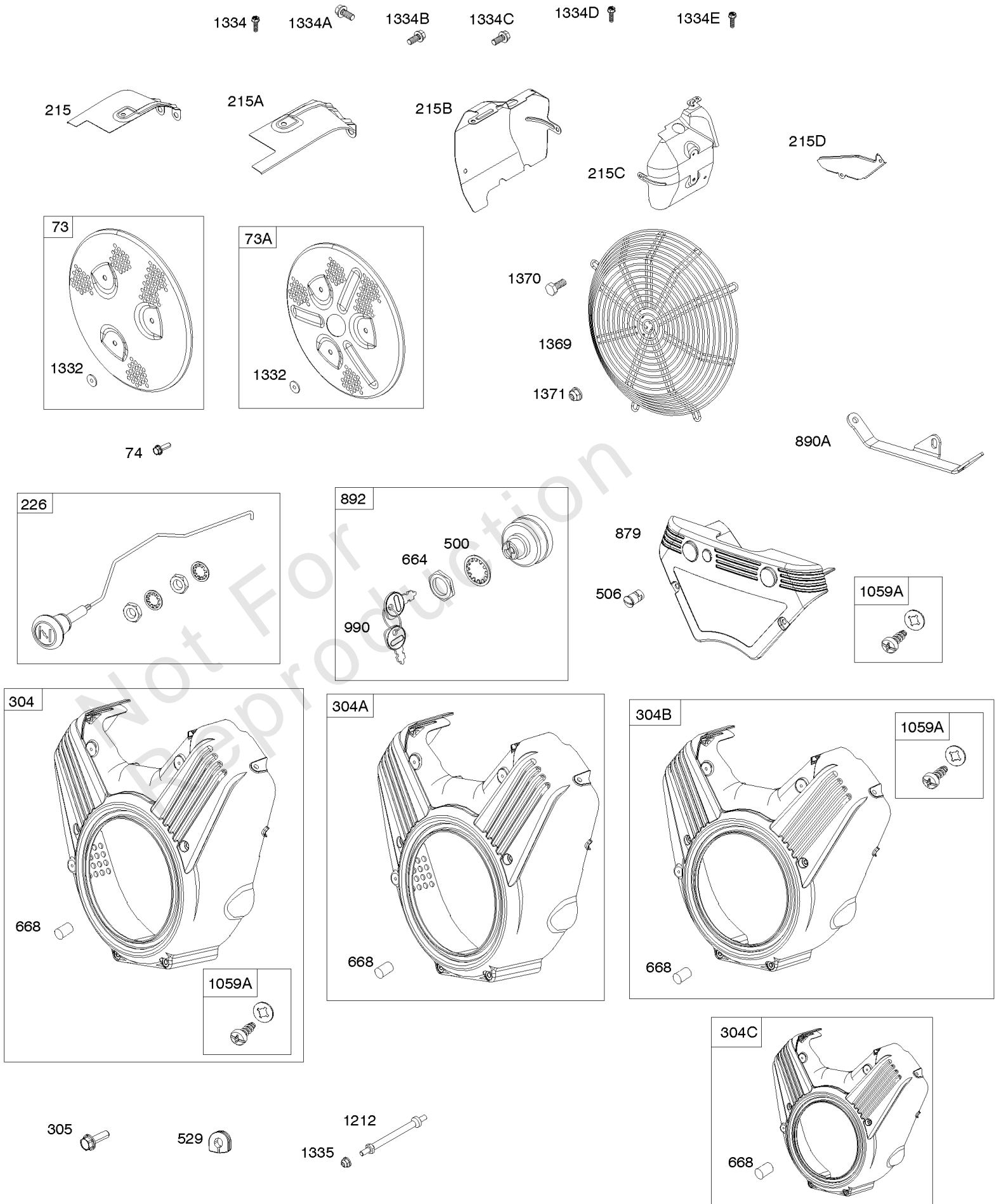
## Air Cleaners

REF NO	PART NO	QTY	DESCRIPTION
163	807375		GASKET, Air Cleaner
163A	843117		GASKET, Air Cleaner -Used After Code Date 06062200
163B	841852		GASKET, Air Cleaner -Used Before Code Date 06062300
167	841855		SEAL, Air Cleaner Nut -Used Before Code Date 14012800
445	841497		FILTER, A/C Cartridge
445A	821136		FILTER, A/C Cartridge
445B	692519		FILTER, A/C Cartridge
467	846008		KNOB, Air Cleaner Cover -(M8)
467A	841846		KNOB, Air Cleaner Cover -(M6)
467B	846007		KNOB, Air Cleaner Cover -(M8) -Used Before Code Date 15021700
467C	844618		KNOB, Air Cleaner Cover -(M6) -Used Before Code Date 14012700
467D	846432		KNOB, Air Cleaner Cover -(M8) -Used After Code Date 15021600
534	692062		SCREW -(Air Cleaner)
536	809670		CLEANER, Air
582	809878		CLAMP, Air Cleaner
607	841233		SCREW -(Air Cleaner Brace) (M6x10mm)
643	844932		RETAINER, Air Cleaner
646	841849		BRACE, Air Cleaner
711	807385		SCREW -(Carburetor Shield) (M6x35mm)
717	841886		BRACKET, Air Cleaner
813	807376		CLAMP
875	843118		BASE, Air Cleaner -Used After Code Date 06062200
875A	841851		BASE, Air Cleaner -Used Before Code Date 06062300
967	692520		FILTER, Pre Cleaner
968	841847		COVER, Air Cleaner
968A	842621		COVER, Air Cleaner
996	846006		SHIELD, Carburetor -(M8 Stud) -Used After Code Date 14012700
996A	846013		SHIELD, Carburetor -(M8 Stud) -Used After Code Date 06062200 -Used Before Code Date 14012800
996B	-----		Shield-Carburetor -(NO LONGER AVAILABLE) -Used Before Code Date 06062300
1315	809905		HOSE, Air Cleaner
1328	809907		CAP, A/C Rain
1337	807382		SCREW -(Air Cleaner Clamp)
1406	842623		VALVE, Debris



## Air Guides, Rotating Screens, Blower Housings

REF NO	PART NO	QTY	DESCRIPTION
73	841840		SCREEN, Rotating
73A	842248		SCREEN, Rotating -(Stub Shaft Hole)
74	809947		SCREW -(Rotating Screen)
215	809728		GUIDE, Air -(Cylinder 1)
215A	809737		GUIDE, Air -(Cylinder 2)
215C	809738		GUIDE, Air -(Cylinder #1)
215D	809739		GUIDE, Air -(Valley)
215B	809897		GUIDE, Air -(Cylinder #2)
226	841613		ROD, Choke
304	846481		HOUSING, Blower -(Non UL) (Oil Cooler)
304B	846964		HOUSING, Blower -(Non UL) (Non Oil Cooler) -Used After Code Date 11041700
304C	809959		HOUSING, Blower -(Non Oil Cooler) -Used Before Code Date 11041800
305	807435		SCREW -(Blower Housing) (M6x20mm)
500	691086		WASHER -(Key Switch)
506	809957		SCREW -(Carburetor/EFI Cover) -Used Before Code Date 11041800
529	690744		GROMMET -(Magneto Armature Wires)
664	691087		NUT -(Key Switch)
668	841974		SPACER -(Blower Housing)
879	809955		COVER, Carburetor/EFI
890A	841614		BRACKET, Support
892	692318		SWITCH, Key -(Includes Key Switch Label)
990	691959		SET, Key
1059A	845300		KIT, Screw/Washer -(Carburetor/EFI Cover) -Used After Code Date 11041700
1212	809958		STUD -(Blower Housing)
1332	809948		WASHER -(Rotating Screen)
1334	807435		SCREW -(Air Guide) (M6x20mm)
1334A	841233		SCREW -(Air Guide) (M6x10mm)
1334C	690677		SCREW -(Air Guide) (M4x12mm)
1334E	692062		SCREW -(Air Guide) (M8x18mm)
1334B	807084		SCREW -(Air Guide) (M6x14mm)
1334D	807421		SCREW -(Air Guide) (M6x25mm)



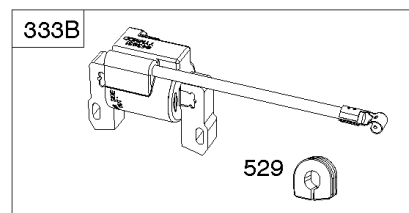
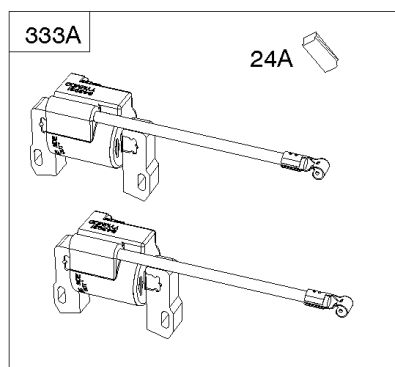
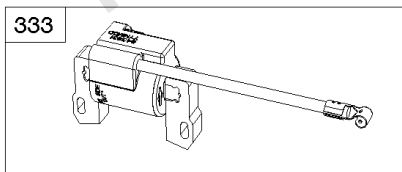
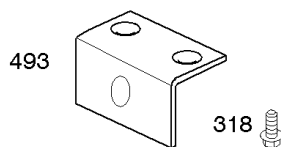
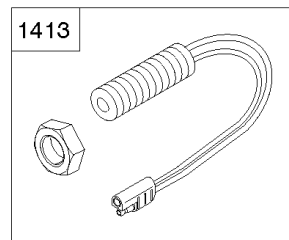
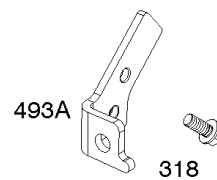
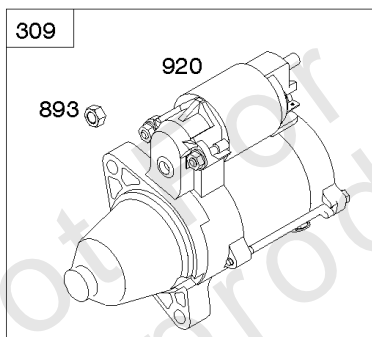
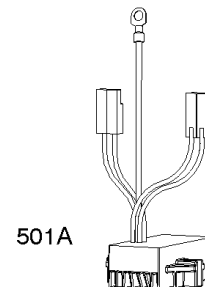
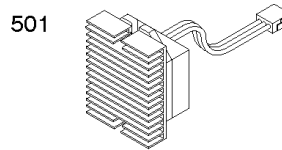
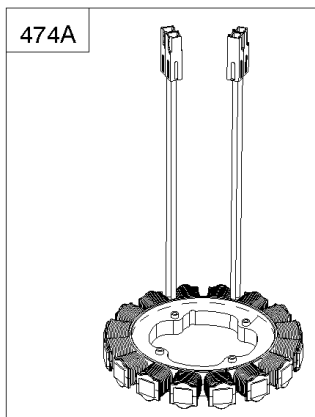
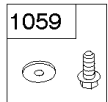
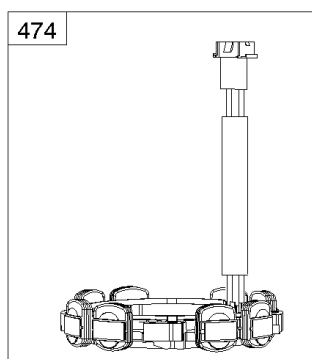


## *Air Guides, Rotating Screens, Blower Housings*

---

REF NO	PART NO	QTY	DESCRIPTION
1335	690939		NUT -(Blower Housing)
1369	842858		GUARD, Flywheel Fan
1370	841233		SCREW -(Flywheel Fan Guard)
1371	841537		NUT -(Flywheel Fan Guard)

Not For Reproduction

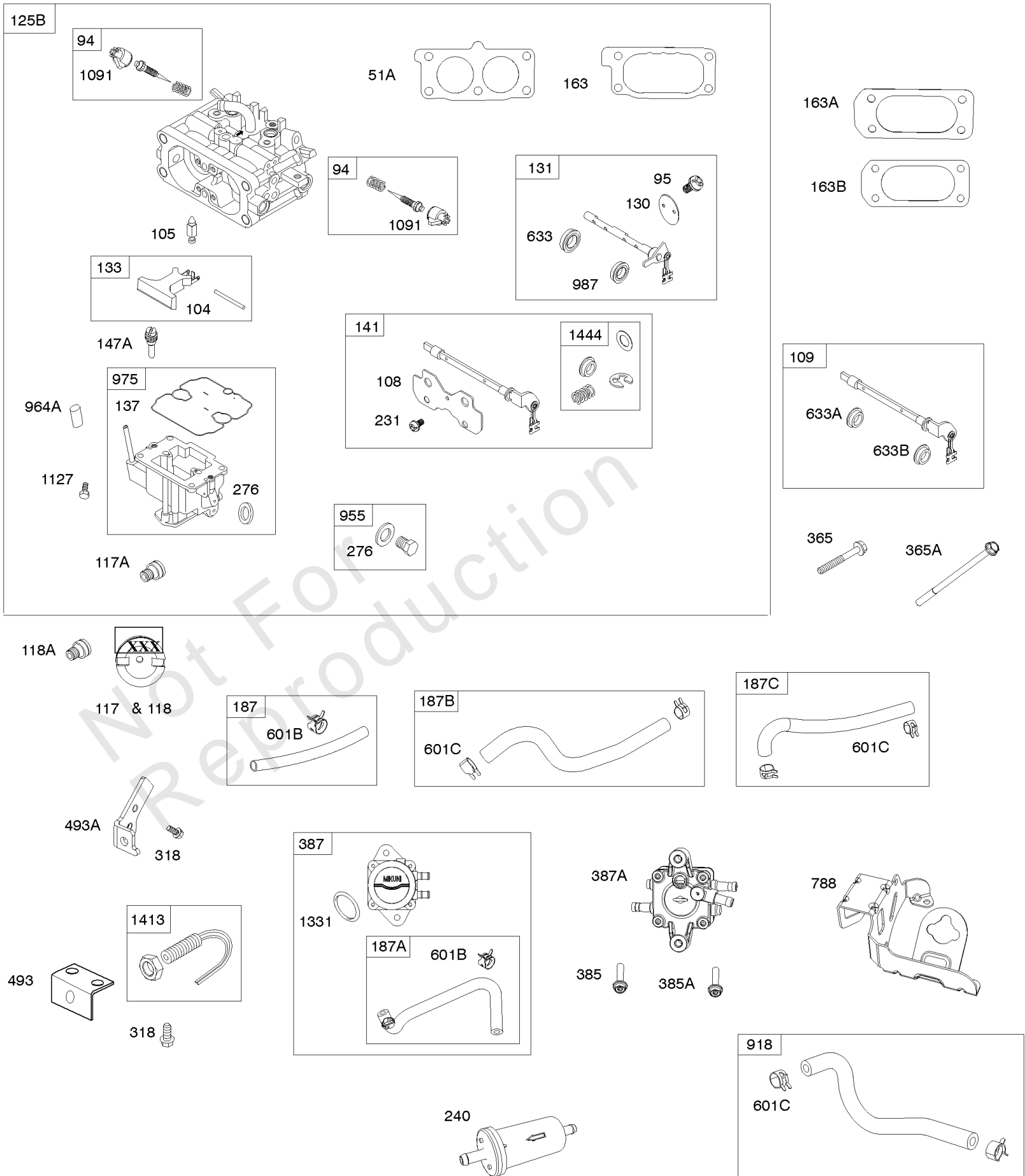


## Alternators, Regulators, Electric Starter, Armatures

REF NO	PART NO	QTY	DESCRIPTION
24A	843837		KEY, Flywheel -(Offset Key) (Aluminum)
309	845760		MOTOR, Starter
318	841233		SCREW -(Mounting Bracket) (M6x10mm)
333	845126		ARMATURE, Magneto -Used After Code Date 10012800
333A	843860		ARMATURE, Magneto -(Offset Key) (Aluminum) -Used Before Code Date 10012900
334	692066		SCREW -(Magneto Armature) (M4x23mm)
344	841233		SCREW -(Cable Clamp)
474	846882		ALTERNATOR -(20 Amp)
474A	841178		ALTERNATOR -(20/50 Amp)
493	842713		BRACKET, Mounting -(Speed Sensor)
493A	845619		BRACKET, Mounting -(Fuel Line)
501	847385		REGULATOR
501A	841170		REGULATOR -(20/50 Amp)
526	690717		SCREW -(Regulator) (M6x30mm)
529	690744		GROMMET -(Magneto Armature Wires)
587	846866		CLAMP, Cable
635	692076		BOOT, Spark Plug
697	690711		SCREW -(Starter Motor) (Drive Cap) (M8x38mm)
893	845758		NUT -(Starter Solenoid)
920	845757		SOLENOID, Starter
1059	698516		KIT, Screw/Washer -(Alternator)
1119	691552		SCREW -(Alternator)
1413	844449		SENSOR, Speed

# Carburetor (Non Solenoid), Fuel Supply

Mfg. No: 613477-2192-J1

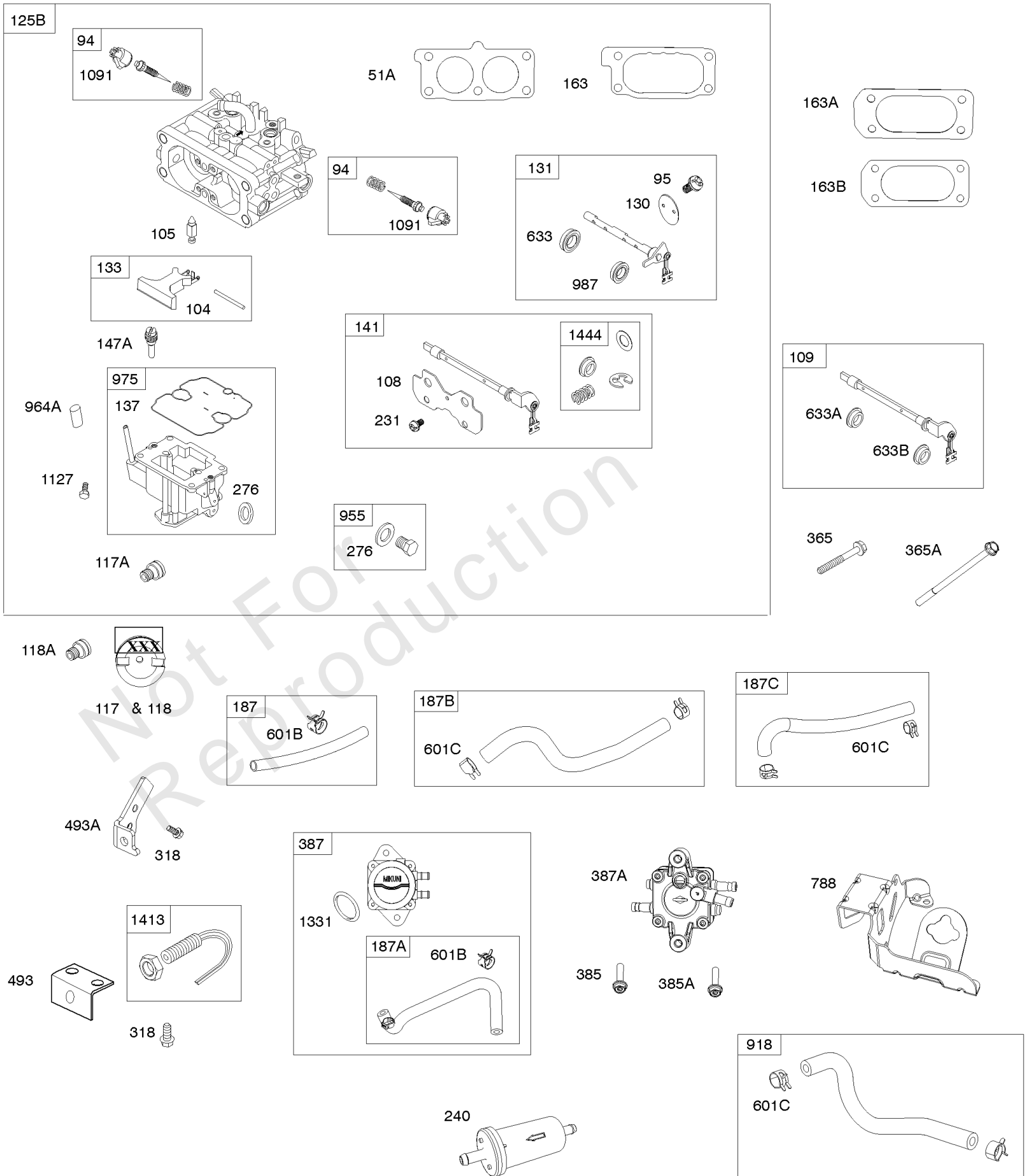


## Carburetor (Non Solenoid), Fuel Supply

REF NO	PART NO	QTY	DESCRIPTION
51A	809910		GASKET, Intake -(Intake Hole Diameter - 30mm)
94	843295		KIT, Idle Mixture
95	690718		SCREW -(Throttle Valve)
104	690739		PIN, Float Hinge
105	809759		VALVE, Float Needle
108	844652		VALVE, Choke
109	841914		SHAFT, Choke -Used Before Code Date 10101500
117	844649		JET, Main -(Standard) (Right Jet) (#158)
117	842095		JET, Main -(Standard) (Left Jet) (#152)
117A	843365		JET, Main -(Standard) (Left Jet) (#138)
117A	842098		JET, Main -(Standard) (Right Jet) (#144)
118	842739		JET, Main -(High Altitude) (Right Jet) (#154)
118	842738		JET, Main -(High Altitude) (Left Jet) (#148)
118A	843587		JET, Main -(High Altitude) (Right Jet) (#140)
118A	843376		JET, Main -(High Altitude) (Left Jet) (#134)
130	841913		VALVE, Throttle
131	845038		KIT, Throttle Shaft
133	809637		FLOAT, Carburetor
137	809645		GASKET, Float Bowl
141	845036		KIT, Choke Shaft
147A	842740		JET, Pilot -(Stamp Mark #52)
163	807375		GASKET, Air Cleaner
163A	843117		GASKET, Air Cleaner -Used After Code Date 06062200
163B	841852		GASKET, Air Cleaner -Used Before Code Date 06062300
187	845503		LINE-FUEL -(60 Inches )(Cut to Required Length)
187	791745		LINE, Fuel -(23 Inches )(Cut To Required Length)
187	791766		LINE, Fuel -(15 Inches Long)(Cut to Required Length)
187	841589		LINE, Fuel -(35 Inches )(Cut To Required Length)
187A	844082		LINE, Fuel -(Fuel Pump to Carburetor) (Check Valve)
187B	844524		LINE, Fuel -(Formed Hose)
187C	791744		LINE, Fuel -(Formed Hose) (Cut to Required Length)
231	690718		SCREW -(Choke Valve)
240	845125		FILTER, Fuel
276	806476		WASHER, Sealing
318	841233		SCREW -(Mounting Bracket) (M6x10mm)

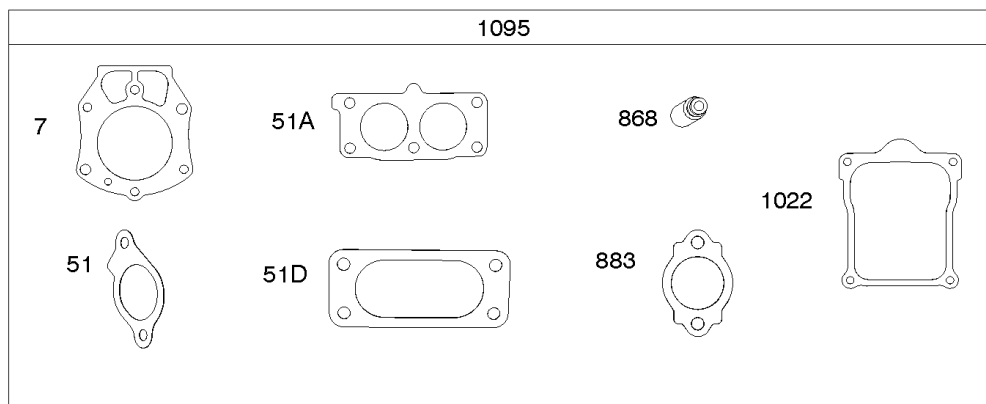
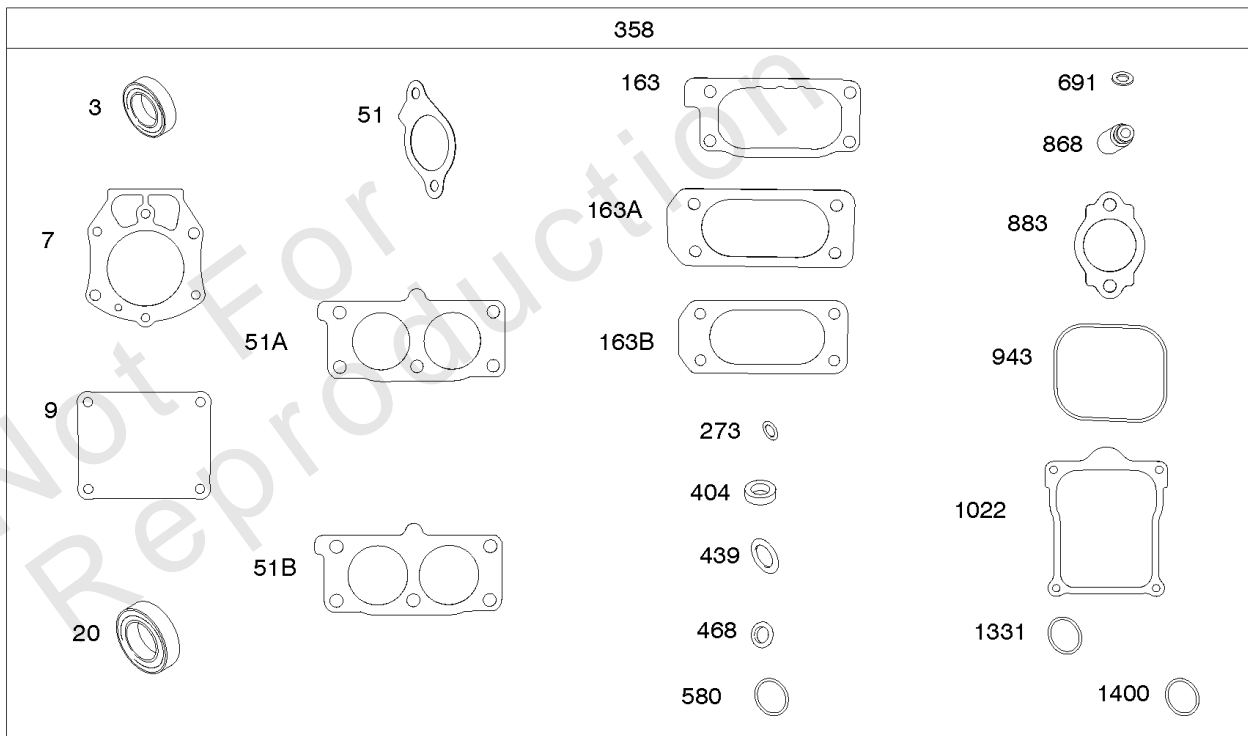
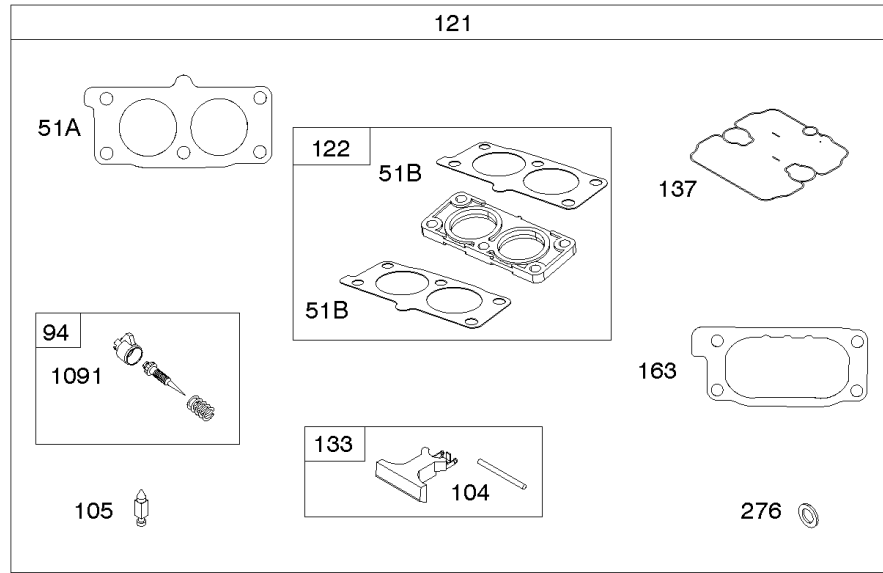
# Carburetor (Non Solenoid), Fuel Supply

Mfg. No: 613477-2192-J1



## Carburetor (Non Solenoid), Fuel Supply

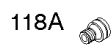
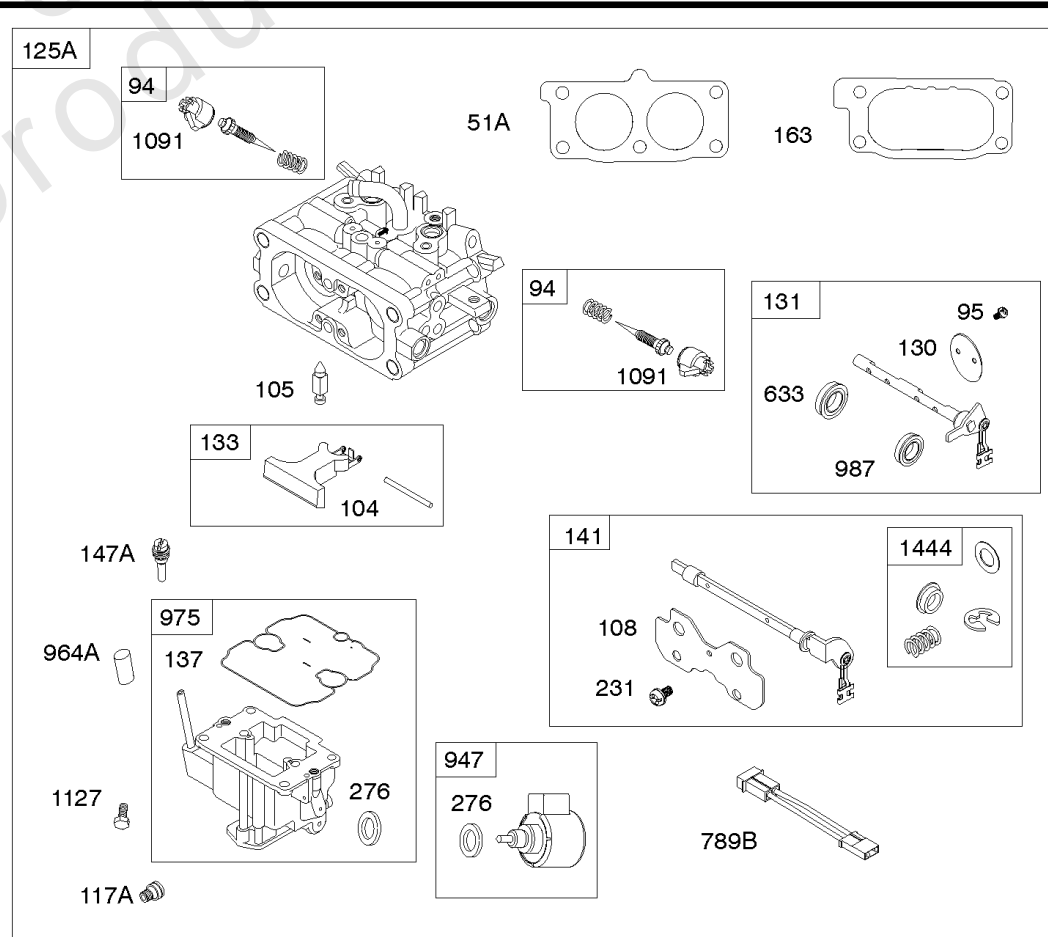
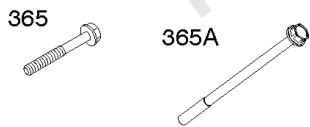
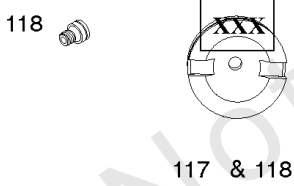
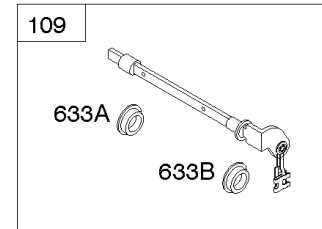
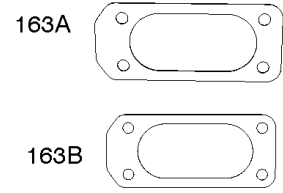
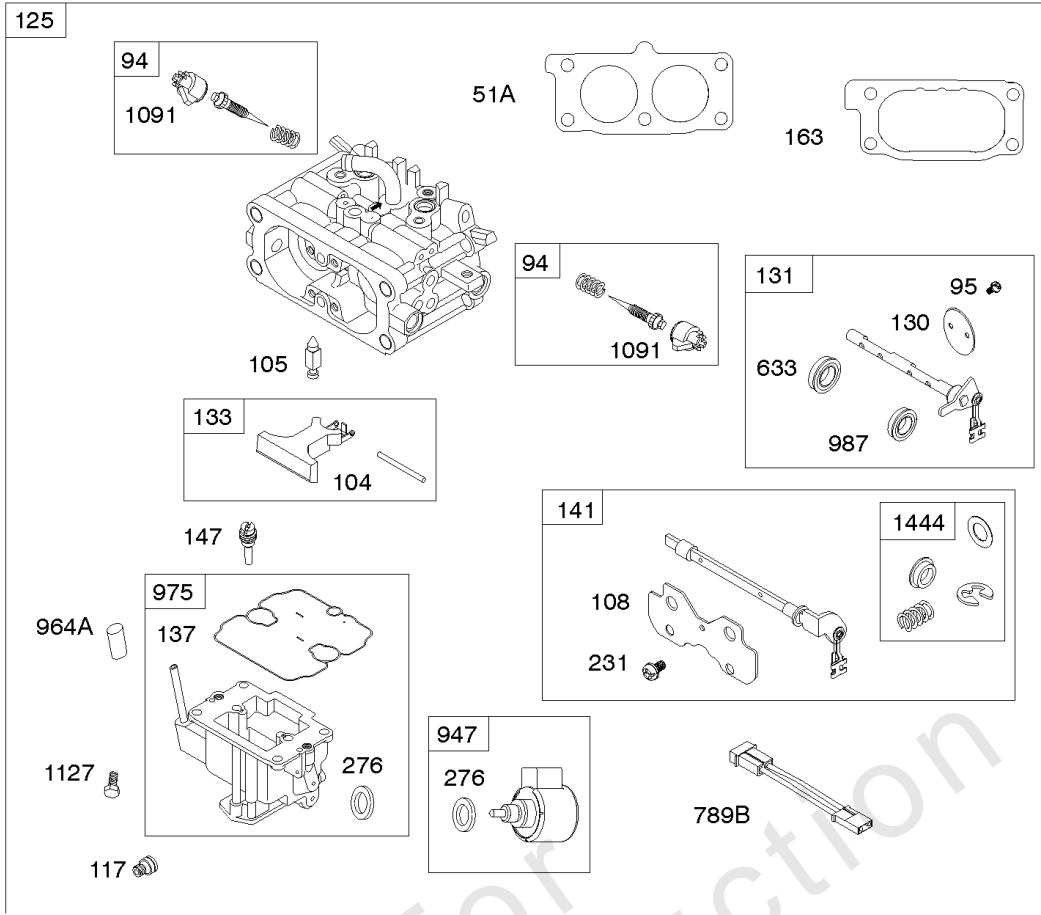
REF NO	PART NO	QTY	DESCRIPTION
365	807437		SCREW -(Carburetor/Throttle Body) (M6x85mm)
365A	841853		SCREW -(Carburetor/Throttle Body) (M6x103mm)
385	809876		SCREW -(Fuel Pump) (M5x22mm)
385A	807084		SCREW -(Fuel Pump) (M6x14mm)
387	844087		PUMP, Fuel -(Mechanical Pump)
387A	844527		PUMP, Fuel -(Pulse Pump)
493	842713		BRACKET, Mounting -(Speed Sensor)
493A	845619		BRACKET, Mounting -(Fuel Line)
601B	791850		CLAMP, Hose -(Green)
601C	691038		CLAMP, Hose -(Black)
633	809641		SEAL, Choke/Throttle Shaft -(Throttle Shaft)
633A	809638		SEAL, Choke/Throttle Shaft -(Choke Shaft #1) (Neutral) -Used Before Code Date 10081700
633B	809644		SEAL, Choke/Throttle Shaft -(Choke Shaft #2) -Used Before Code Date 10081700
788	844528		BRACKET, Fuel Pump
918	844525		HOSE, Vacuum -(Formed Hose) (Cut to Required Length)
955	691511		PLUG, Carburetor
964A	809640		CAP, Connector
975	842106		BOWL, Float
987	809639		SEAL, Choke/Throttle Shaft
1091	691515		CAP, Limiter
1127	809715		SCREW -(Float Bowl to Carburetor Body)
1331	809894		SEAL, O-Ring -(Fuel Pump)
1413	844449		SENSOR, Speed
1444	845039		KIT, Choke Shaft Seal





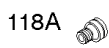
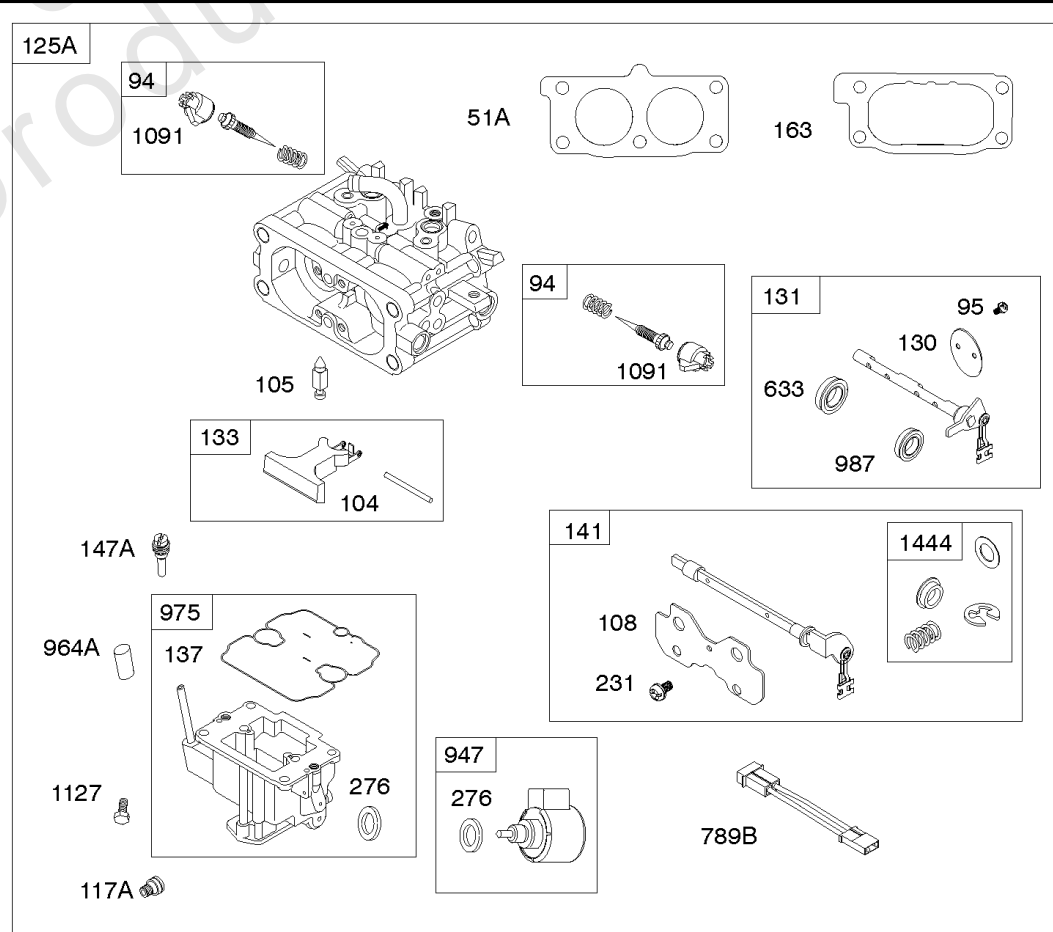
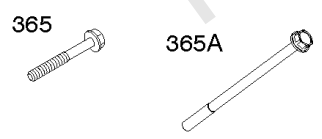
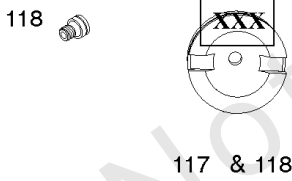
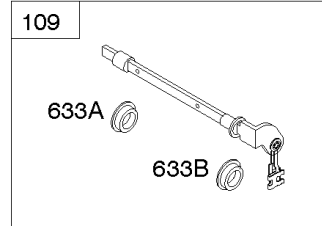
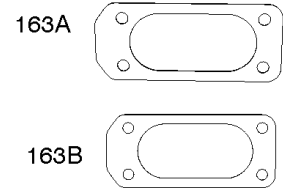
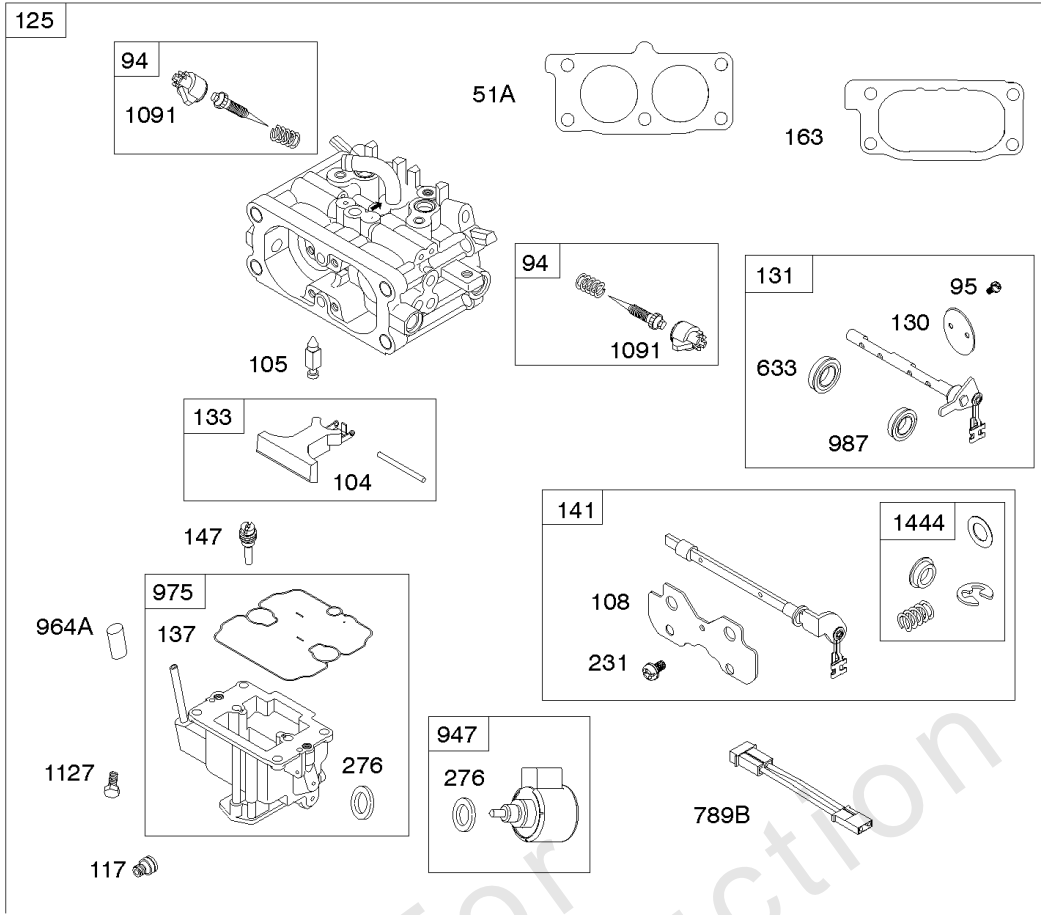
## Carburetor Overhaul Kit, Engine/Valve Gasket Sets

REF NO	PART NO	QTY	DESCRIPTION
3	841596		SEAL, Oil -(Magneto Side)
7	809730		GASKET, Cylinder Head
9	842545		GASKET, Breather
20	841596		SEAL, Oil -(PTO Side)
51	841592		GASKET, Intake
51A	809910		GASKET, Intake -(Intake Hole Diameter - 30mm)
51B	841882		GASKET, Intake -(Intake Hole Diameter - 32mm)
51D	843455		GASKET, Intake
94	843295		KIT, Idle Mixture
104	690739		PIN, Float Hinge
105	809759		VALVE, Float Needle
121	843297		KIT, Carburetor Overhaul
122	846245		SPACER, Carburetor
133	809637		FLOAT, Carburetor
137	809645		GASKET, Float Bowl
163	807375		GASKET, Air Cleaner
163A	843117		GASKET, Air Cleaner -Used After Code Date 06062200
163B	841852		GASKET, Air Cleaner -Used Before Code Date 06062300
273	690681		SEAL, O-Ring -(Oil Pump)
276	806476		WASHER, Sealing
358	841122		GASKET SET, Engine
404	809436		WASHER -(Governor Crank)
439	692154		O-RING, Oil Gallery -(Crankcase Cover/Sump or Cylinder Assembly)
468	690690		SEAL, O-Ring -(Oil Pump Screen)
580	809894		SEAL, O-Ring -(Oil Fill Cap)
691	809287		SEAL, Governor Shaft
868	691963		SEAL, Valve
883	809872		GASKET, Exhaust
943	842538		SEAL, O-Ring -(Oil Pump Cover)
1022	809732		GASKET, Rocker Cover
1091	691515		CAP, Limiter
1095	843713		GASKET SET, Valve
1331	809894		SEAL, O-Ring -(Fuel Pump)
1400	809894		SEAL, O-Ring -(Fuel Pump Cover)



## Carburetors (Solenoid)

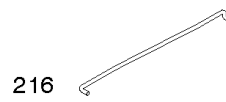
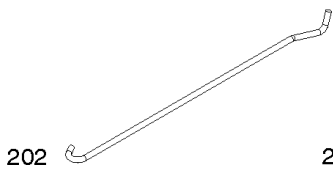
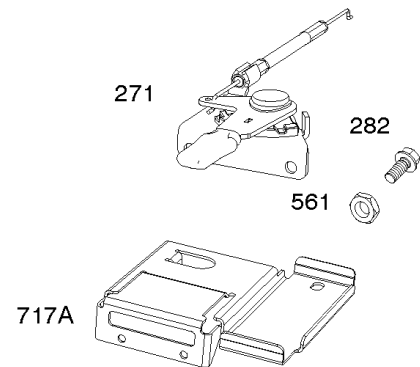
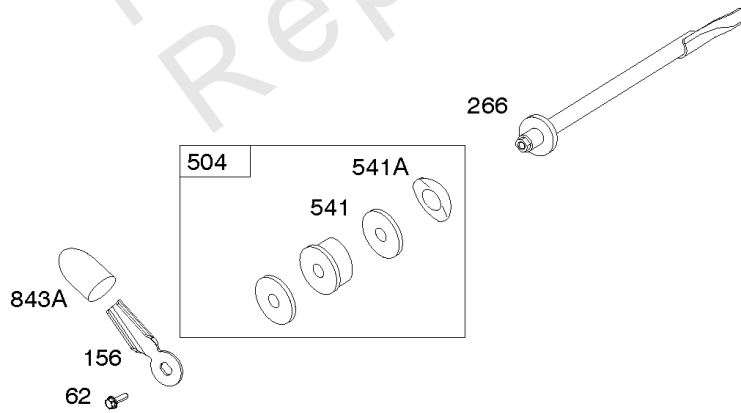
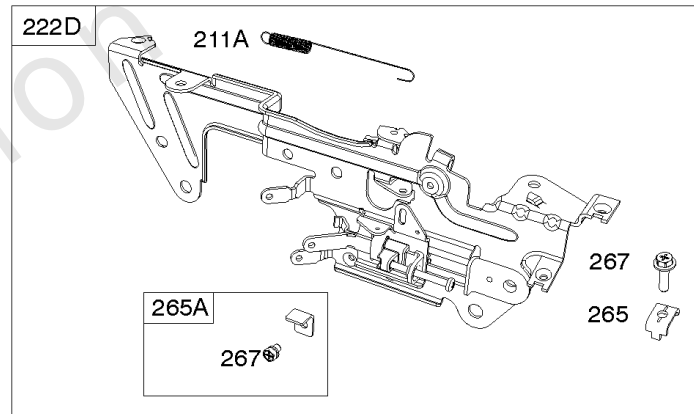
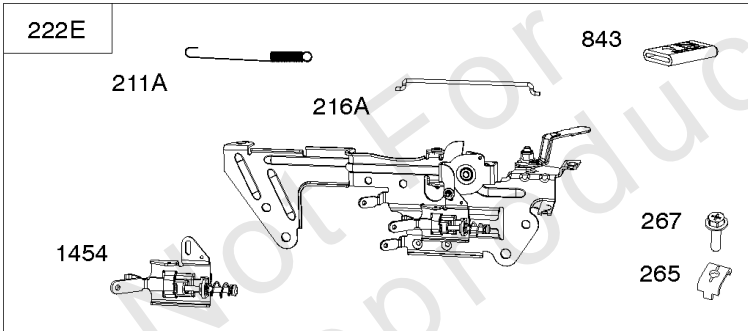
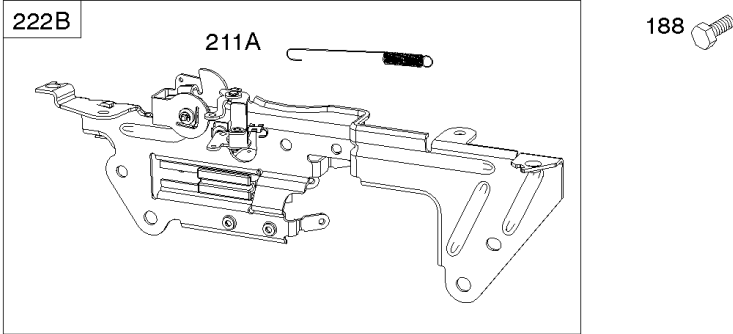
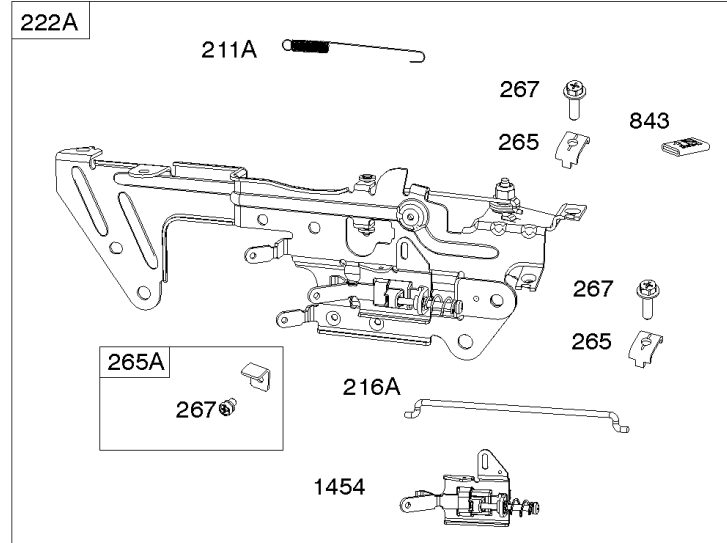
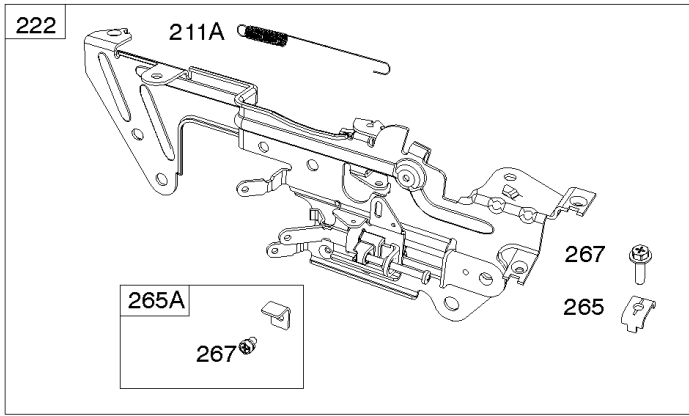
REF NO	PART NO	QTY	DESCRIPTION
51A	809910		GASKET, Intake -(Intake Hole Diameter - 30mm)
94	843295		KIT, Idle Mixture
95	690718		SCREW -(Throttle Valve)
104	690739		PIN, Float Hinge
105	809759		VALVE, Float Needle
108	844652		VALVE, Choke
109	841914		SHAFT, Choke -Used Before Code Date 10101500
117	844649		JET, Main -(Standard) (Right Jet) (#158)
117	842095		JET, Main -(Standard) (Left Jet) (#152)
117A	843365		JET, Main -(Standard) (Left Jet) (#138)
117A	842098		JET, Main -(Standard) (Right Jet) (#144)
118	842739		JET, Main -(High Altitude) (Right Jet) (#154)
118	842738		JET, Main -(High Altitude) (Left Jet) (#148)
118A	843587		JET, Main -(High Altitude) (Right Jet) (#140)
118A	843376		JET, Main -(High Altitude) (Left Jet) (#134)
125	845273		CARBURETOR -(Fuel Solenoid)
130	841913		VALVE, Throttle
131	845038		KIT, Throttle Shaft
133	809637		FLOAT, Carburetor
137	809645		GASKET, Float Bowl
141	845036		KIT, Choke Shaft
147	842069		NOZZLE, Carburetor -(Stamp Mark #50)
147A	842740		JET, Pilot -(Stamp Mark #52)
163	807375		GASKET, Air Cleaner
163A	843117		GASKET, Air Cleaner -Used After Code Date 06062200
163B	841852		GASKET, Air Cleaner -Used Before Code Date 06062300
231	690718		SCREW -(Choke Valve)
276	806476		WASHER, Sealing
365	807437		SCREW -(Carburetor/Throttle Body) (M6x85mm)
365A	841853		SCREW -(Carburetor/Throttle Body) (M6x103mm)
633	809641		SEAL, Choke/Throttle Shaft -(Throttle Shaft)
633A	809638		SEAL, Choke/Throttle Shaft -(Choke Shaft #1) (Neutral) -Used Before Code Date 10081700
633B	809644		SEAL, Choke/Throttle Shaft -(Choke Shaft #2) -Used Before Code Date 10081700
947	842109		SOLENOID, Fuel



## Carburetors (Solenoid)

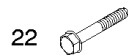
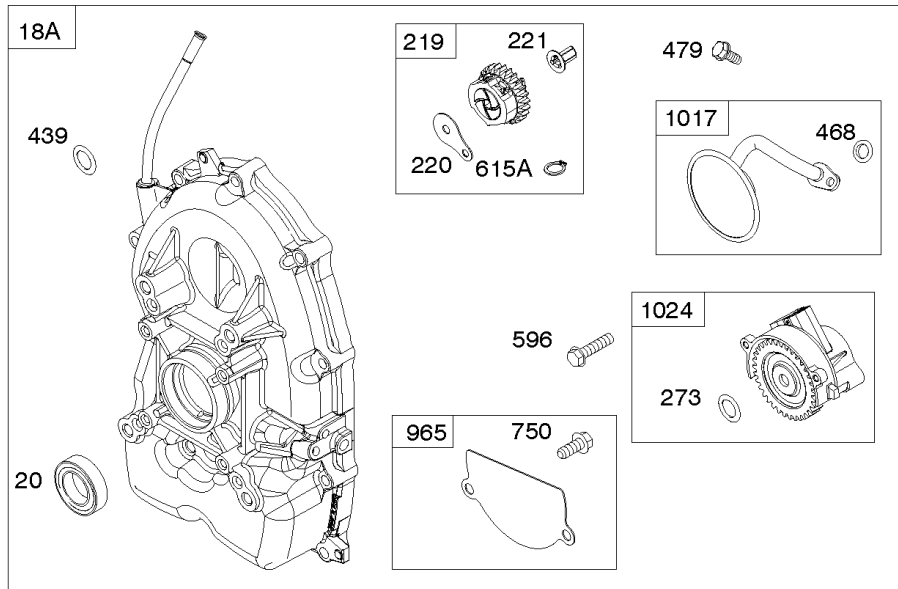
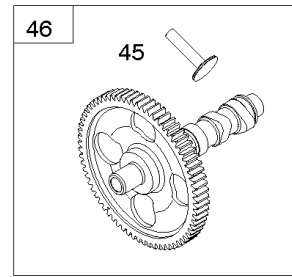
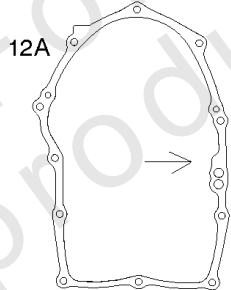
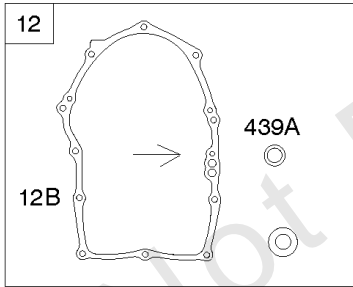
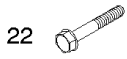
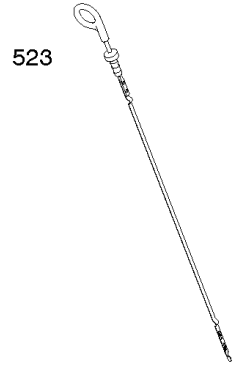
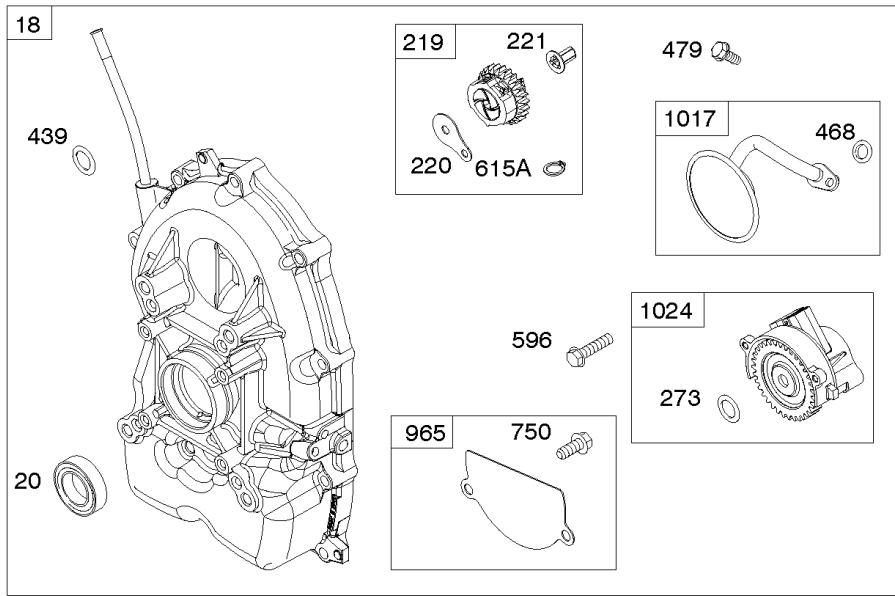
REF NO	PART NO	QTY	DESCRIPTION
964A	809640		CAP, Connector
975	842106		BOWL, Float
987	809639		SEAL, Choke/Throttle Shaft
1091	691515		CAP, Limiter
1127	809715		SCREW -(Float Bowl to Carburetor Body)
1444	845039		KIT, Choke Shaft Seal

Not For Reproduction



## Control Brackets, Springs, Links

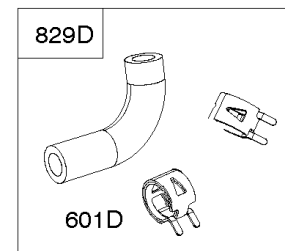
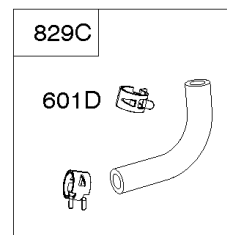
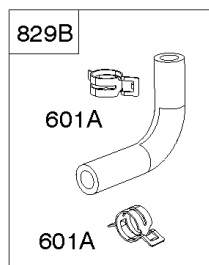
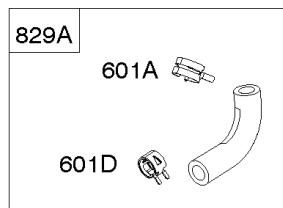
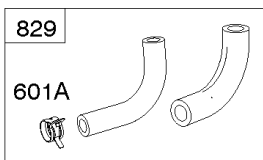
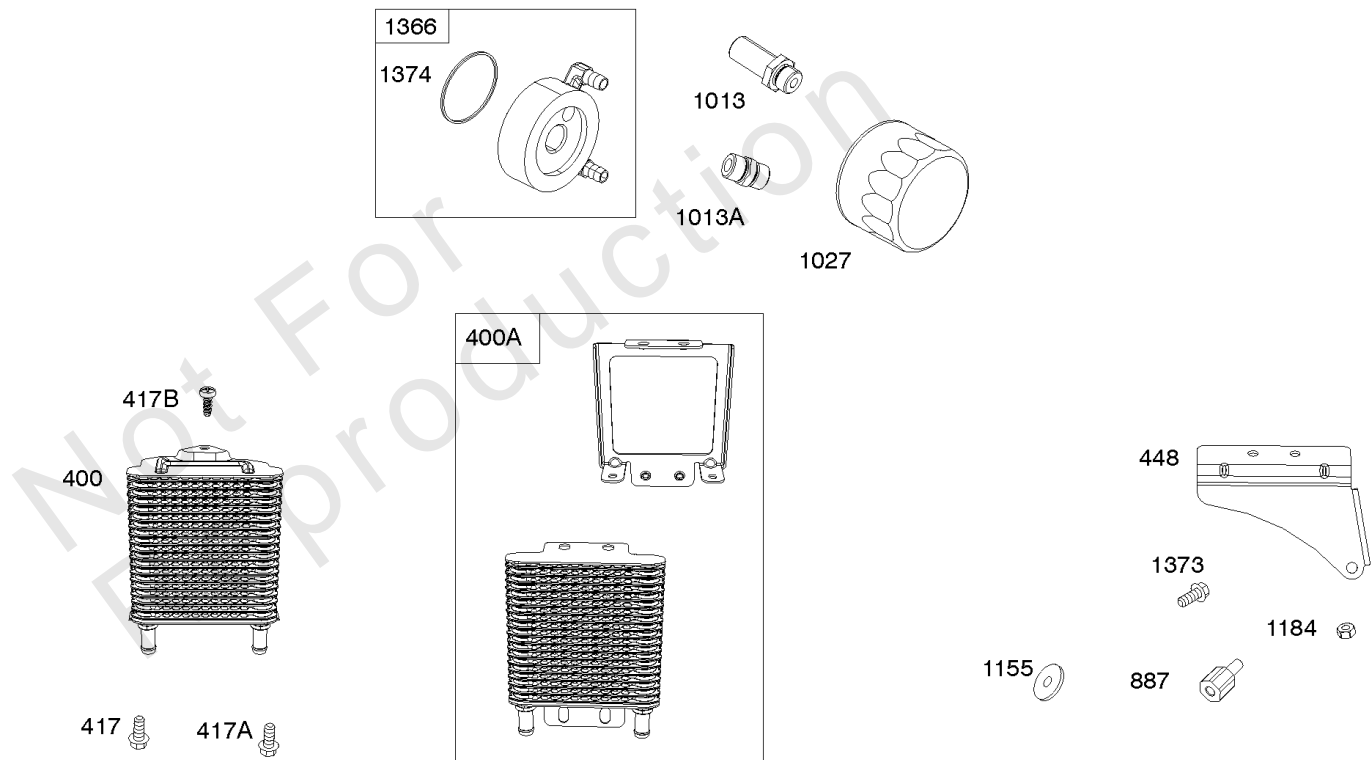
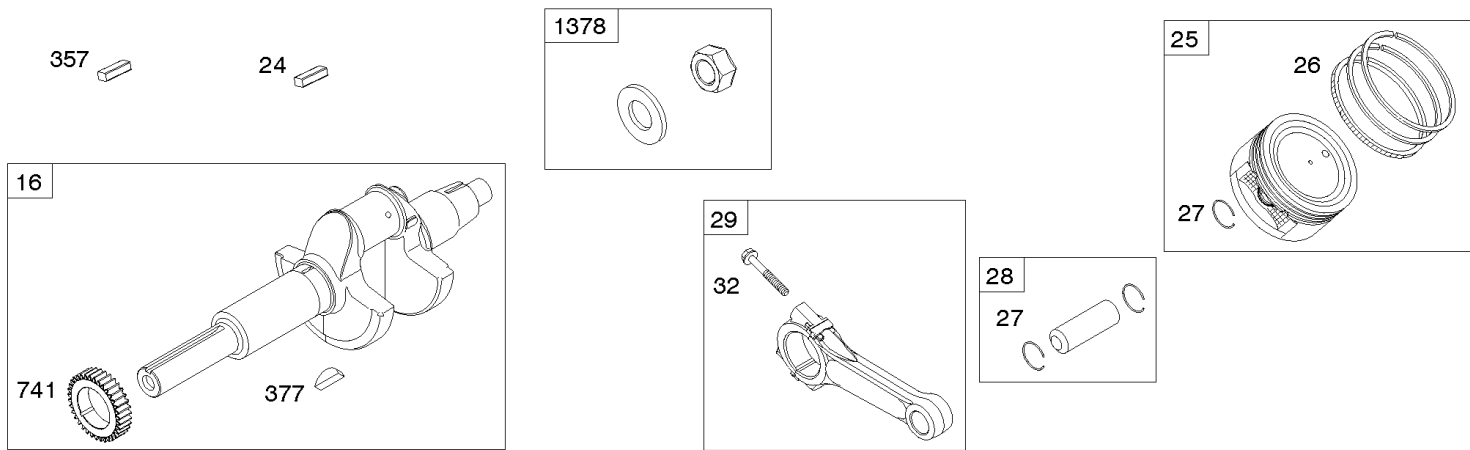
REF NO	PART NO	QTY	DESCRIPTION
62	841233		SCREW -(Speed Adjuster Lever)
156	841522		LEVER, Control
188	692062		SCREW -(Control Bracket)
202	841322		LINK, Mechanical Governor
209	841500		SPRING, Governor -(Purple)
211	809875		SPRING, Governed Idle -(White)
211A	690707		SPRING, Governed Idle -(Control Bracket) (White)
216	845297		LINK, Choke
216A	841671		LINK, Choke -(Control Bracket)
222	841528		BRACKET, Control
222A	841492		BRACKET, Control
232	690545		SPRING/LINK, Governor
265	691024		CLAMP, Casing -(Control Bracket)
265A	841673		CLAMP, Casing -(Control Bracket)
266	841521		CONTROL, Throttle
267	841552		SCREW -(Casing Clamp) (M5x20mm)
271	692541		LEVER, Control -(Throttle)
282	841552		SCREW -(Control Lever)
504	846156		WASHER -(Speed Adjuster Lever)
541	841525		WASHER -(Speed Adjuster Lever) (Flat Washer)
541A	841526		WASHER -(Speed Adjuster Lever) (Wave Washer)
561	690713		NUT -(Control Lever)
717A	842730		BRACKET, Air Cleaner
843	809672		SLEEVE, Lever -(Control Bracket)
843A	842745		SLEEVE, Lever -(Speed Adjuster Lever)
1454	845807		SLIDER, Governor





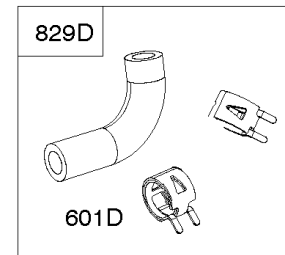
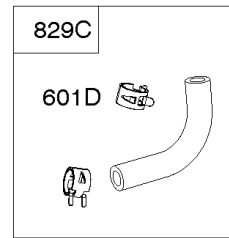
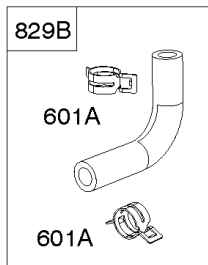
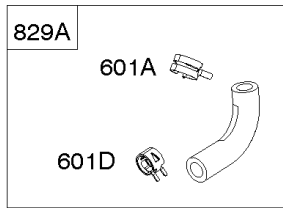
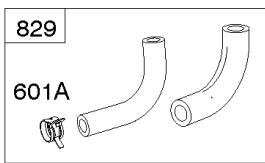
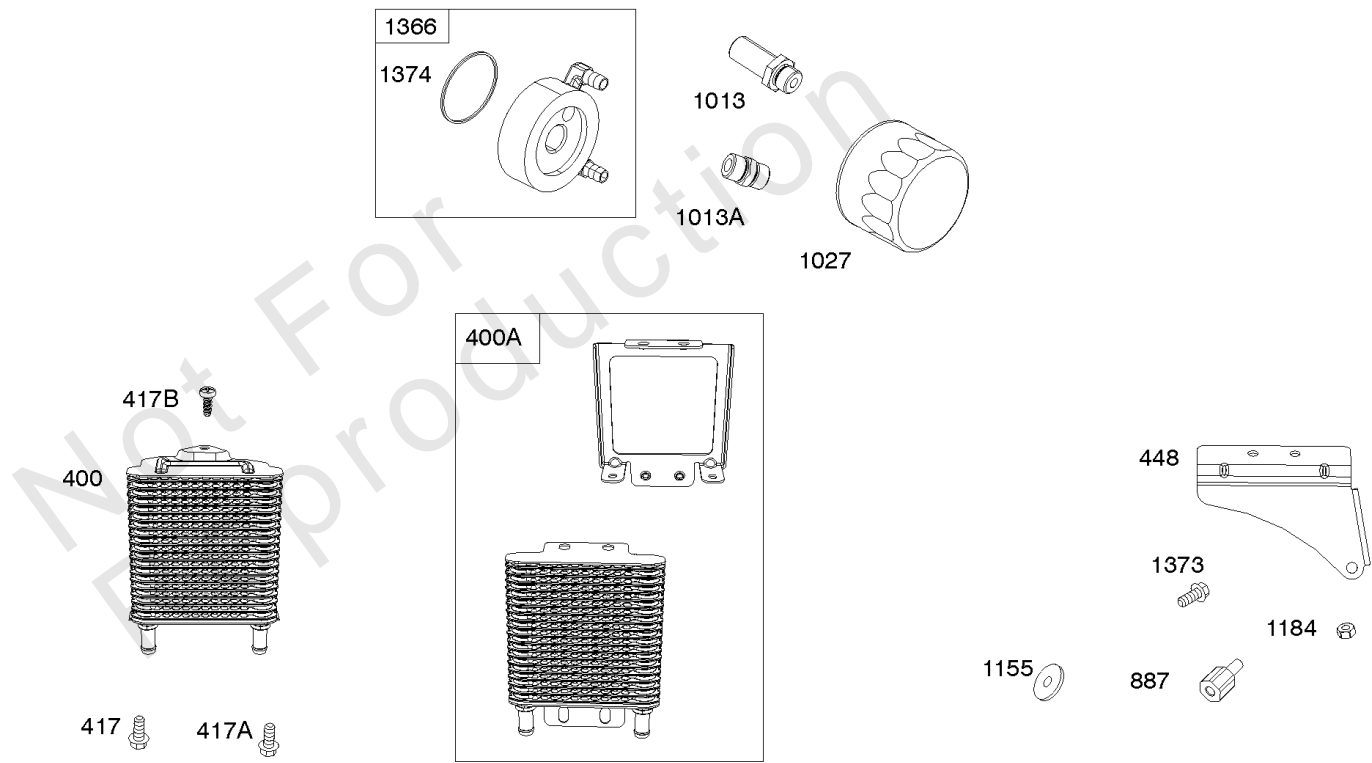
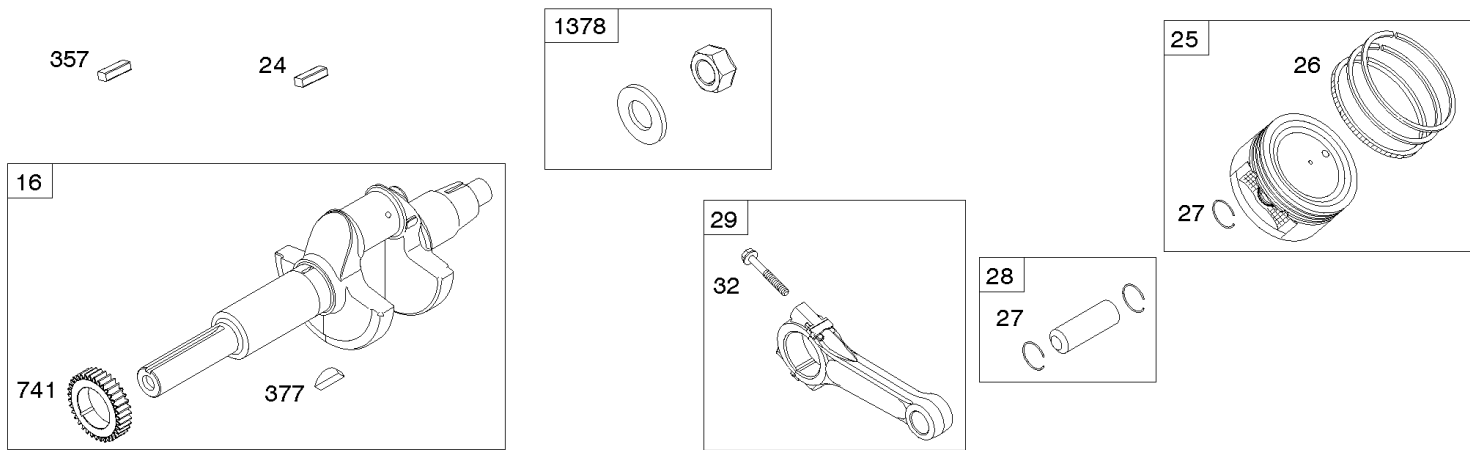
## Crankcase Covers, Camshaft

REF NO	PART NO	QTY	DESCRIPTION
12	846037		GASKET, Crankcase -Used After Code Date 13072100
12A	844107		GASKET, Crankcase -Used Before Code Date 13072200
12B	843969		GASKET, Crankcase
18	844792		COVER, Crankcase
20	841596		SEAL, Oil -(PTO Side)
22	807362		SCREW -(Crankcase Cover/Sump) (M8x50mm)
45	809785		TAPPET, Valve
46	809879		CAMSHAFT
219	809426		GEAR, Governor
220	841608		WASHER -(Governor Gear)
221	841026		CUP, Governor
273	690681		SEAL, O-Ring -(Oil Pump)
439	692154		O-RING, Oil Gallery -(Crankcase Cover/Sump or Cylinder Assembly)
439A	846027		O-RING, Oil Gallery -(Crankcase Cover/Sump or Cylinder Assembly) -Used Before Code Date 13072200
468	690690		SEAL, O-Ring -(Oil Pump Screen)
479	807084		SCREW -(Oil Pump Screen)
523	841007		DIPSTICK
596	691492		SCREW -(Oil Pump)
615A	698290		RETAINER, Governor Shaft -(Crankcase Cover/Sump)
750	841233		SCREW -(Oil Pump Cover)
965	809422		COVER, Oil Pump
1017	809421		SCREEN, Oil Pump
1024	845983		PUMP, Oil



## Crankshaft, Piston/Rings/Connecting Rods, Oil Coolers

REF NO	PART NO	QTY	DESCRIPTION
16	841844		CRANKSHAFT
24	222698S		KEY, Flywheel -(Aluminum) -Used Before Code Date 07122800
24	796335		KEY, Flywheel -(Steel) -Used After Code Date 07122700
25	841837		PISTON ASSEMBLY -(Standard)
25	842939		PISTON ASSEMBLY -(.020 Oversize)
26	809972		SET, Ring -(Standard)
26	841932		SET, Ring -(.020 Oversize)
27	807351		LOCK, Piston Pin
28	807361		PIN, Piston
29	841838		ROD, Connecting
32	807363		SCREW -(Connecting Rod)
377	691639		KEY, Woodruff
400	846249		COOLER, Oil -Used After Code Date 14022800
400A	846489		COOLER, Oil -Used Before Code Date 14030100
417	841233		SCREW -(Oil Cooler) (M6x10mm)
417A	843345		SCREW -(Oil Cooler) (M6x8mm) -Used Before Code Date 13072700
417B	846250		SCREW -(Oil Cooler) (M6x16mm) -Used After Code Date 14022800
448	845593		BRACKET, Oil Cooler -(Oil Cooler) -Used Before Code Date 14030100
601A	841597		CLAMP, Hose -(Oil Cooler Hose)
601D	845209		CLAMP, Hose -(Oil Cooler Hose)
741	809432		GEAR, Timing
829	846155		HOSE, Oil Cooler
829A	846247		HOSE, Oil Cooler -Used After Code Date 14022800
829B	846248		HOSE, Oil Cooler -Used After Code Date 14022800
887	845594		STUD -(Support Bracket)
1013	841602		NIPPLE, Oil Filter
1027	842921		FILTER, Oil
1155	806647		WASHER -(Oil Cooler) -Used Before Code Date 13072700
1184	690939		NUT -(Support Bracket)
1366	841510		DIVERTER, Oil Cooler
1373	841233		SCREW -(Oil Cooler Bracket) (M6x10mm)
1374	841506		SEAL, O-Ring -(Oil Cooler Diverter)



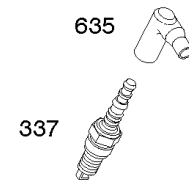
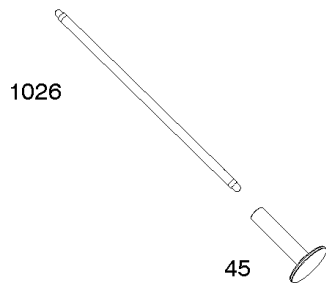
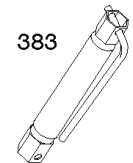
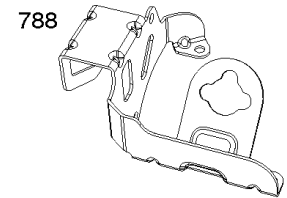
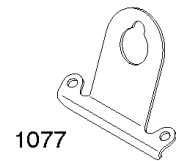
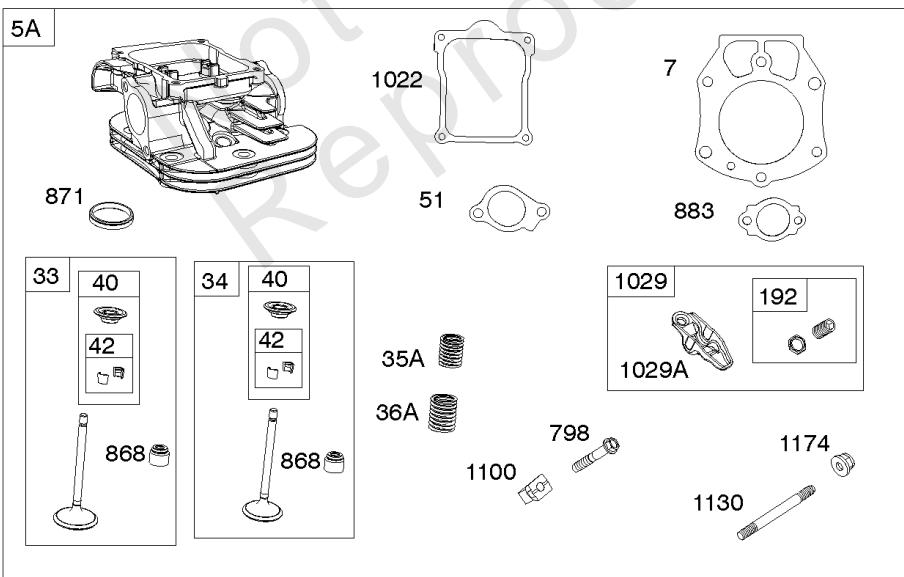
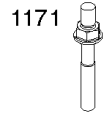
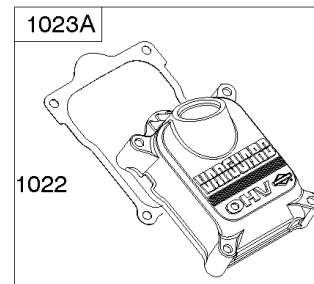
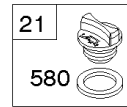
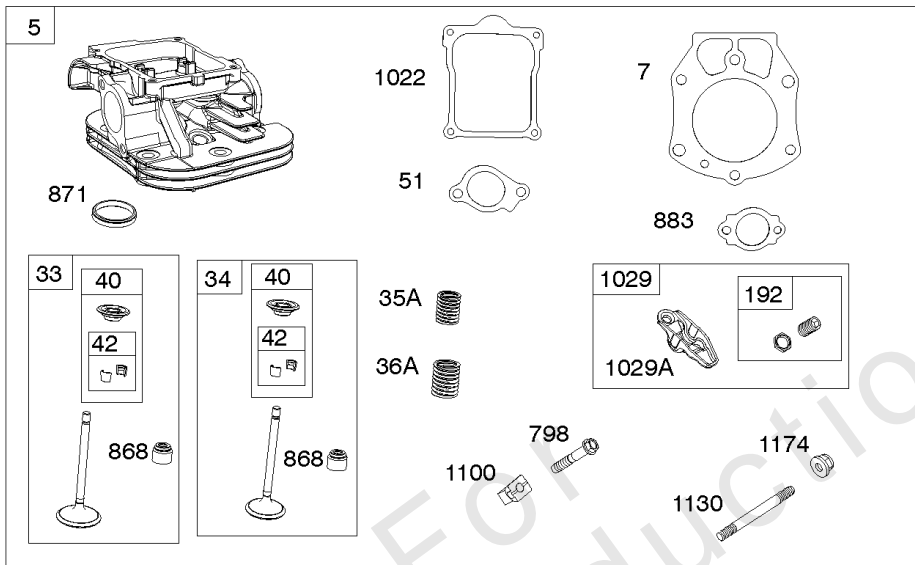
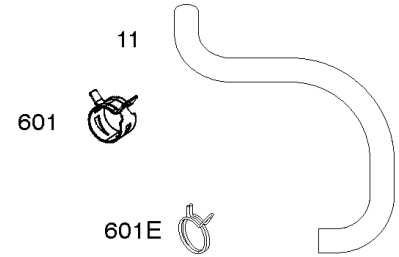
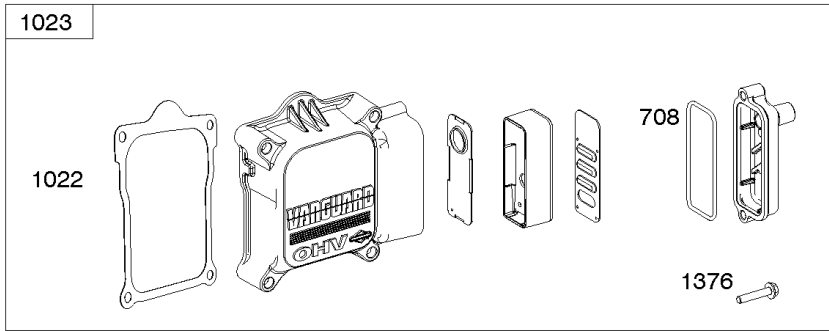
## ***Crankshaft, Piston/Rings/Connecting Rods, Oil Coolers***

---

<b>REF NO</b>	<b>PART NO</b>	<b>QTY</b>	<b>DESCRIPTION</b>
1378	844795		SET, Washer/Nut -(Flywheel)

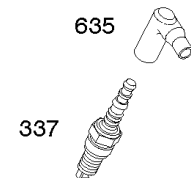
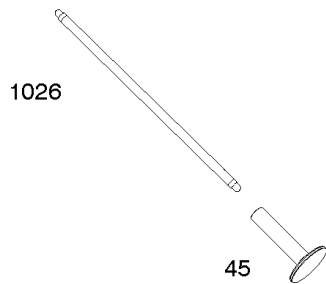
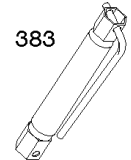
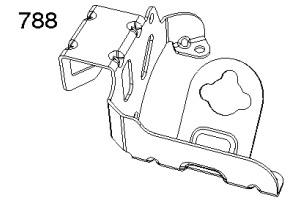
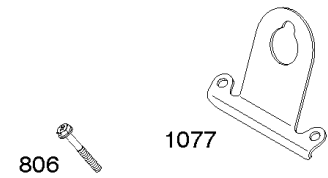
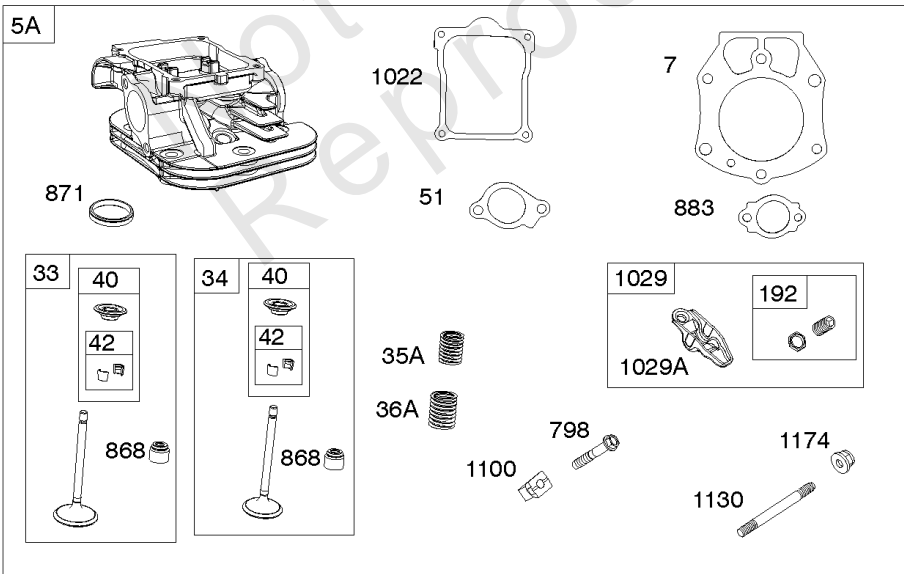
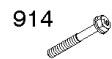
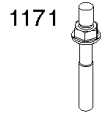
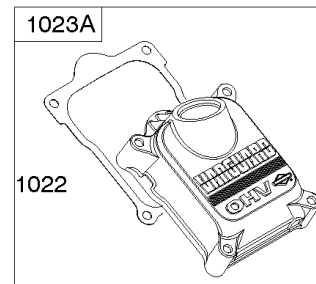
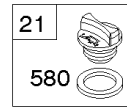
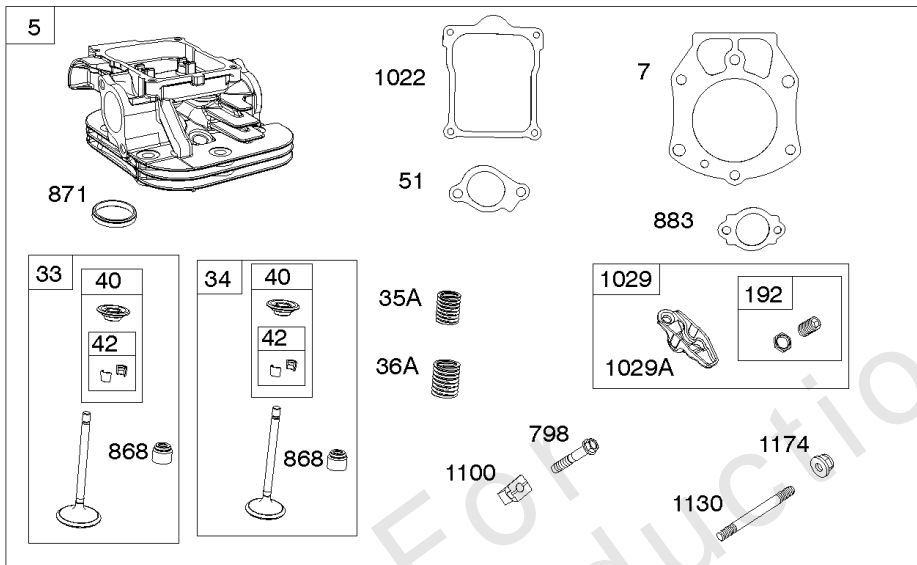
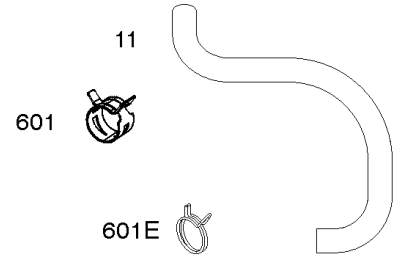
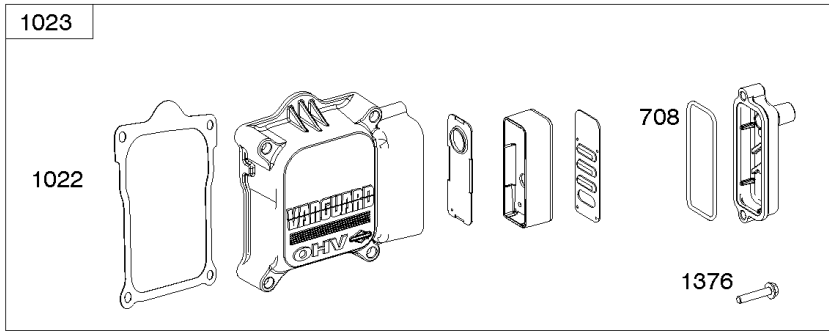
---

Not For Reproduction



## Cylinder Heads, Rocker Covers

REF NO	PART NO	QTY	DESCRIPTION
5	845588		HEAD, Cylinder -(Cylinder 1)
5A	845590		HEAD, Cylinder -(Cylinder 2)
7	809730		GASKET, Cylinder Head
11	809736		TUBE, Breather
13	809784		SCREW -(Cylinder Head)
21	843464		CAP, Oil Fill
33	843729		VALVE, Exhaust
34	843730		VALVE, Intake
35	809374		SPRING, Valve -(Intake) (Intake) (White)
36	809374		SPRING, Valve -(Exhaust) (Exhaust) (White)
40	844788		RETAINER, Valve
42	807683		KEEPER, Valve
45	809785		TAPPET, Valve
51	841592		GASKET, Intake
192	690083		ADJUSTER, Rocker Arm
337	491055S		PLUG, Spark -(RC12YC) (Silver Terminal)
337	792015		PLUG, Spark -(XC92YC) (EMS) (Gold Terminal)
337	84007216	2	PLUG, SPARK -(China Only)
383	19576S		WRENCH, Spark Plug
580	809894		SEAL, O-Ring -(Oil Fill Cap)
601	844405		CLAMP, Hose -(Breather Tube) -Used After Code Date 07121300
601E	841499		CLAMP, Hose -(Breather Tube) -Used Before Code Date 07121400
635	692076		BOOT, Spark Plug
708	841301		SEAL, O-Ring -(Breather Reed)
788	844528		BRACKET, Fuel Pump
798	691492		SCREW -(Rocker Arm) (M6x30mm)
806	807357		SCREW -(Lifting Bracket)
868	691963		SEAL, Valve
871	692057		BUSHING, Valve Guide
883	809872		GASKET, Exhaust
914	807357		SCREW -(Rocker Cover)
1022	809732		GASKET, Rocker Cover
1023	809789		COVER, Rocker -(Cylinder #2)
1023A	809731		COVER, Rocker -(Cylinder #1)
1026	809783		ROD, Push -(Intake and Exhaust)
1029	690972		ARM, Rocker
1029A	807323		ARM, Rocker





## Cylinder Heads, Rocker Covers

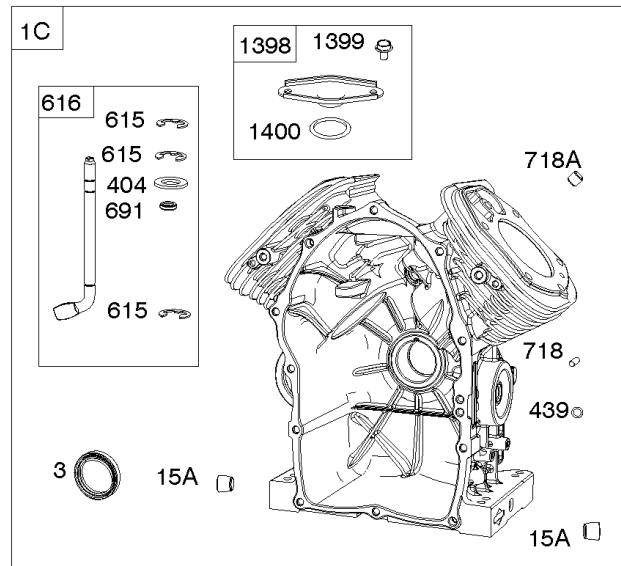
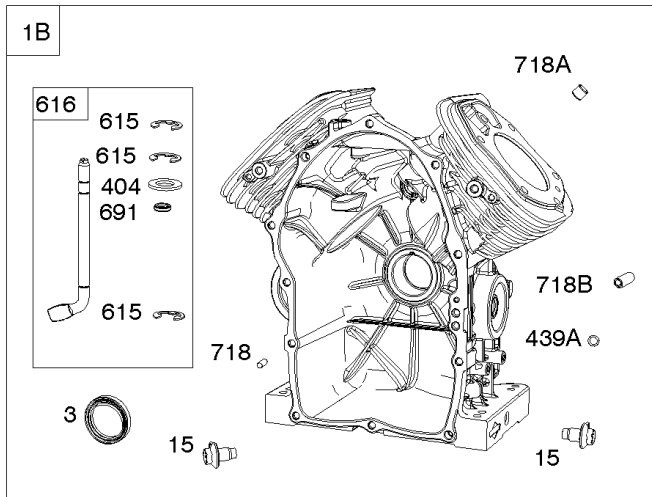
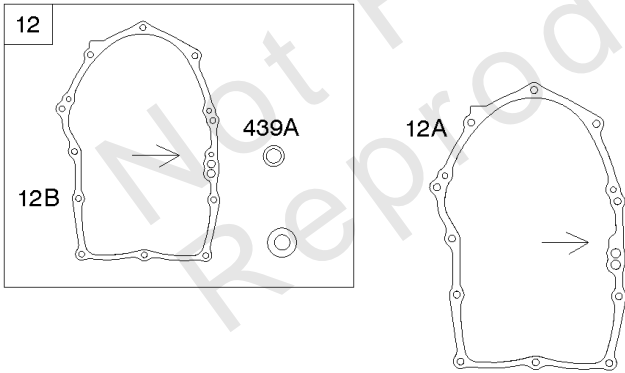
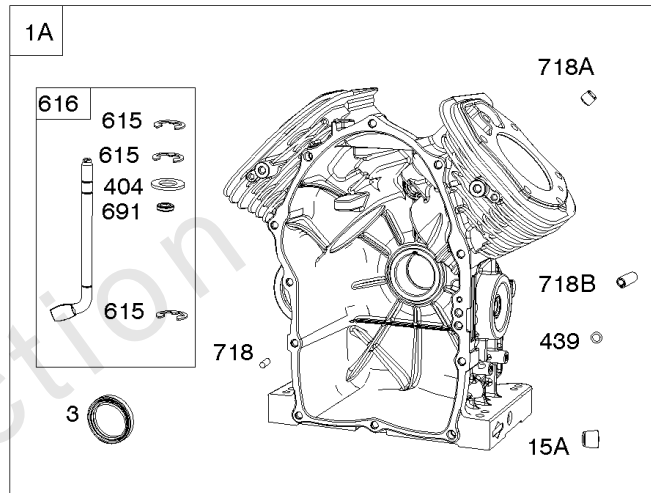
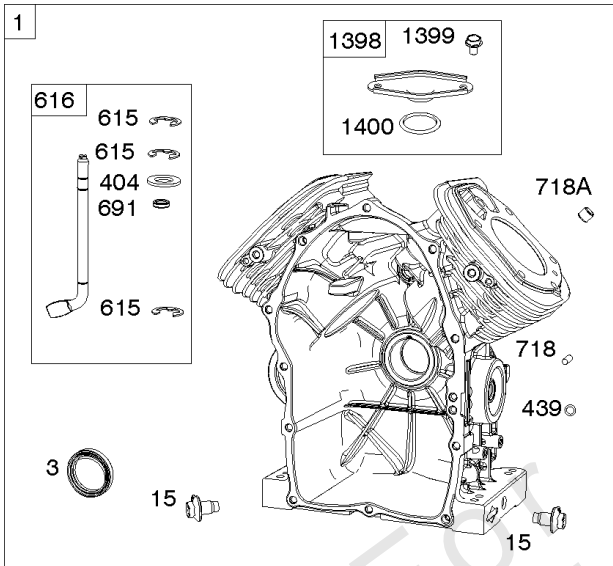
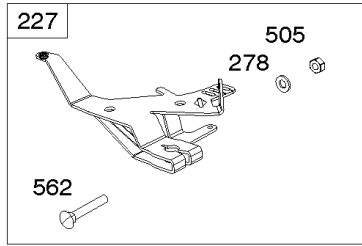
REF NO	PART NO	QTY	DESCRIPTION
1077	809729		BRACKET, Lifting
1100	791959		PIVOT, Rocker Arm
1130	841590		STUD -(Intake Manifold) -Used Before Code Date 10092900
1171	846324		STUD -(Rocker Cover)
1174	842067		NUT -(Intake Manifold) -Used Before Code Date 10092900
1376	806421		SCREW -(Breather Reed Cover)

Not For Reproduction

1036

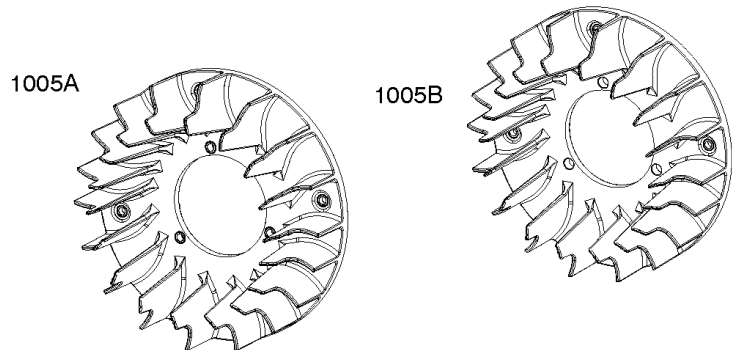
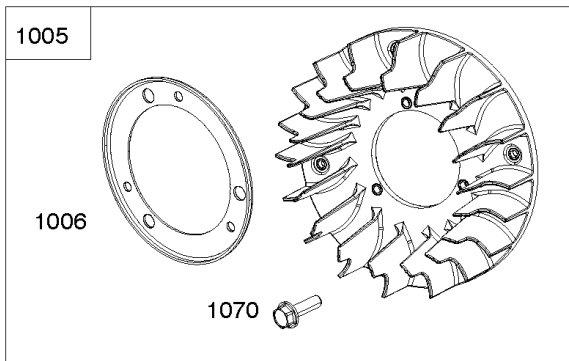
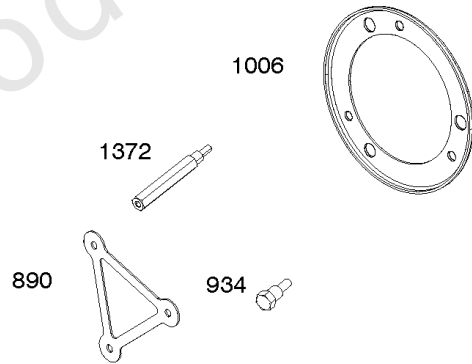
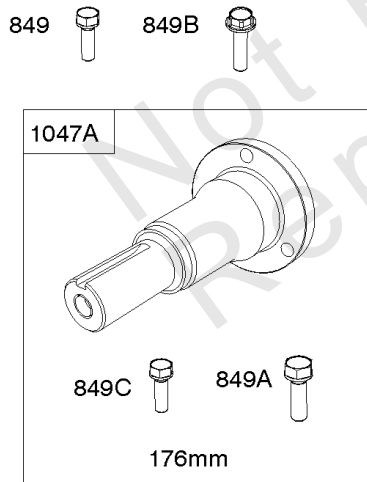
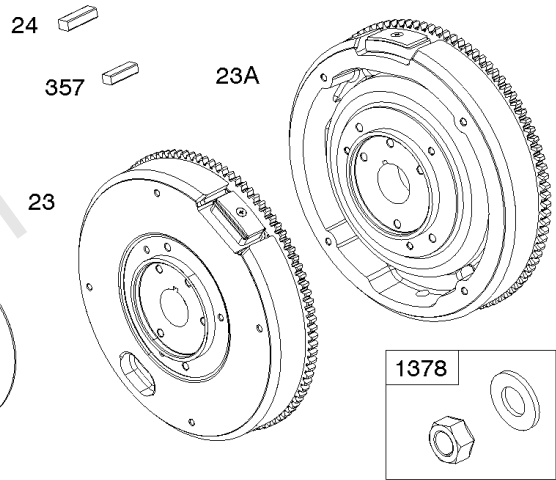
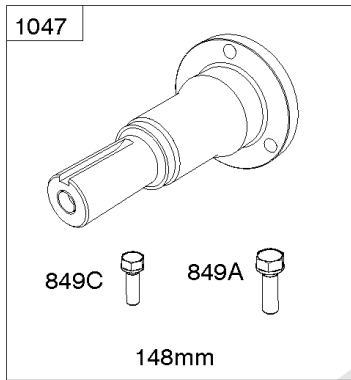
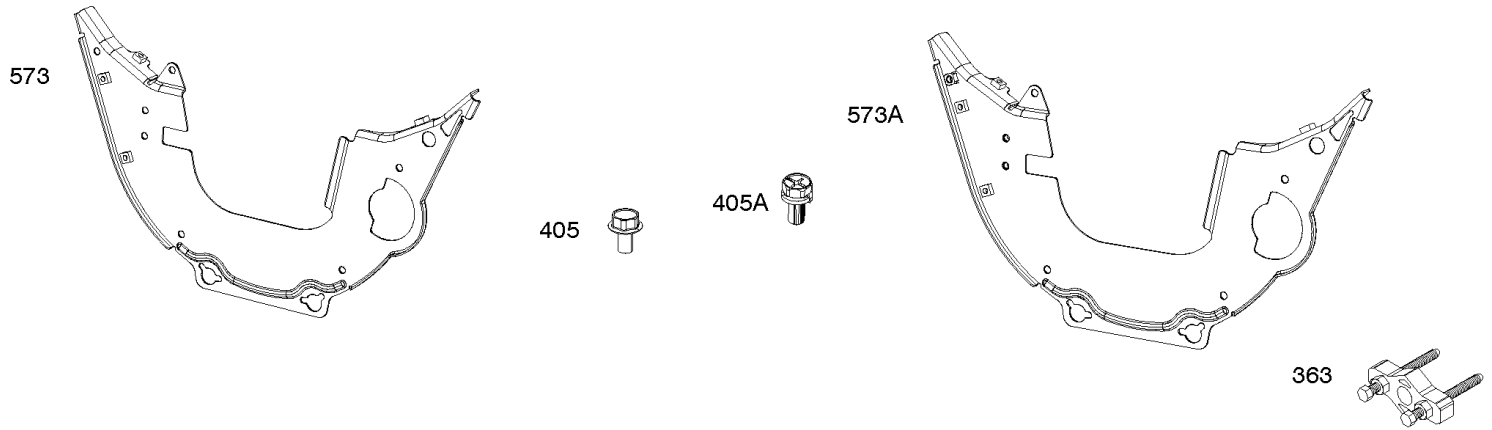
1319

1330



## Cylinders

REF NO	PART NO	QTY	DESCRIPTION
1	845756		CYLINDER ASSEMBLY
3	841596		SEAL, Oil -(Magneto Side)
12	846037		GASKET, Crankcase -Used After Code Date 13072100
12A	844107		GASKET, Crankcase -Used Before Code Date 13072200
12B	843969		GASKET, Crankcase
15	807392		PLUG, Oil Drain
15A	691680		PLUG, Oil Drain
227	809984		LEVER, Governor Control
239	841281		SWITCH, Oil Pressure
278	842122		WASHER -(Governor Control Lever)
404	809436		WASHER -(Governor Crank)
415	794903		PLUG
439	692154		O-RING, Oil Gallery -(Crankcase Cover/Sump or Cylinder Assembly)
439A	846027		O-RING, Oil Gallery -(Crankcase Cover/Sump or Cylinder Assembly) -Used Before Code Date 13072200
490	843433		BEARING, Magneto Side
505	844752		NUT -(Governor Control Lever)
562	843344		BOLT -(Governor Lever)
615	809533		RETAINER, Governor Shaft -(Cylinder)
616	844180		CRANK, Governor
691	809287		SEAL, Governor Shaft
718	690959		PIN, Locating -(Cylinder)
718A	809508		PIN, Locating -(Cylinder Head)
1036	-----		Label-Emissions -(Available From A Briggs & Stratton Authorized Dealer)
1319	794467		LABEL, Warning
1330	272144		MANUAL, Repair
1398	842191		COVER, Fuel Pump
1399	690932		SCREW -(Fuel Pump Cover)
1400	809894		SEAL, O-Ring -(Fuel Pump Cover)

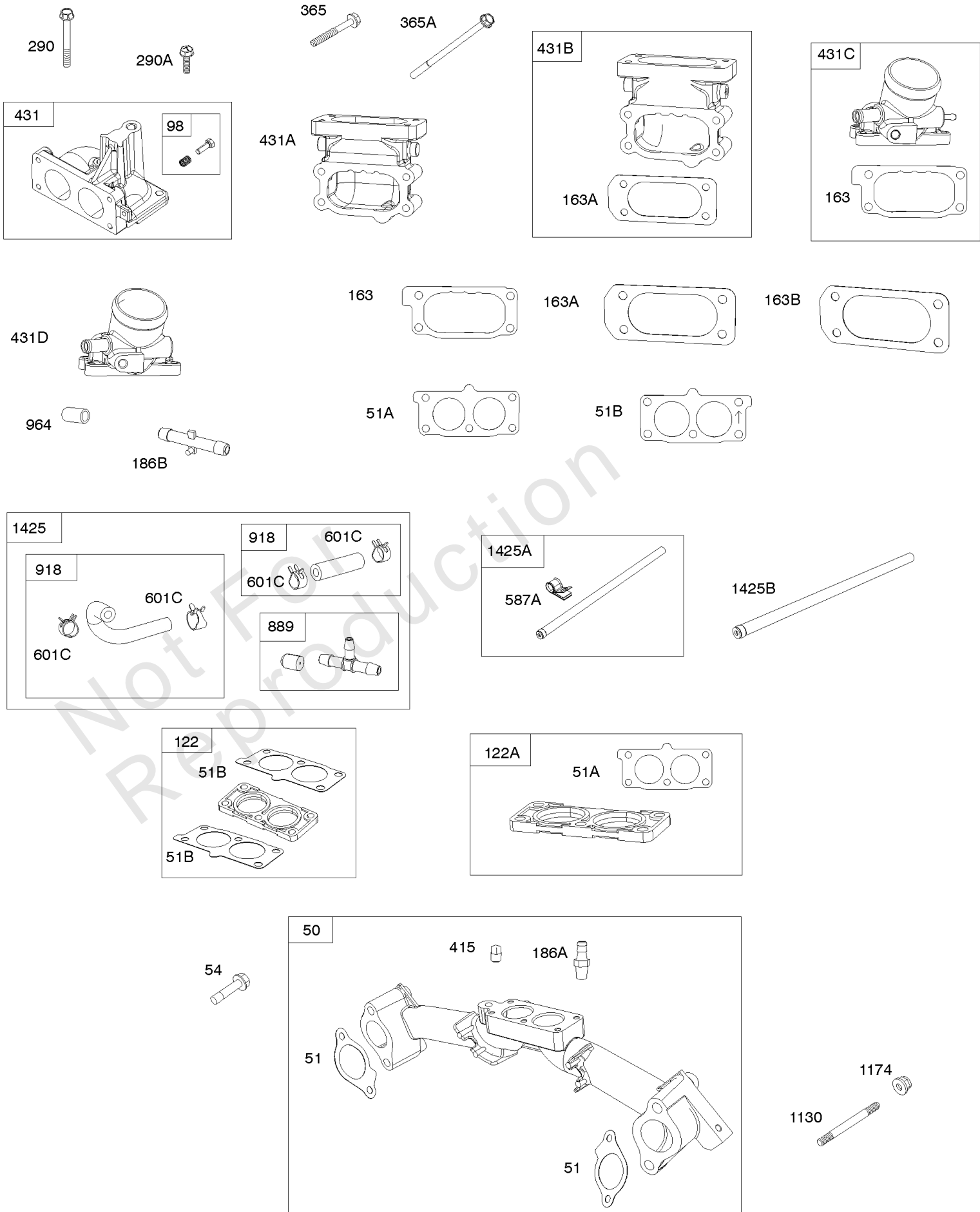


## Flywheels, Stub Shafts

REF NO	PART NO	QTY	DESCRIPTION
23	844385		FLYWHEEL
24	222698S		KEY, Flywheel -(Aluminum) -Used Before Code Date 07122800
24	796335		KEY, Flywheel -(Steel) -Used After Code Date 07122700
363	19203		PULLER, Flywheel
405	841233		SCREW -(Back Plate) (M6x10mm)
405A	841735		SCREW -(Back Plate) (M6x14mm)
573	846840		PLATE, Back
573A	842712		PLATE, Back -(With Weld Nuts)
849	691088		SCREW -(Stub Shaft) (5/16-18x1.3)
849A	846235		SCREW -(Stub Shaft) (M8x28mm)
849B	807421		SCREW -(Stub Shaft) (M6x25mm)
849C	596370		SCREW -(Stub Shaft) (5/16-18x1.1)
890	809987		BRACKET, Support -(Rotating Screen)
934	841205		SCREW -(Fan Retainer) (M6x24mm)
1005	846995		FAN, Flywheel -(Used Without Rotating Screen) -Used After Code Date 15080600
1005A	846996		FAN, Flywheel -(Used With Rotating Screen) -Used After Code Date 15080600
1005B	847199		FAN, Flywheel -Used Before Code Date 15080700
1006	847198		RETAINER, Fan
1006A	846495		RETAINER, Fan
1070	807435		SCREW -(Flywheel Fan)
1372	809946		STUD -(Rotating Screen)
1378	844795		SET, Washer/Nut -(Flywheel)

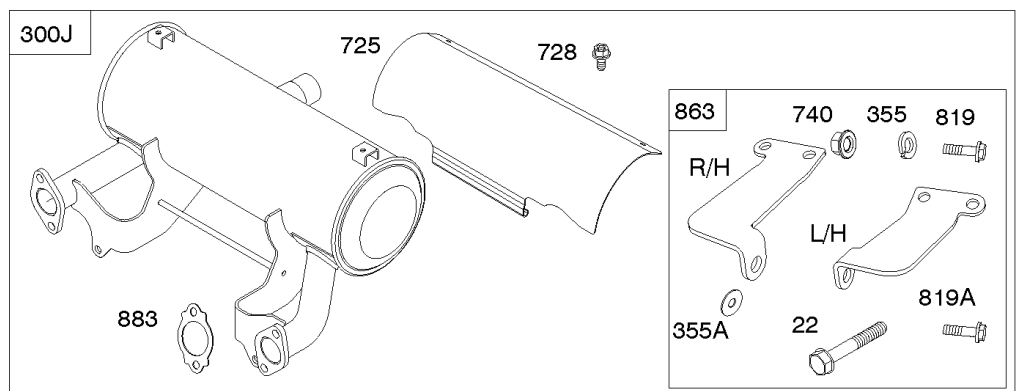
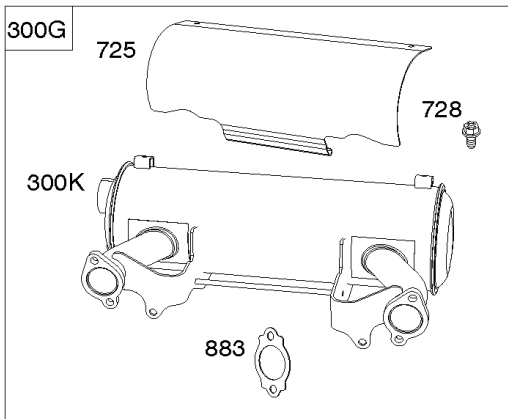
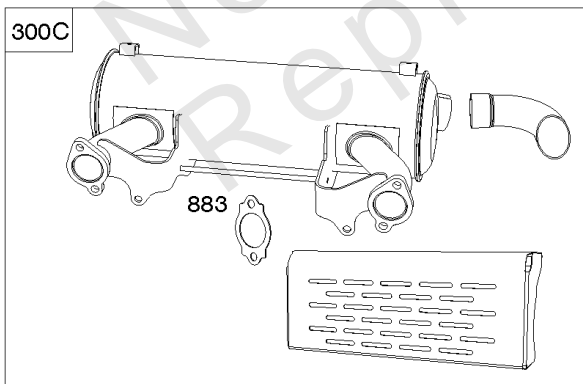
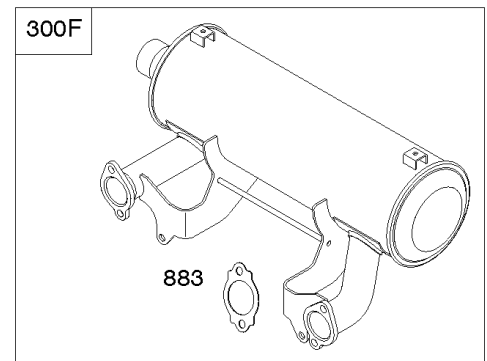
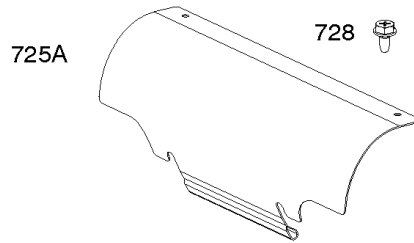
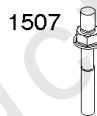
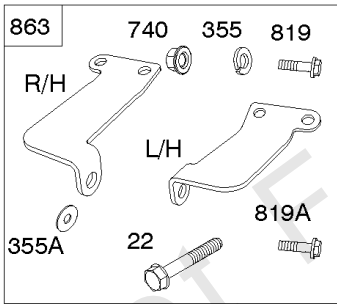
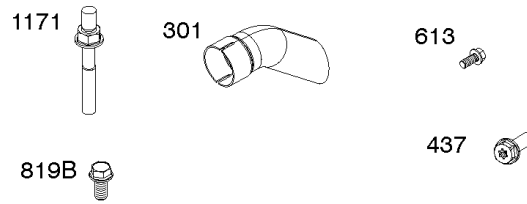
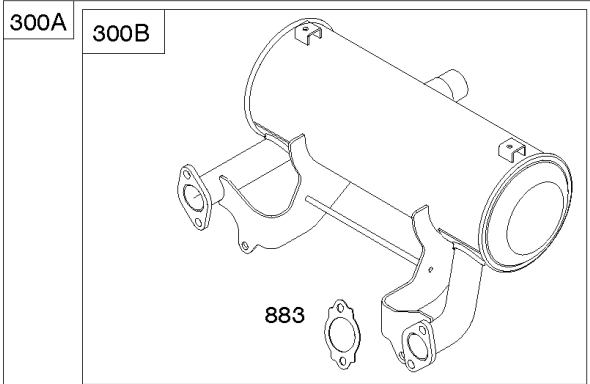
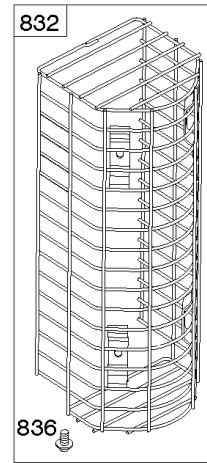
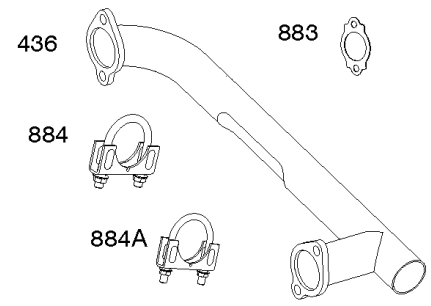
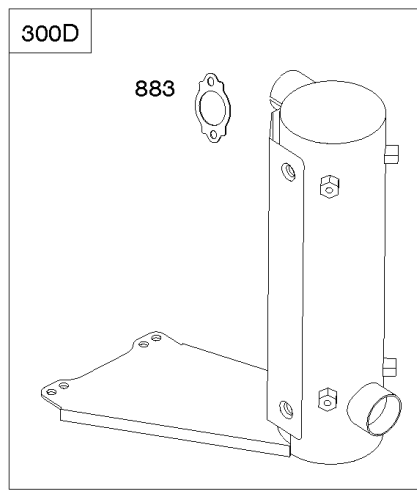
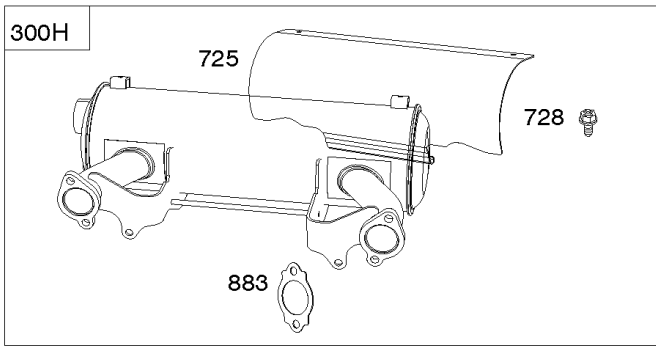
# Intake Elbows, Intake Manifold, Purge Lines

Mfg. No: 613477-2192-J1



## Intake Elbows, Intake Manifold, Purge Lines

REF NO	PART NO	QTY	DESCRIPTION
50	844340		MANIFOLD, Intake
51	841592		GASKET, Intake
51A	809910		GASKET, Intake -(Intake Hole Diameter - 30mm)
51B	841882		GASKET, Intake -(Intake Hole Diameter - 32mm)
54	844656		SCREW -(Intake Manifold) (M6x69mm)
98	841842		KIT, Idle Speed -(Intake Elbow)
122	846245		SPACER, Carburetor
122A	844713		SPACER, Carburetor
163	807375		GASKET, Air Cleaner
163A	843117		GASKET, Air Cleaner -Used After Code Date 06062200
163B	841852		GASKET, Air Cleaner -Used Before Code Date 06062300
186A	844568		CONNECTOR, Hose -(Intake Manifold)
186B	845121		CONNECTOR, Hose -(EVAP)
290	809911		SCREW -(Intake Elbow) (M6x55mm)
290A	807421		SCREW -(Intake Elbow) (M6x25mm)
365	807437		SCREW -(Carburetor/Throttle Body) (M6x85mm)
365A	841853		SCREW -(Carburetor/Throttle Body) (M6x103mm)
415	794903		PLUG
431	841539		ELBOW, Intake
431A	841854		MANIFOLD, Intake -Used Before Code Date 06062300
431A	843116		ELBOW, Intake -Used After Code Date 06062200
431B	845505		MANIFOLD, Intake
431C	845920		ELBOW, Intake
431D	809896		ELBOW, Intake
587A	807116		CLAMP, Tube -(Purge Line Hose)
601C	691038		CLAMP, Hose -(Black)
889	845918		TEE
918	844525		HOSE, Vacuum -(Formed Hose) (Cut to Required Length)
964	590799		CAP, Connector
1130	841590		STUD -(Intake Manifold) -Used Before Code Date 10092900
1174	842067		NUT -(Intake Manifold) -Used Before Code Date 10092900
1425A	844712		HOSE, Purge Line -(Cut To Required Length)





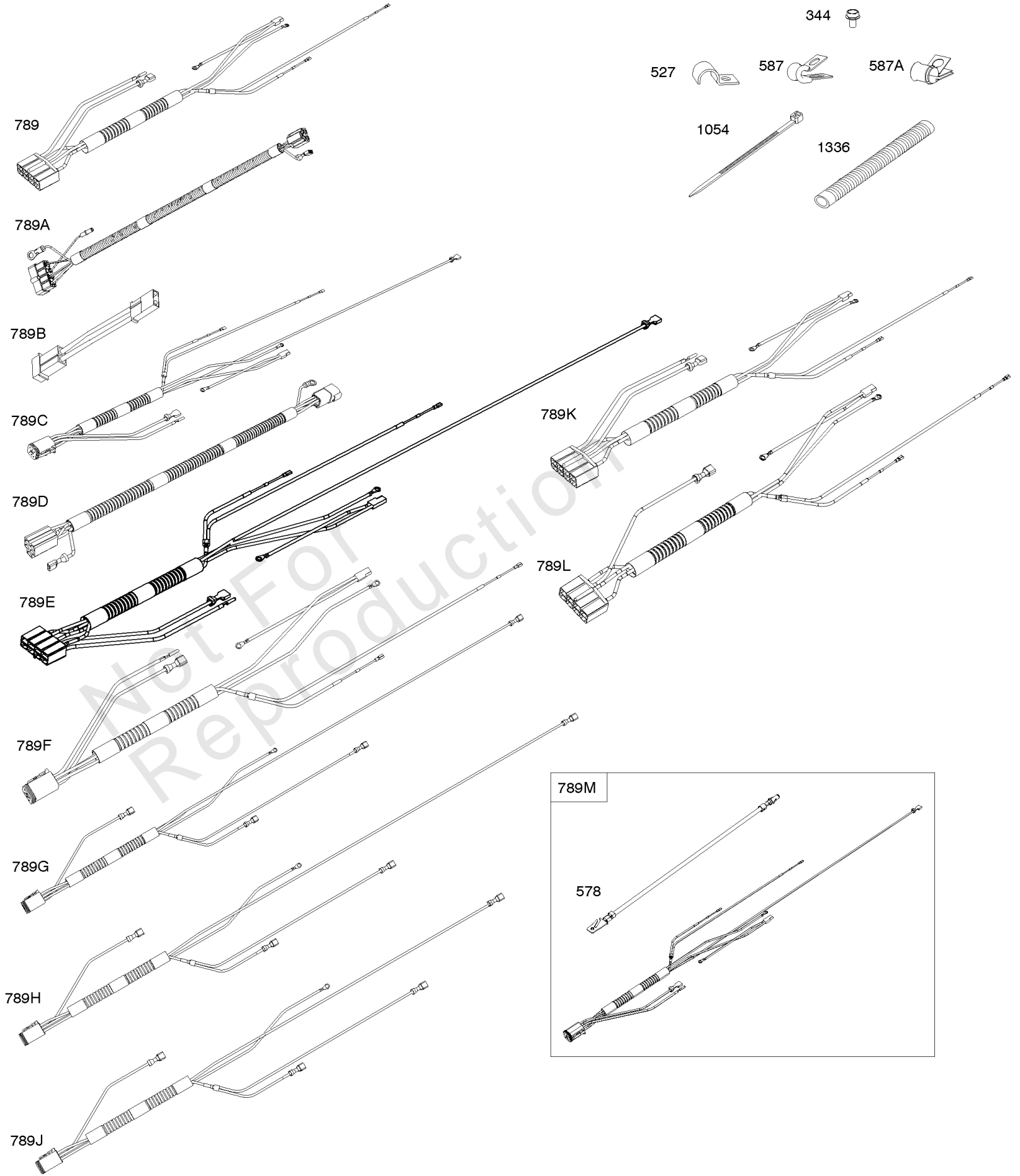
## Mufflers

REF NO	PART NO	QTY	DESCRIPTION
22	807362		SCREW -(Crankcase Cover/Sump) (M8x50mm)
300C	841836		MUFFLER -(Starter Motor Side Outlet)
355	844035		WASHER -(Muffler Bracket) (Flat Washer)
355A	691075		WASHER -(Muffler Bracket) (Lockwasher)
437	846149		SCREW -(Exhaust Manifold) (M8x25mm)
613	692062		SCREW -(Muffler) (M8x18mm)
725	841132		SHIELD, Heat -(Black)
728	692067		SCREW -(Heat Shield) (M6x12mm)
740	690941		NUT -(Muffler Bracket)
819	692062		SCREW -(Muffler Bracket) (M8x18mm)
819A	807362		SCREW -(Muffler Bracket) (M8x50mm)
819B	690932		SCREW -(Muffler Bracket) (M5x10mm)
863	843487		BRACKET, Muffler -(Mud Boat Applications)
883	809872		GASKET, Exhaust
1171	846324		STUD -(Rocker Cover)
1507	846324		STUD -(Muffler Bracket)

## Replacement Engine - US & Canada

REF NO	PART NO	QTY	DESCRIPTION
	6134773079	1	Replacement Engine
	791245	1	Replacement Short Block
	-----		Top No-Load Speed: 3800 -Trim: ALL
	-----		Service Note: Transfer the Muffler and/or Spark Arrester Assembly from the original engine if suitable for additional service, or add new parts as required. In some cases it maybe necessary to transfer the Oil Filter Adapter to the replacement engine.
	-----		Service Note: For all Go-Karts use only a Model 136200 series engine as a replacement, regardless of the original Model.
	-----		Service Note: If the original engine is equipped with a Six Pin Wiring Harness transfer to the replacement engine.
	-----		Service Note: Transfer the Blower Housing , Speed Sensor Assembly and related parts from the original engine to the replacement engine.

Not For Reproduction



## Wiring Harness', Wire Clamps

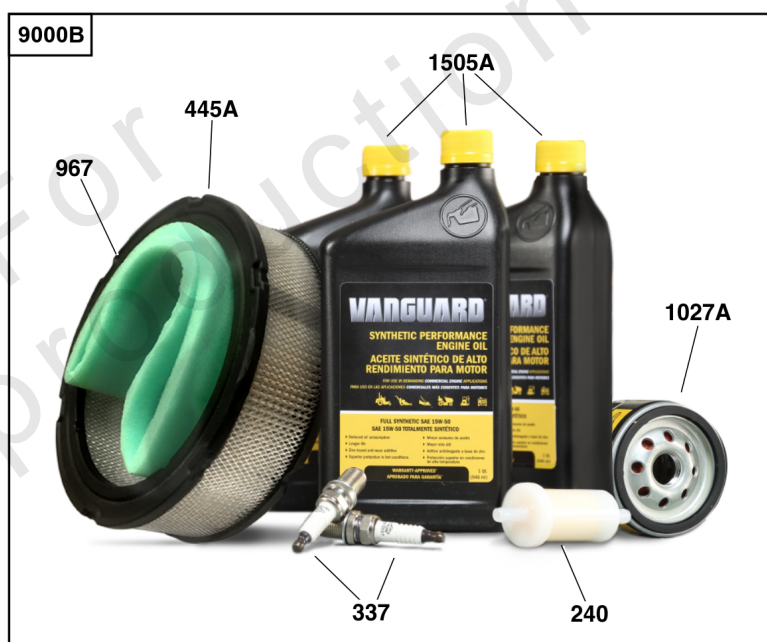
REF NO	PART NO	QTY	DESCRIPTION
344	841233		SCREW -(Cable Clamp)
527	690423		CLAMP, Tube
578	847202		WIRE ASSEMBLY
587	846866		CLAMP, Cable
587A	807116		CLAMP, Tube -(Purge Line Hose)
789C	843612		HARNESS, Wiring -Used Before Code Date 15110200
789D	843613		HARNESS, Wiring -Used Before Code Date 15110200
789M	846951		HARNESS, Wiring -Used After Code Date 15110100
1054	280275		TIE, Cable
1336	841015		SHIELD, Wire Protective

Not For Reproduction



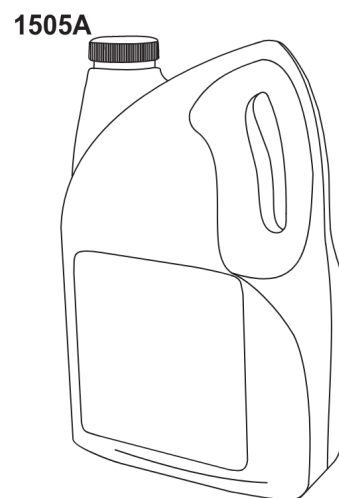
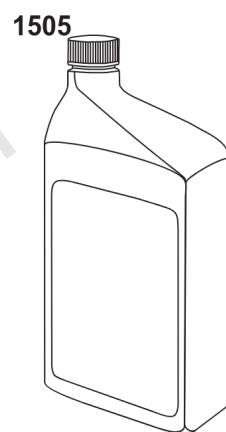
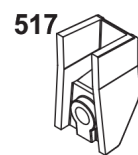
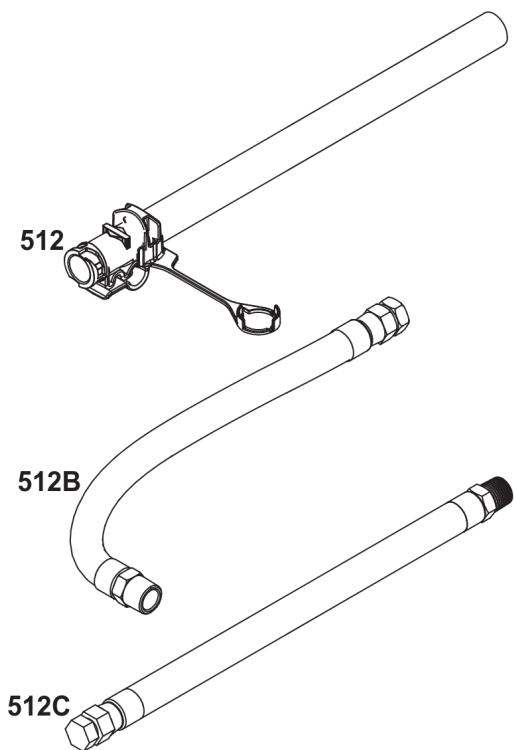
# Model 54-61 Engine Accessories Catalog

Not For  
Reproduction



## Maintenance Kits

REF NO	PART NO	QTY	DESCRIPTION
9000	84002318		KIT, Maintenance -(Oil Guard™ Engines)
9000A	84002315		KIT, Maintenance -(Non-Oil Guard™ Engines)
9000B	84004936		KIT, Maintenance -(Non-Oil Guard™ Engines) (20 - 40 HP)
240	845125	1	FILTER, Fuel
337	491055S	2	PLUG, Spark
445	841497	1	FILTER, A/C Cartridge -"Professional / PXi" & "Commercial / CXi".
445A	692519	1	FILTER, A/C Cartridge -"Professional / PXi" & "Commercial / CXi".
967	692520	1	FILTER, Pre Cleaner
1027	595930	1	FILTER, Oil -(Oil Guard™)
1027A	842921	1	FILTER, Oil -(Vanguard®)
1505	100170		OIL-5QT VANGUARD (CASE) -(5 qt Bottle)
1505A	100169		OIL-1QT VANGUARD (CASE) -(1 qt Bottle)

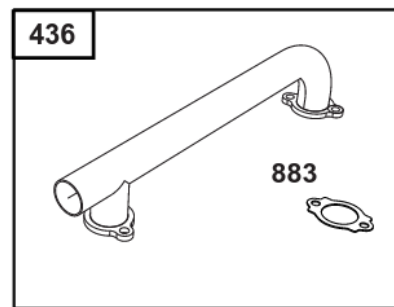
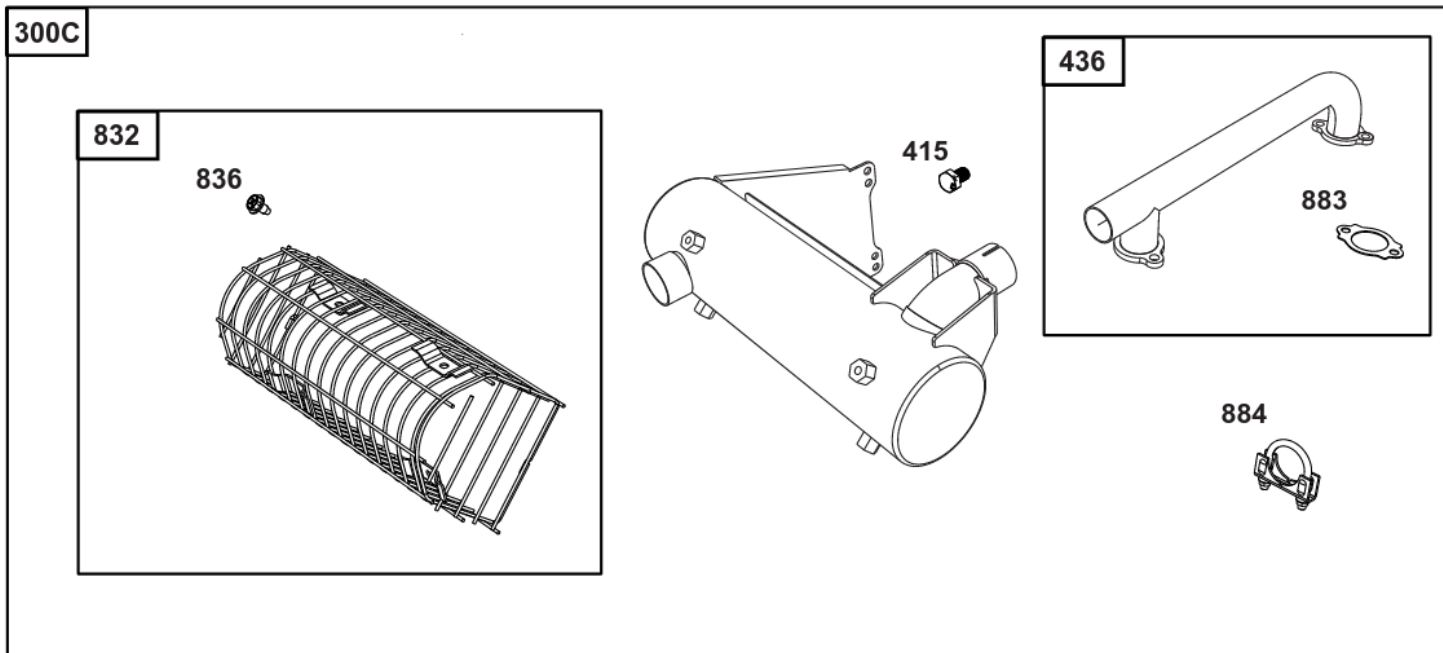
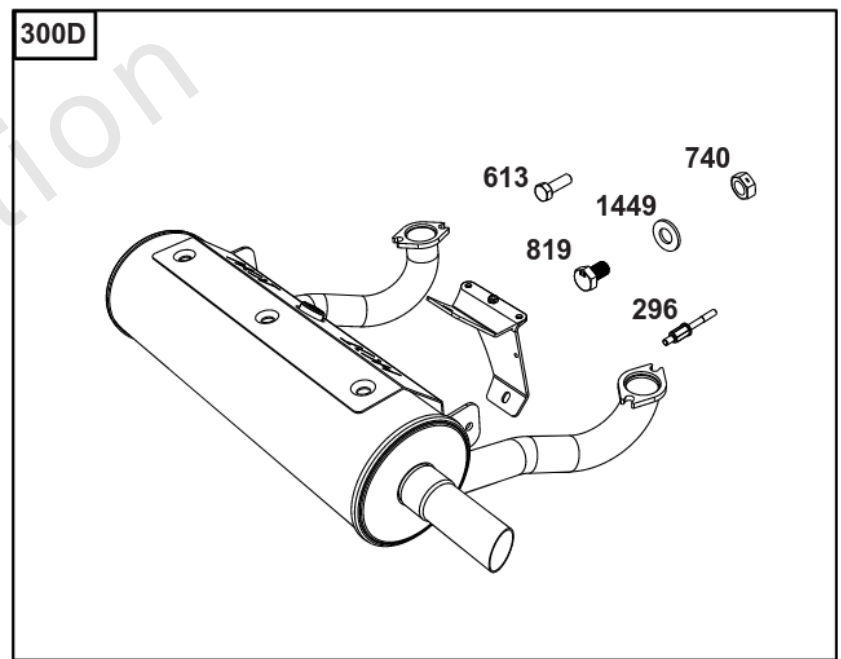
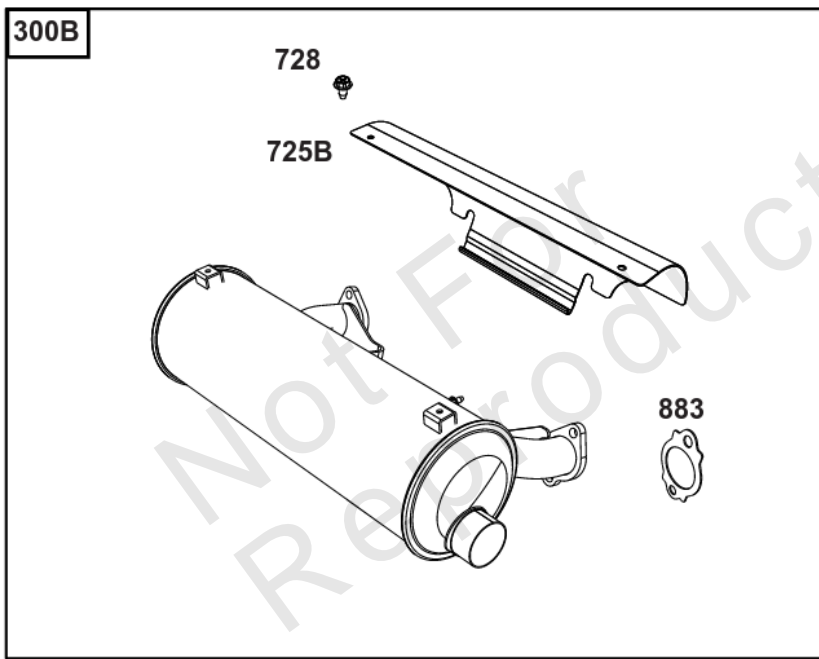
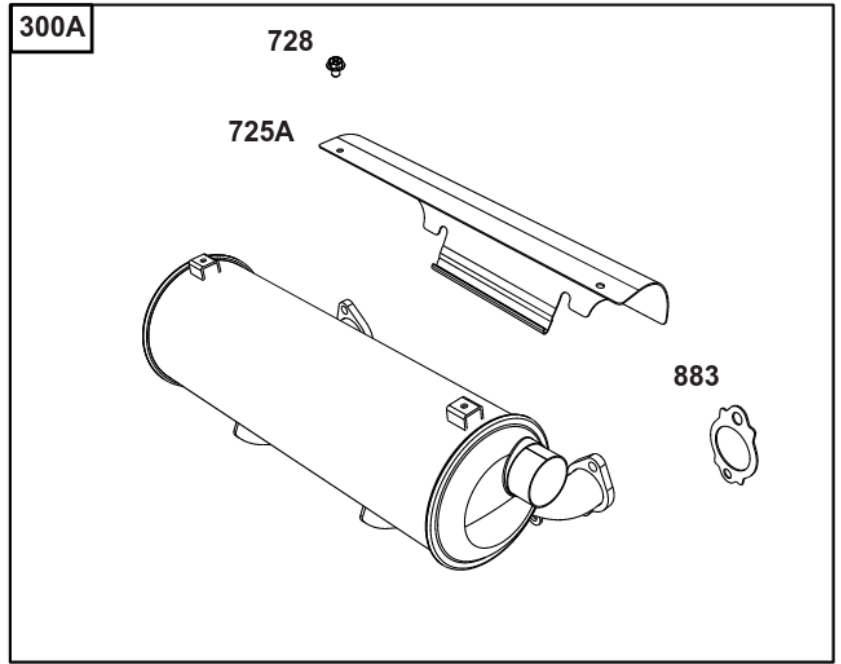
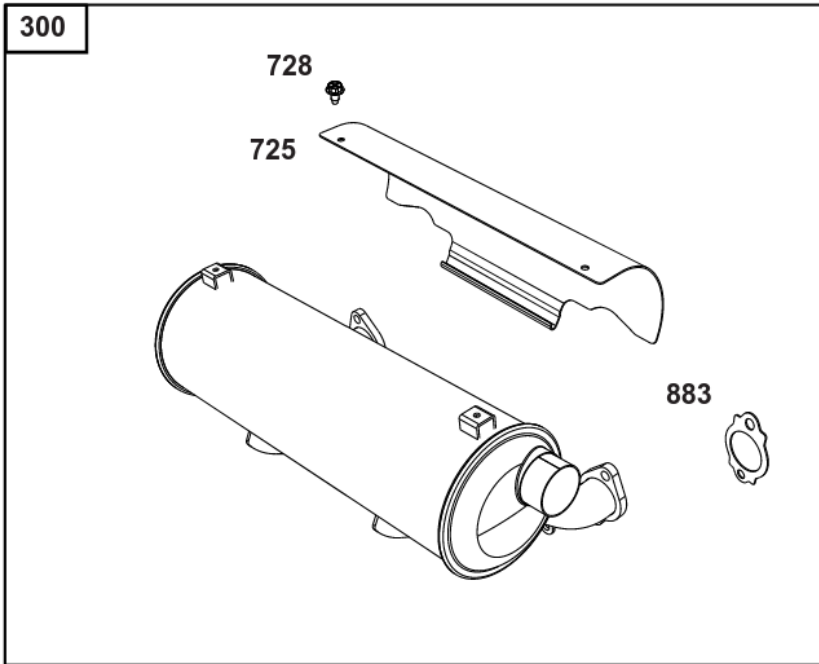


Not For  
Reproduction



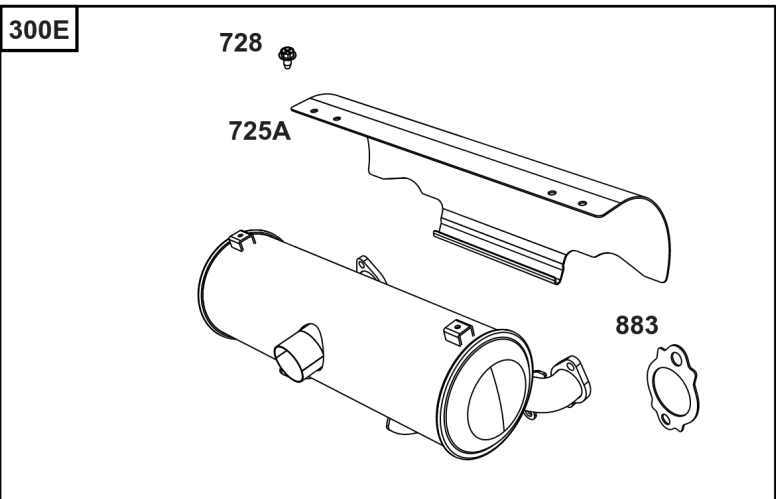
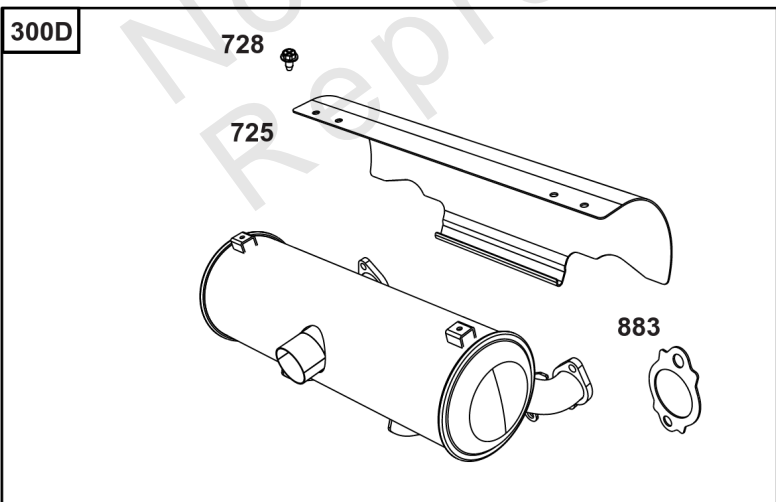
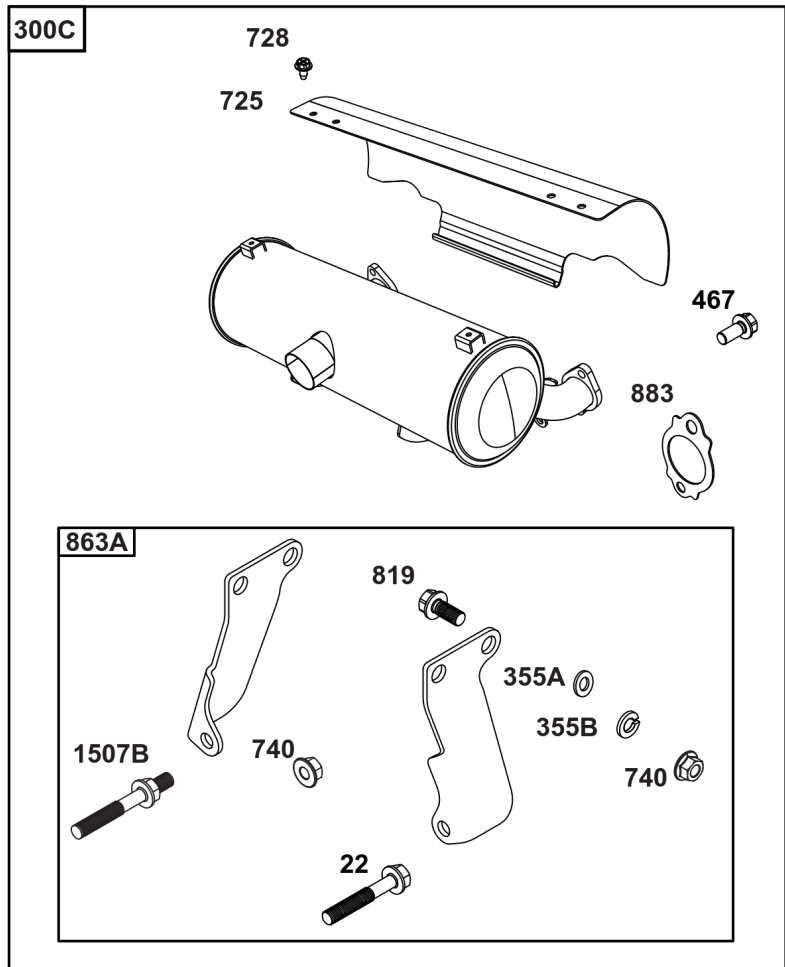
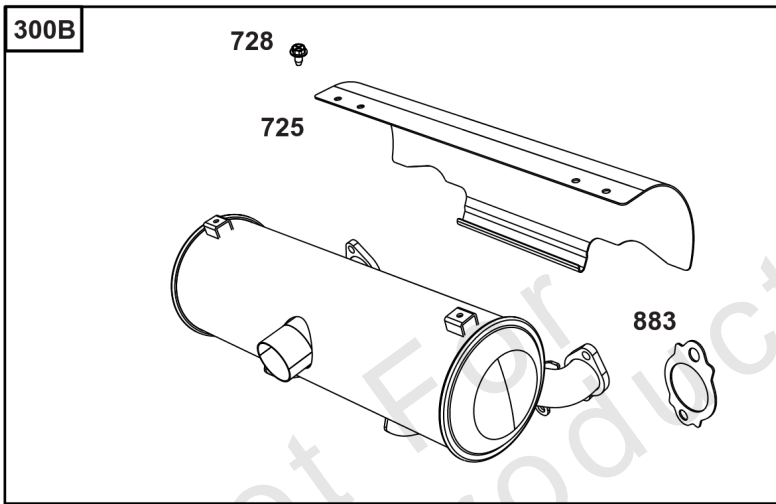
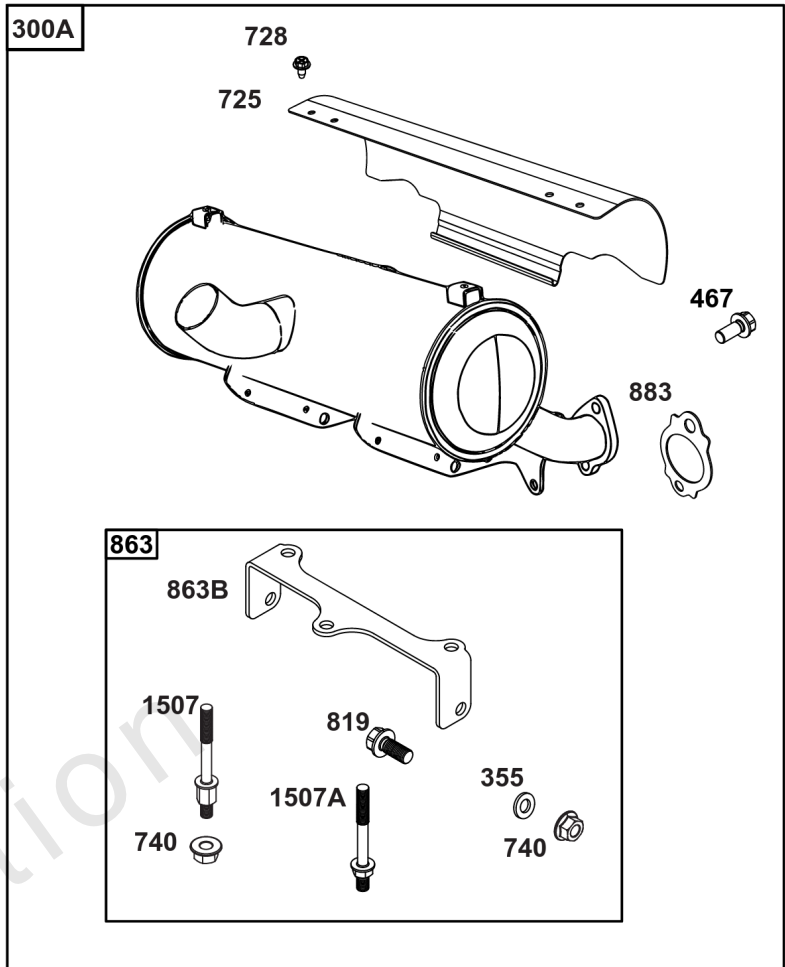
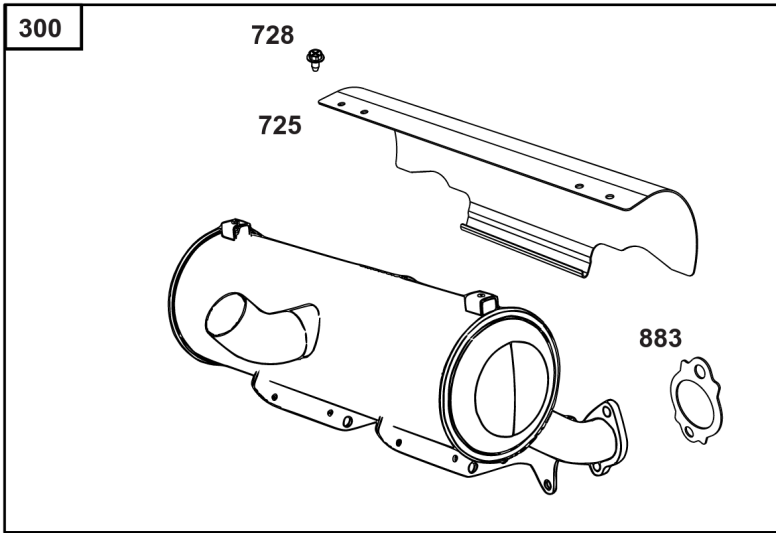
## Lubrication

REF NO	PART NO	QTY	DESCRIPTION
186	796532	1	CONNECTOR, Hose -(Threaded Engine Block Connector for EZ-Oil Drain Hose)(Order hose separate)
239	690233	1	SWITCH, Oil Pressure -(2-4 PSI Normally-Closed Switch)
239A	491657S	1	SWITCH, Oil Pressure -(3-5 PSI Normally-Closed Switch)
239B	841281	1	SWITCH, Oil Pressure -(7-10 PSI Normally-Closed Switch)
239C	694115	1	SWITCH, Oil Pressure -(9-13 PSI Normally-Closed Switch)
239D	697049	1	SWITCH, Oil Pressure -(3-6 PSI Normally-Open Switch)
460	1761386YP	1	CONNECTOR, Filter Adapter -(Oil Drain Valve) (Fitting M14, 90 Degree 9/16 JIC)
460A	5100366SM	1	METRIC ADAPTER, M14-1 -(Threaded engine block adapter M14 to 3/8 for EZ-Oil Drain connector) (order 796532 separate)
512	594200	1	HOSE, Oil Drain -(EZ-Oil Drain Hose, 10.5") (Order threaded engine block connector separate)
512	593635	1	HOSE, Oil Drain -(EZ-Oil Drain Hose, 13.75") (Order threaded engine block connector separate)
512B	1723165SM	1	HOSE, Oil Drain, 10-1/2" Long, 3/8-18 Fittings -(10.5")
512C	5048681SM	1	HOSE, OIL DRAIN -(12.5")
517	593633	1	RETAINER, Oil Drain
1346	844802	1	VALVE, Oil Drain Shut Off
1346A	492031	1	VALVE, Oil Drain Shut Off
1505	100169		OIL-1QT VANGUARD (CASE) -(1 qt. Bottle)
1505A	100170		OIL-5QT VANGUARD (CASE) -(5 qt. Bottle)



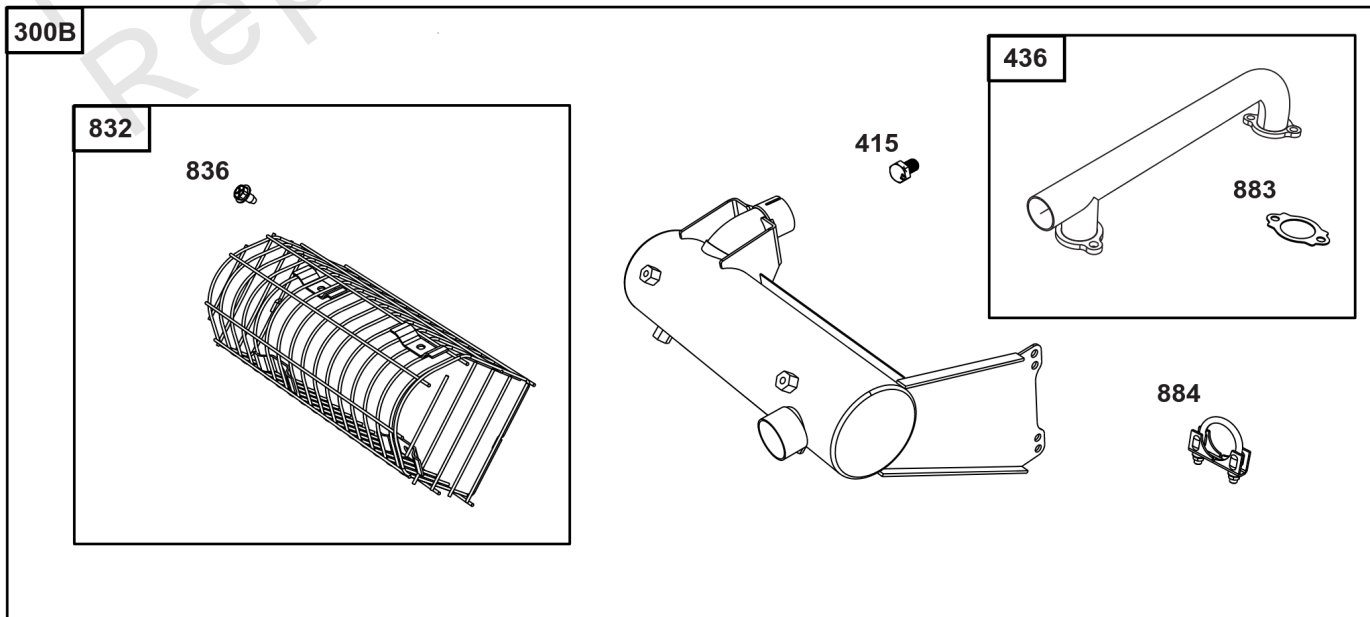
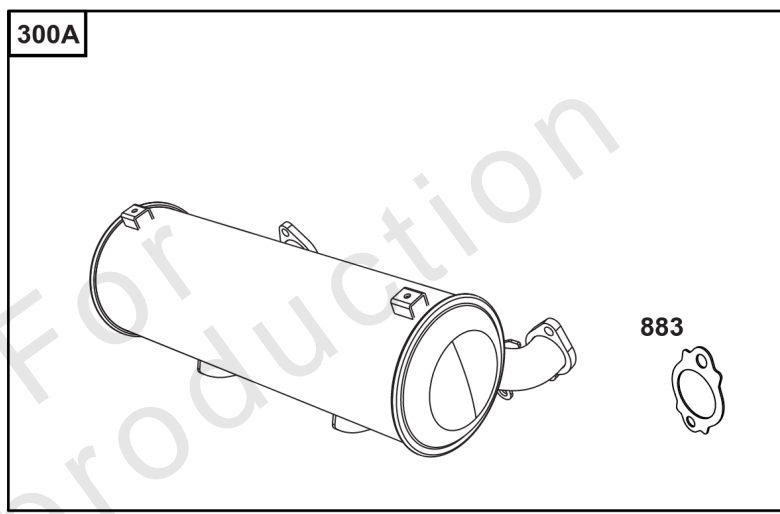
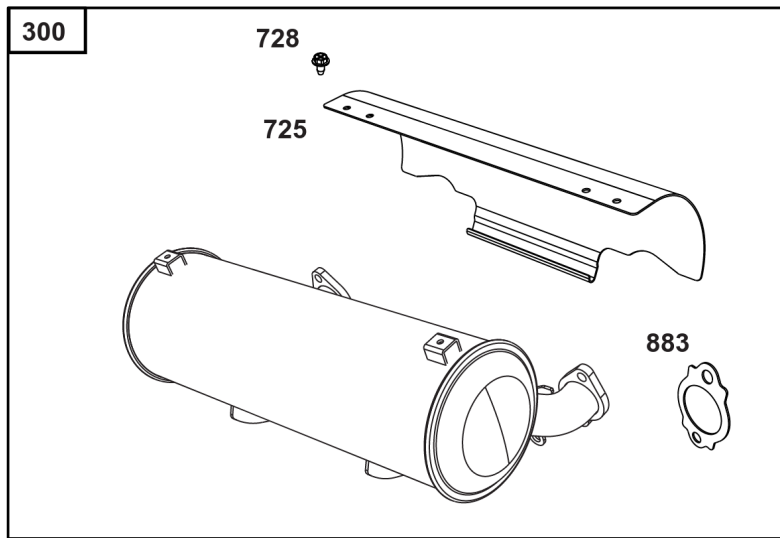
## Oil Filter Side Outlet Mufflers

REF NO	PART NO	QTY	DESCRIPTION
296	844813	4	STUD -(Muffler)
300	846819	1	MUFFLER -(High Mount) (Oil Filter Side Outlet) (EFI)
300A	846246	1	MUFFLER -(Mid Mount) (Oil Filter Side Outlet)
300B	847486	1	MUFFLER -(Mid Mount) (Oil Filter Side Outlet) (EFI)
300C	847278	1	MUFFLER -(Side Mount) (Oil Filter Side Outlet) (EFI)
300D	84007299	1	MUFFLER -(Vertical Shaft)(Oil Filter Side Outlet)
415	596859	1	PLUG
436	841681	1	MANIFOLD, Exhaust
613	596859		PLUG -(Muffler)
725	847229	1	SHIELD, Heat
725A	844338	1	SHIELD, Heat
725B	847487	1	SHIELD, Heat
728	692067	2	SCREW -(Heat Shield)
740	703164	2	NUT -Muffler Bracket
819	5025011X8SM	2	CAPSCREW, Hex Head, 5/16-18 X 1 -(Muffler Bracket)
832	841682	1	GUARD, Muffler
836	841233	4	SCREW -(Muffler Guard)
883	809872	2	GASKET, Exhaust
884	841968	1	CLAMP, Muffler
1449	703350	4	WASHER -(Muffler)



## Center Outlet Mufflers

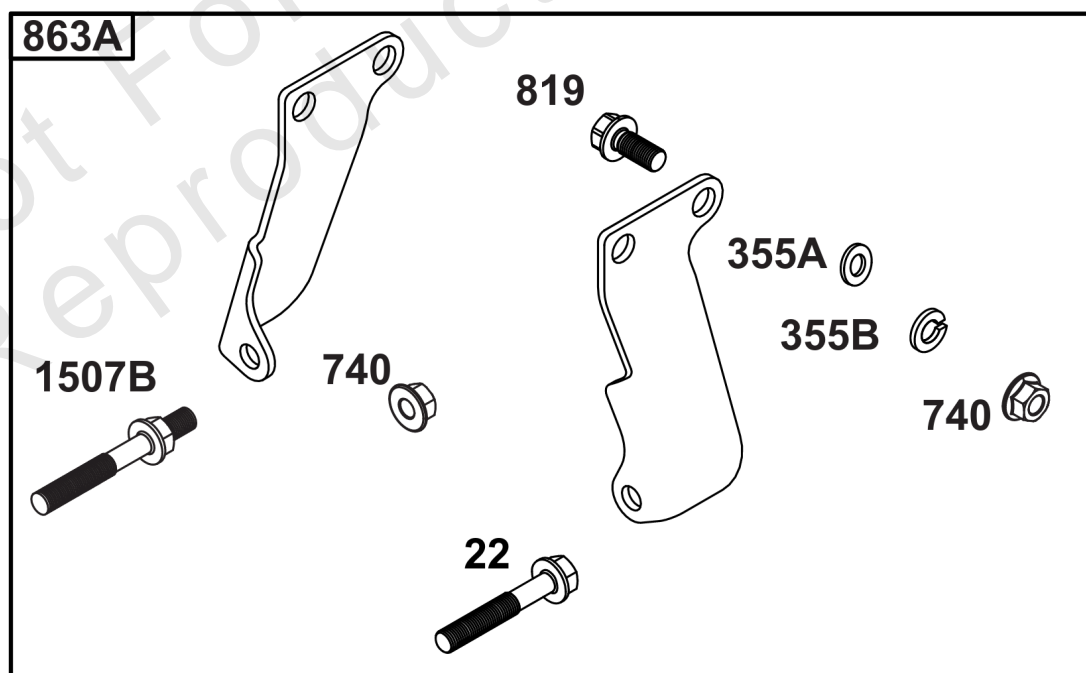
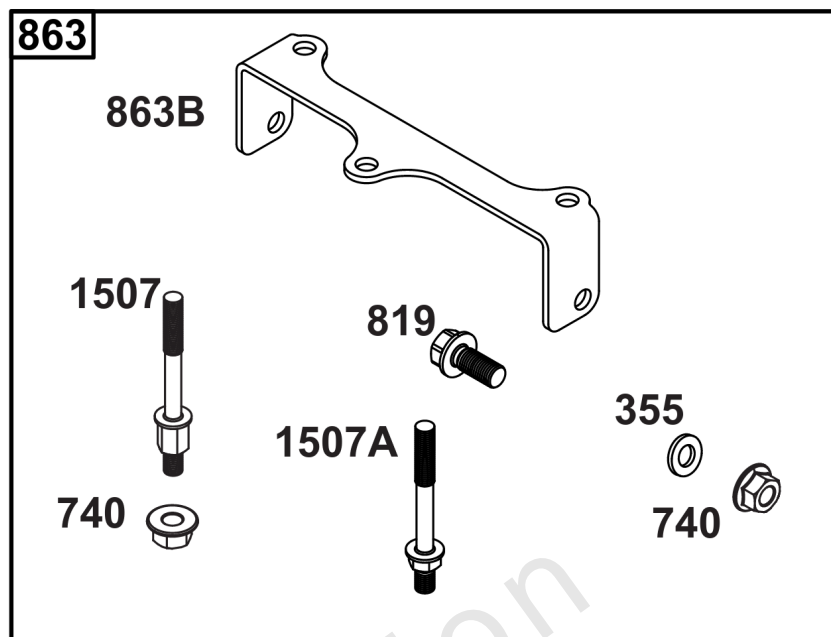
REF NO	PART NO	QTY	DESCRIPTION
22	807362	2	SCREW -(Muffler Bracket)
300	846443	1	MUFFLER -(Vertical Shaft) (Center Outlet) (304 Stainless Steel)
300A	847940	1	MUFFLER -(Vertical Shaft) (Center Outlet) (304 Stainless Steel) (Performance Muffler for 40 HP)
300B	846154	1	MUFFLER -(Horizontal Shaft) (High Mount) (Center Outlet)
300C	847922	1	MUFFLER -(Horizontal Shaft) (High Mount) (Center Outlet) (304 Stainless Steel) (Performance Muffler for 40 HP)
300D	846444	1	MUFFLER -(Horizontal Shaft) (High Mount) (Center Outlet) (304 Stainless Steel)
300E	847478	1	MUFFLER -(Horizontal Shaft) (High Mount) (Center Outlet) (O2 Sensor Port) (EFI)
355	844035	2	WASHER -(Muffler Bracket)
355A	691261	2	WASHER -(Muffler Bracket)
355B	691075	8	WASHER -(Muffler Bracket)
467	846149	4	SCREW -(Exhaust Manifold)
725	841132	1	SHIELD, Heat
725A	847229	1	SHIELD, Heat
728	692067	2	SCREW -(Heat Shield)
740	690941	5	NUT
819	692062	2	SCREW -(Muffler Bracket)
863	848296	1	BRACKET, Muffler
863A	843487	1	BRACKET, Muffler
863B	848296	1	BRACKET, Muffler
883	809872	2	GASKET, Exhaust
1507	848297	1	STUD -(Muffler Bracket)
1507A	848298	2	STUD -(Muffler Bracket)
1507B	846324	2	STUD -(Muffler Bracket)



## Starter Side Outlet Mufflers

REF NO	PART NO	QTY	DESCRIPTION
300	845741	1	MUFFLER -(High Mount) (Starter Side Outlet)
300A	847083	1	MUFFLER -(Starter Side Outlet) (EFI)
300B	847279		MUFFLER -(Side Mount) (Starter Side Outlet) (EFI)
415	596859	1	PLUG
436	842263	1	MANIFOLD, Exhaust
725	841132	1	SHIELD, Heat
728	692067	2	SCREW -(Heat Shield)
832	841682	1	GUARD, Muffler
836	841233	4	SCREW -(Muffler Guard)
883	809872	2	GASKET, Exhaust
884	841968	1	CLAMP, Muffler

Not For Reproduction

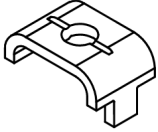




## Muffler Bracket Kits

REF NO	PART NO	QTY	DESCRIPTION
22	807362	2	SCREW -(Muffler Bracket)
355	844035	2	WASHER -(Muffler Bracket)
355A	691261	2	WASHER -(Muffler Bracket)
355B	691075	8	WASHER -(Muffler Bracket)
740	690941	6	NUT -(Muffler Bracket)
819	692062	2	SCREW -(Muffler Bracket)
863	848316	1	BRACKET, Muffler -(Vertical)
863A	843487	1	BRACKET, Muffler -(Horizontal)
863B	848296	1	BRACKET, Muffler -(Vertical)
1507	848297	1	STUD -(Muffler Bracket)
1507A	848298	2	STUD -(Muffler Bracket)
1507B	846324	2	STUD -(Muffler Bracket)

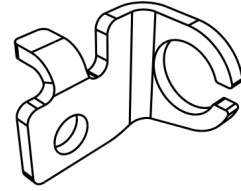
265



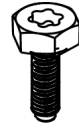
265A



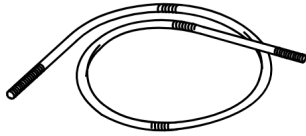
416



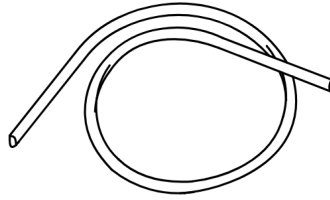
267



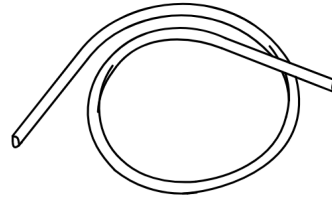
268



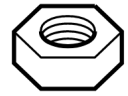
269



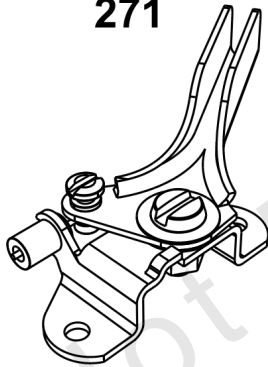
269A



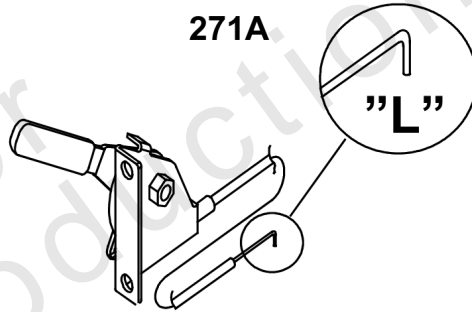
270



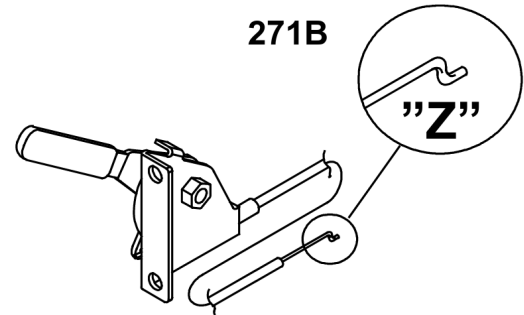
271



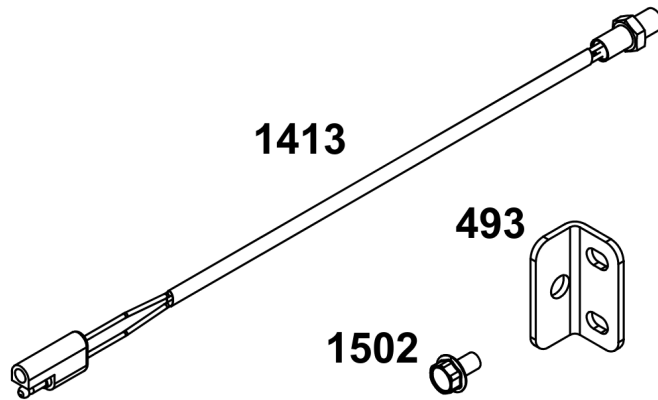
271A



271B



1413



493



1502



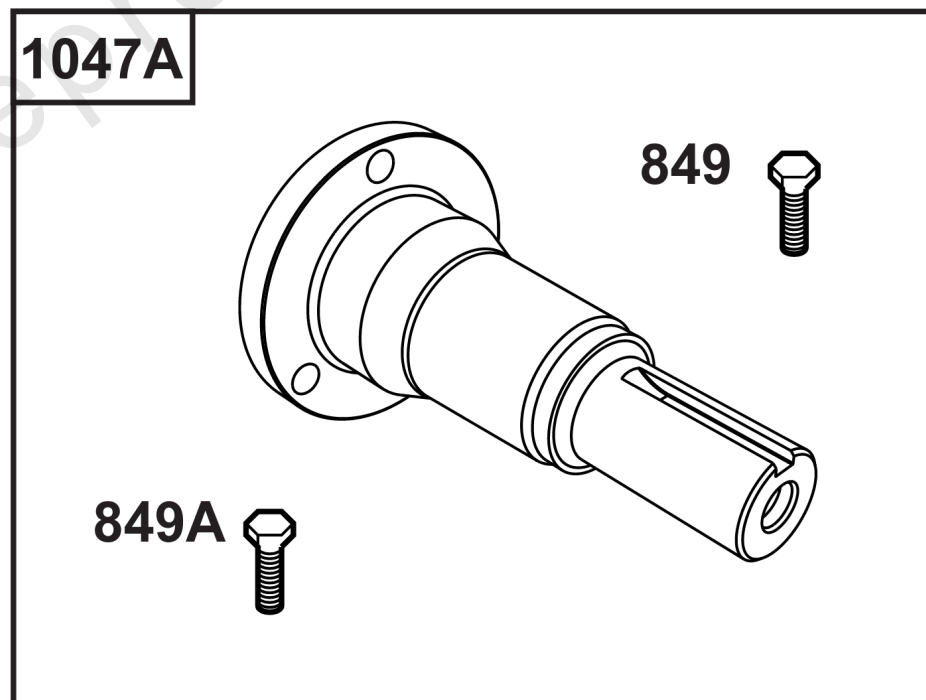
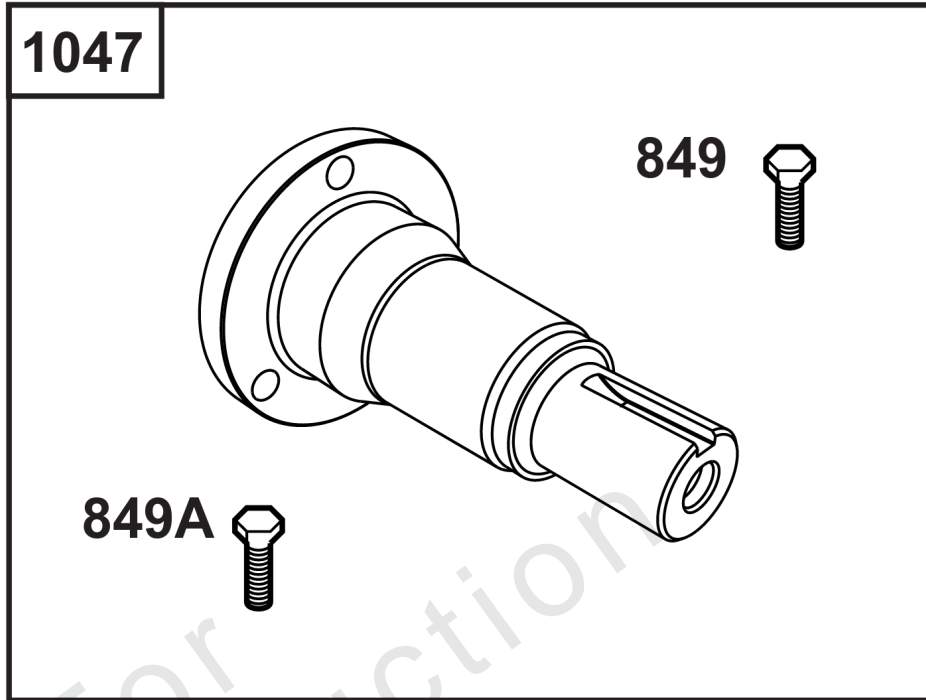
## Speed Control

REF NO	PART NO	QTY	DESCRIPTION
265	691024	1	CLAMP, Casing -(Casing Clamp for Hard Casing)
265A	690798	1	CLAMP, Casing -(Casing Clamp for Soft Casing)
267	792629	1	SCREW -(Screw for Casing Clamp)
268	691025	1	CASING, Control Wire -(Wire Casing 72")
269	691026	1	WIRE, Control -(Control Wire 78")
269A	93907	1	WIRE, Control -(Control Wire 100")
270	691027	1	NUT -(Nut for Wire Casing)
271	691028	1	LEVER, Control
271A	692105	1	LEVER, Control -(Wire with "L" formed end)
271B	692541	1	LEVER, Control -(Wire with "Z" formed end)
416	595196	1	BRACKET, Throttle Cable -(Casing Clamp for Snap-In Casing)
493	842713	1	BRACKET, Mounting -(Speed Sensor)
1413	844449	1	SENSOR, Speed -(Requires 842713 Bracket and two 841233 screws)
1502	841233	2	SCREW -(Speed Sensor)



## Electrical

REF NO	PART NO	QTY	DESCRIPTION
330	847476	1	SENSOR, Oxygen -(Extended Length O2 Sensor 23.5")
415	1714480SM	1	PLUG -(Plug for Ignition Switch Removal)
789	809967	1	HARNESS, Wiring -(Wire Harness Extension 8 Pin – 22") (Use with standard key switch 692318 or water/dust resistant key switch 847448)
789A	846776	1	HARNESS, Wiring -(Wire Harness Extension 6 Pin – 22") (Use with standard key switch 692318 or water/dust resistant key switch 847448)
789B	847017	1	WIRE ASSEMBLY -(Wire Harness Extension for 847016 Tach 32")
853	80028618	1	ADAPTER, Wire -(Wire Harness Adapter 6 Pin to 8 Pin)
983	5103809YP	1	LIGHT, Indicator -(MIL Light Indicator, LED Red)
1518	847016	1	TACHOMETER -(Tach, Hour Meter with MIL Light for EFI Engines)
1616	19626	1	CODE READER -(Tiny Scan)

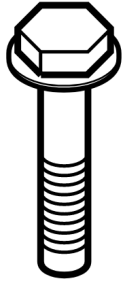


## Stub Shafts

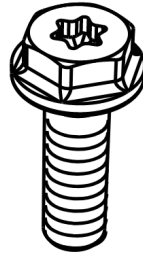
REF NO	PART NO	QTY	DESCRIPTION
849	596370	3	SCREW -(Stub Shaft)
849A	846235	3	SCREW -(Stub Shaft)
1047	841304	1	SHAFT, Stub -(Flywheel Mounted) (1-1/8" diameter, 148 mm length)
1047A	843342	1	SHAFT, Stub -(Flywheel Mounted) (1-1/8" diameter, 176 mm length)

Not For Reproduction

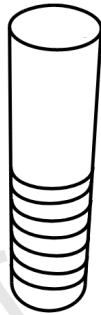
613



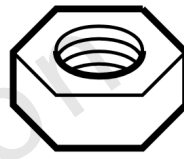
437



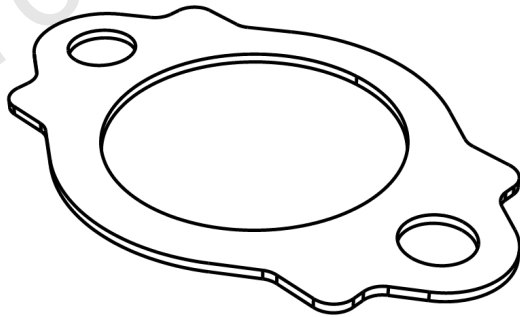
151



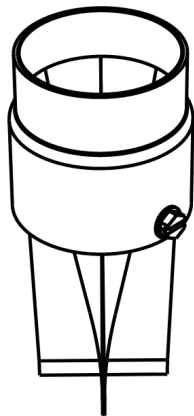
1177



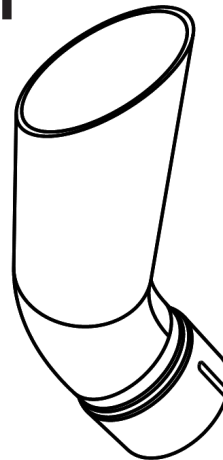
883



994



301

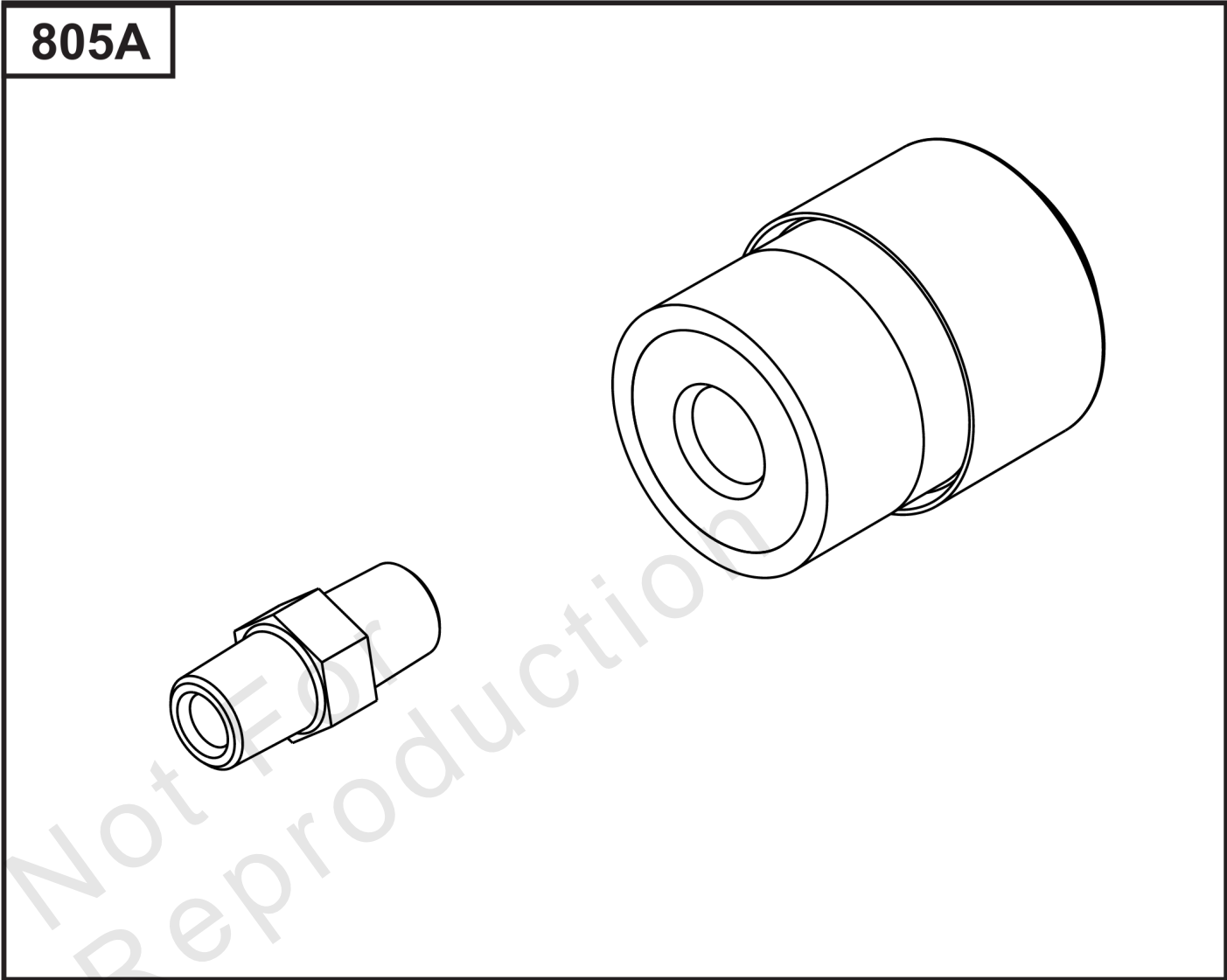




## Spark Arrester/Deflector

REF NO	PART NO	QTY	DESCRIPTION
151	841185	4	STUD -(4 per engine)
301	841518	1	PIPE, Exhaust -(For 44.7 O.D. muffler outlet pipe) (Requires clamp 843624)
437	809743	4	SCREW -(M8 x 25 for Mounting Mufflers) (4 per engine)
613	692062	4	SCREW -(M8 x 18 for Mounting Mufflers) (4 per engine)
883	809872	2	GASKET, Exhaust -(2 per engine)
994	843204	1	ARRESTOR, Spark -(1.75") (44.7 mm) (O.D. Outlet Tube)
1177	842067	4	NUT -(Required if using 841185 stud)

Not For Reproduction



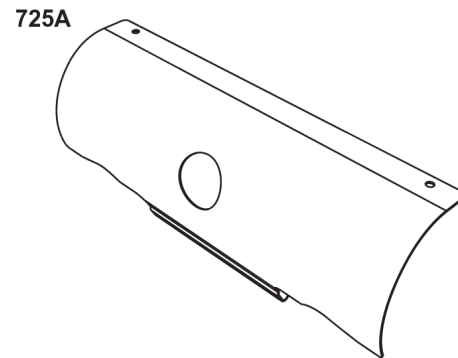
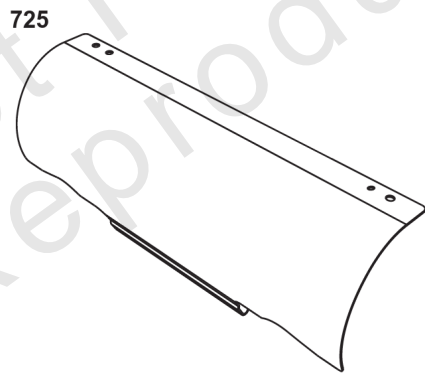
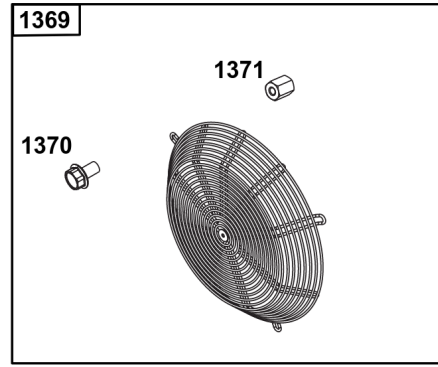
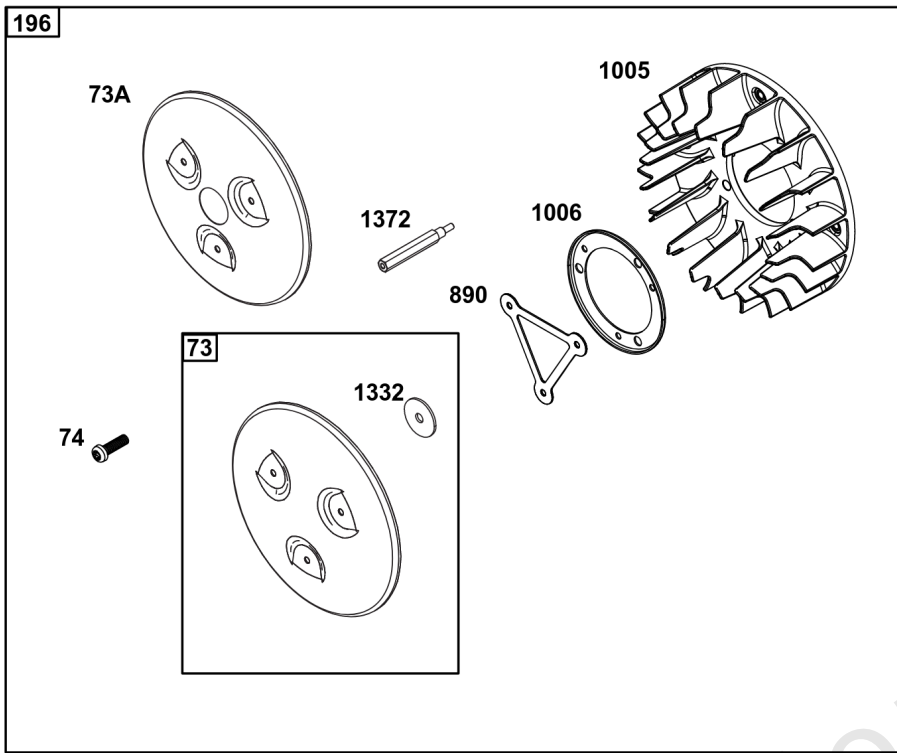
## *Air Intake*

---

REF NO	PART NO	QTY	DESCRIPTION
805A	843024	1	MINDER, Filter

---

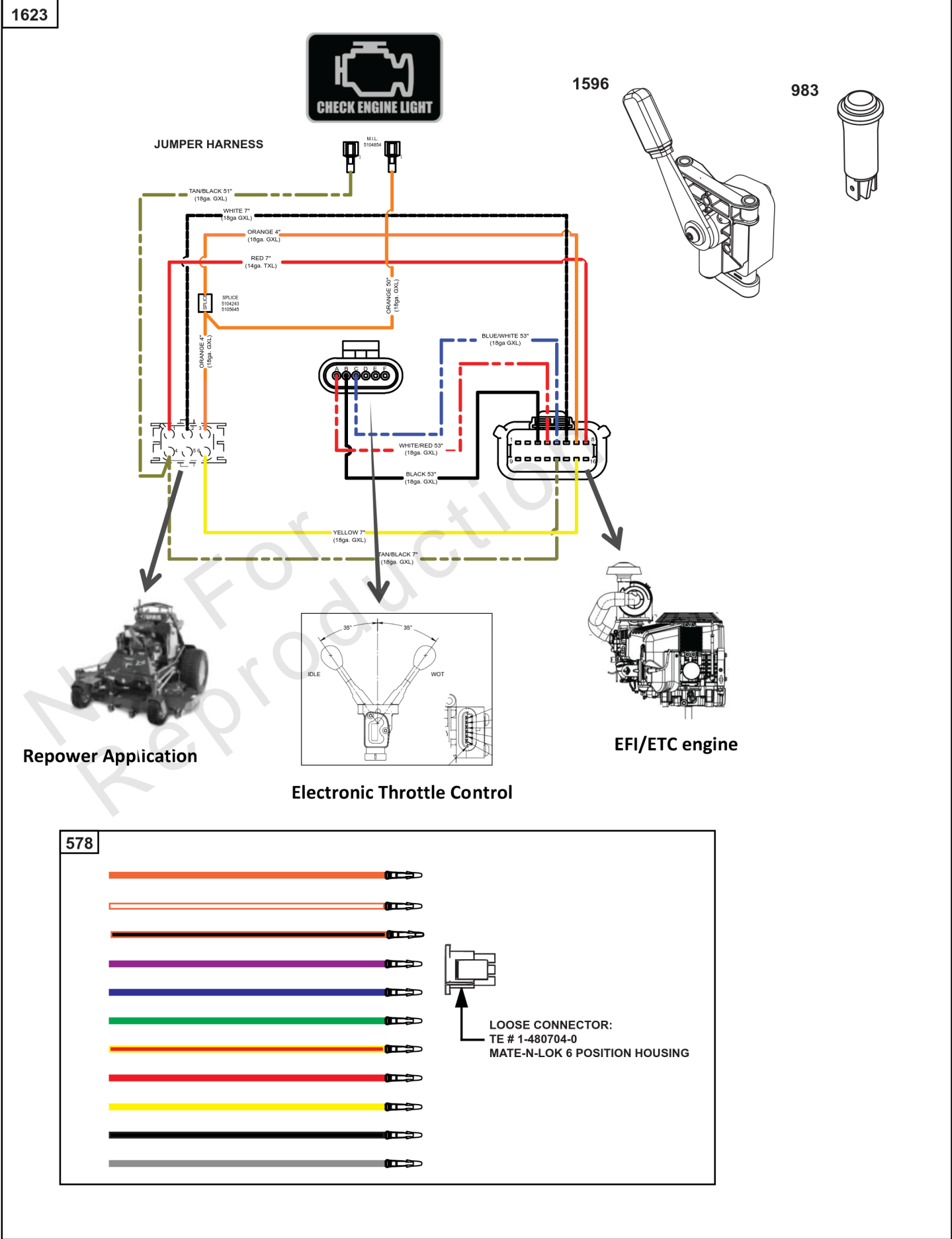
Not For Reproduction



## Guarding

REF NO	PART NO	QTY	DESCRIPTION
73	841840	1	SCREEN, Rotating
73A	842248	1	SCREEN, Rotating
74	809947	3	SCREW -(Rotating Screen) (M6x20mm)
196	847200	1	GUARD, Flywheel Fan
725	841132	1	SHIELD, Heat -(Requires 2 x 692067 Screw)
725A	847229	1	SHIELD, Heat -(With 02 Sensor Hole) (EFI)
890	809987	1	BRACKET, Support
1005	846996	1	FAN, Flywheel
1006	847198	1	RETAINER, Fan
1332	809948	3	WASHER
1369	995019	1	FAN/SCREEN ASSEMBLY
1370	841233	4	SCREW -(Flywheel Fan Guard)
1371	841537	4	NUT -(Flywheel Fan Guard)
1372	809946	3	STUD

Not For Reproduction



## ***Electronic Throttle Kit***

<b>REF NO</b>	<b>PART NO</b>	<b>QTY</b>	<b>DESCRIPTION</b>
578	84007350	1	WIRE ASSEMBLY
983	5103809YP	1	LIGHT, Indicator
1596	84007271	1	LEVER, Electronic Throttle
1623	84008670	1	KIT, Throttle Assembly -(Analog Electronic Throttle Control)

Not For Reproduction

# **WANGUARD<sup>®</sup>**

**COMMERCIAL POWER**



**BRIGGS & STRATTON<sup>®</sup>**